

**DATASHEET**

## SWIVEL MOUNTING BASE ( 180° X AXIS & 180° Y AXIS )

PART NO :  
IHMB-08-XY

OLD DWG. NO: DP-5.8/10-346

DATE: MAR.2019

REVISION : 04

SCALE : N.T.S

SHEET: 1 OF 1

APPD. BY : *[Signature]*

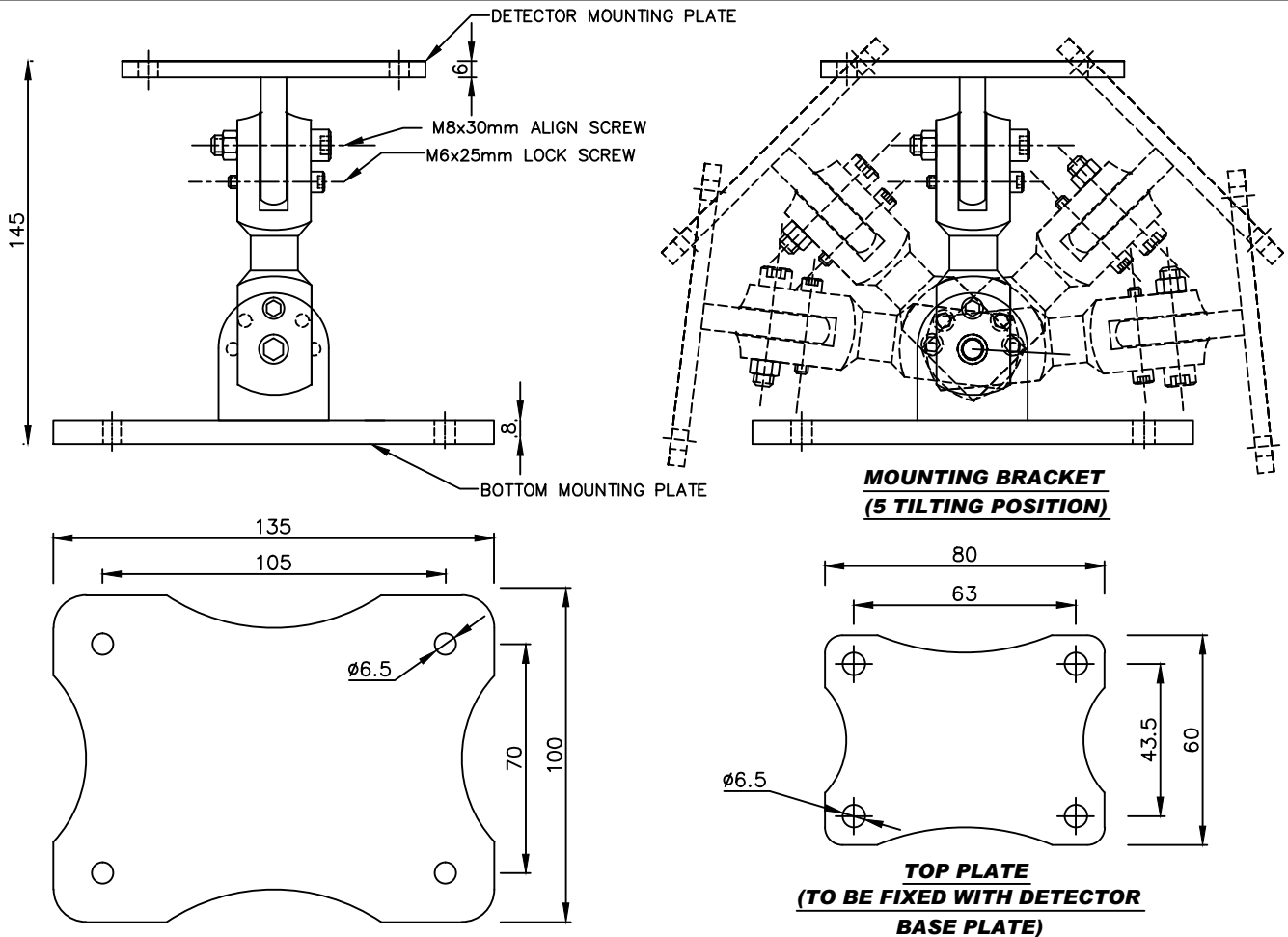
NEW DWG. NO.: DP-5.8/MT-042

REV-01-MAY.2014: 1.REMOVE THE COUPLING ARRANGEMENT. 2.LOCK SCREW SIZE CHANGED, REV-02-JAN2016: TILTING ARRANGEMENT CHANGED.  
REV-03-MAY.2016 : TILTING ARRANGEMENT CHANGED FROM 3 POSITION TO 5 POSITION.  
REV-04-MAR.2019: REV 04 IS THE SAME REV 03 EXCEPT FOR ADDING ISO 9001:2015

**INTRODUCTION :-**

MOUNTING BASE CAN BE TILTED UPTO 160° ANGLE IN X AXIS AND Y AXIS. FLADET SERIES DETECTOR IH8166/ IH8224/IH8225/ IH8227 CAN BE FIXED ON THIS BASE AND VIEW ANGLE CAN BE ADJUSTED AS PER REQUIREMENT. THE MOUNTING BASE CAN BE LOCKED AT 5 DIFFERENT POSITIONS

**NOTE:** THIS DATASHEET CAN BE ALSO REFERRED AS DOC. NO: DP-5.8/CP-042



**NOTE :**

1. ALL DIMENSIONS ARE IN "mm" UNLESS OTHERWISE SPECIFIED.
2. TOLERANCE ON DIMENSION  $\pm 3$  mm, UNLESS OTHERWISE SPECIFIED.
3. IF TILTING BASE IS SUBJECTED TO VIBRATION, IT IS RECOMMENDED TO USE SPECIAL LOCKING ARRANGEMENT USING M6X25MM SCREW PROVIDED WITH THE BASE. BRACKET CAN BE TILTED AT 5 ANGLES(-90°, -45°, +45°, +90°) ( $\pm 10^\circ$  TOLERANCE).

**TECHNICAL SPECIFICATION**

01.	MANUFACTURER	AGNI CONTROLS - CHENNAI	06.	FASTENERS	SS 304
02.	CONSTRUCTION	MS SHEET			
03.	OVERALL SIZE	135 (L) X 100 (W) X 145 (H)			
04.	FINISHING	POWDER COATING BLACK SHADE			
05.	TILTING ANGLE	10° - 170° IN X AXIS 10° - 170° IN Y AXIS			

**IMPORTANT:**

AGNI CONTROLS RESERVES THE RIGHT TO CHANGE OR MODIFY WITHOUT PREVIOUS NOTICE ANY DATA OR SPECIFICATION DUE TO CHANGES OR MODIFICATION IN ORDER TO IMPROVE THE PRODUCTS/SYSTEM PRESENTED.

**AGNI CONTROLS  
CHENNAI**  
NO.1, 6TH STREET, Dr.SUBBARAYAN NAGAR,  
KODAMBAKKAM, CHENNAI-600 024, INDIA.  
PHONE : +91 44 2481 2420,  
E-MAIL : [engineering@agnicontrols.com](mailto:engineering@agnicontrols.com) WEBSITE : [www.balafire.com](http://www.balafire.com)

**ISO 9001 - 2015  
CERTIFIED BY  
BUREAU VERITAS**