

# fladet<sup>®</sup> SERIES...

**DATASHEET**

## FLAME PROOF UV-IR FLAME DETECTOR WITH VISUAL SIGNAL

PART NO : IH8227-VID

DOC. NO: DP-5.8/MT-576

DATE: OCT. 2022

REV : 01

SCALE : N.T.S

SHEET : 1 OF 2

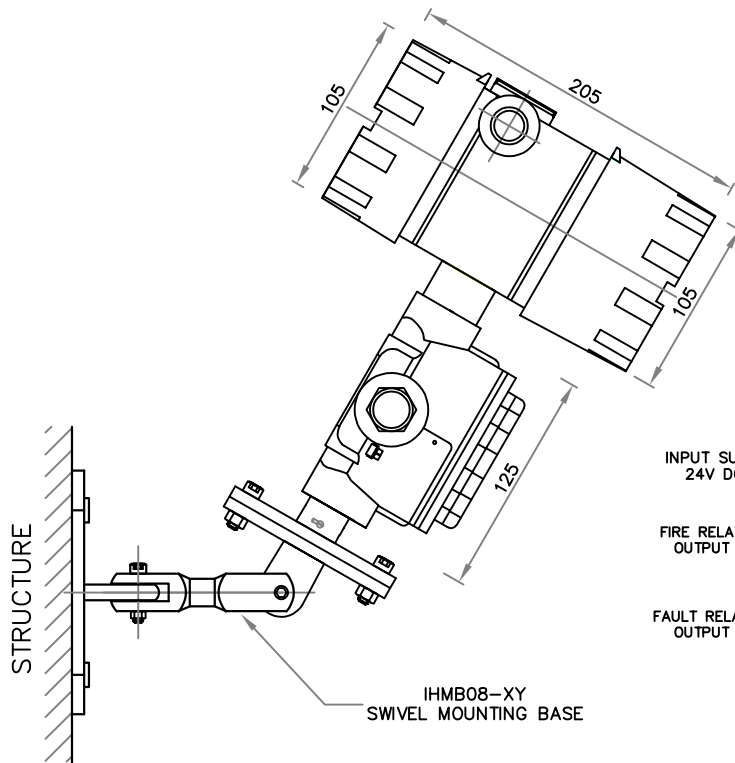
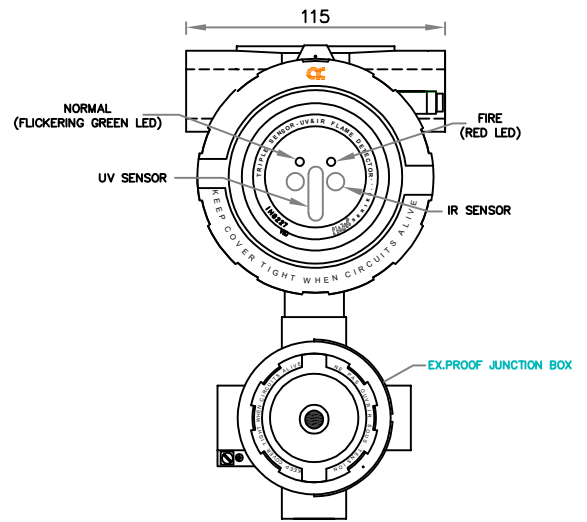
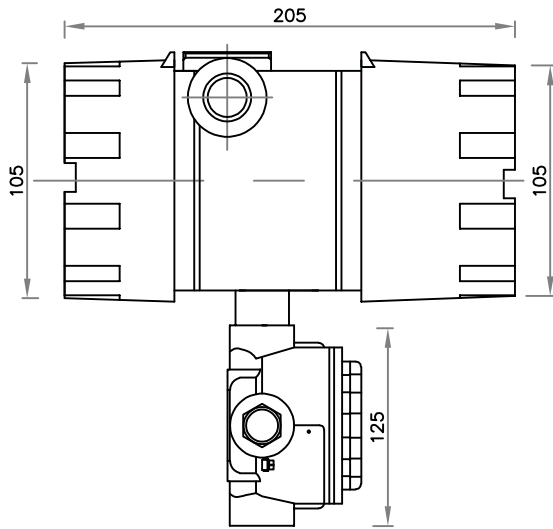
APPD. BY : DBS

**INTRODUCTION :-**

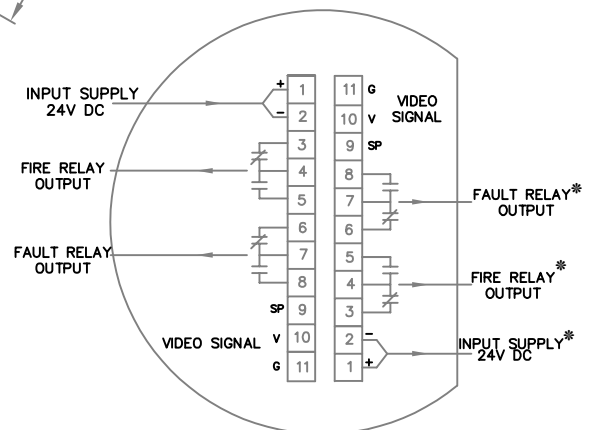
TRIPLE SENSOR UV & IR FLAME DETECTOR WITH SUITABLE FLAME PROOF ENCLOSURE TO DETECT FLAME. THE DETECTOR HAS PROVISION TO CONNECT TO ANY STANDARD FIRE ALARM PANEL OR TO CONNECT WITH FIRE ALARM PANEL / ANNUNCIATOR / PLC USING POTENTIAL FREE 'NO' CONTACTS. DETECTOR GIVE FIRE INDICATION AFTER COMPARING THE SENSOR OUTPUT FOR ACTUAL FIRE. INBUILT CAMERA WILL PROVIDE FURTHER DETAILS ON THE AREA WHERE IT IS FOCUSED.

THE FLAME CAMERA IS CONNECTED TO MONITOR & DVR FOR VIEWING & RECORDING THE ALARM EVENT TRIGGERED BY THE FLAME DETECTOR.

REV 01: PESO CERTIFICATION NUMBER UPDATED.



**RECOMMENDED MOUNTING ARRANGEMENT**



**TERMINAL DETAILS**

\* PARALLEL/DUPLICATE OUTPUT

**NOTE**

1. ALL DIMENSIONS ARE IN "mm" UNLESS OTHERWISE SPECIFIED.
2. TOLERANCE ON DIMENSION ± 3 mm, UNLESS OTHERWISE SPECIFIED.

**IMPORTANT:**

AGNI CONTROLS RESERVES THE RIGHT TO CHANGE OR MODIFY WITHOUT PREVIOUS NOTICE ANY DATA OR SPECIFICATION DUE TO CHANGES OR MODIFICATION IN ORDER TO IMPROVE THE PRODUCTS/SYSTEM PRESENTED.

**AGNI CONTROLS CHENNAI**  
 NO.1, 6TH STREET, Dr.SUBBARAYAN NAGAR,  
 KODAMBAKKAM, CHENNAI-600 024, INDIA.  
 PHONE : +91 44 2481 2420,  
 E-MAIL : engineering@agnicontrols.com WEBSITE : www.balafire.com

**ISO 9001 - 2015  
 CERTIFIED COMPANY**

# fladet<sup>®</sup> SERIES...

**DATASHEET**

**FLAME PROOF UV-IR FLAME DETECTOR WITH VISUAL SIGNAL**

PART NO : IH8227-VID

DOC. NO:DP-5.8/MT-576

DATE: OCT. 2022

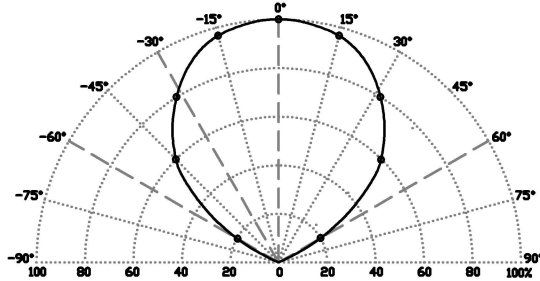
REV : 01

SCALE : N.T.S

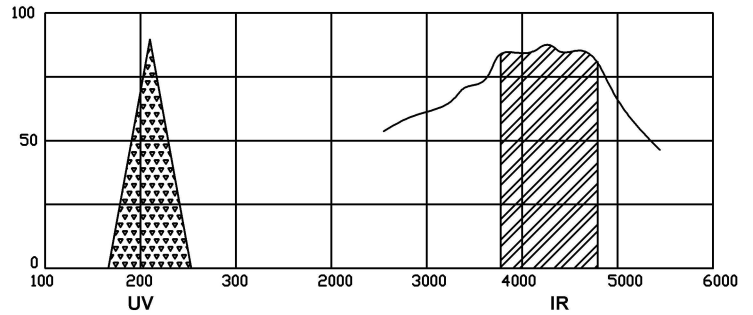
SHEET : 2 OF 2

APPD. BY :DBS

**ANGULAR SENSITIVITY**



**TRIPLE SENSOR - UV & IR DETECTOR SPECTRAL RESPONSE**



**TECHNICAL SPECIFICATION**

**FLAME DETECTOR - TECHNICAL SPECIFICATION**

		<b>fladet</b> SERIES...
01. MANUFACTURER	AGNI CONTROLS – CHENNAI	
02. SUPPLY	24V DC ± 20%, (RESETTABLE)	
03. QUIESCENT CURRENT	<150mA	
04. ALARM CURRENT	<200mA	
05. RELAY CONTACT RATING	1A AT 24V DC, 0.5A AT 120V AC	
06. CABLE ENTRY	M25X1.5 – 2 Nos.	
07. SENSING ELEMENT	UV & IR	
08. RANGE	UV-185 – 260nm IR-3000 – 5000nm	
09. INDICATION	NORMAL – FLICKERING GREEN LED FIRE – RED LED	
10. OPERATING TEMPERATURE	-40°C TO +60°C	
11. OUTPUT	1. ONE SET OF NO-COM-NC CONTACT FOR FIRE PLUS ONE SET OF DUPLICATE NO-COM-NC CONTACT. 2. ONE SET OF NO-COM-NC CONTACT FOR FAULT PLUS ONE SET OF DUPLICATE NO-COM-NC CONTACT.	
12. ENCLOSURE MAKE	LIMATHERM,POLAND	
13. MATERIAL	CAST ALUMINIUM LM6	
14. FASTENERS	SS 304	
15. EQUIPMENT RATING	EXPLOSION PROOF FOR CLASS I, DIVISION1,GROUPS A,B,C AND D: AND DUST – IGNITION PROOF FOR CLASS II/III, DIVISION 1,GROUPS E,F & G: HAZARDOUS (CLASIFIED) LOCATIONS,INDOOR/OUTDOOR (NEMA TYPE 4X).  1026 Ex II 2G Ex d IIC Gb 1026 Ex II 2D Ex tb IIIC Db, IP 66	

16. CERTIFICATION FOR ENCLOSURE



FM APPROVAL FOR ENCLOSURE. XD-IDAC,REPORT NO.3047332



ATEX APPROVAL FOR ENCLOSURE.

CERTIFICATE NUMBER: FTZU 04 ATEX 0332U

PESO APPROVAL FOR ENCLOSURE CCEs IDENTIFICATION NUMBER: P505939/1.

17. APPROVAL / CONFIRMATION / CERTIFICATION

- CONFIRMING REQUIREMENT NFPA 72E.
- CONFIRMING REQUIREMENT OF FM STANDARDS. CLASS NO.3260

18. SENSITIVITY SELECTION

- RANGE OF SELECTIONS
- (a) LOW SENSITIVITY – 1
  - (b) NORMAL SENSITIVITY – 2
  - (c) HIGH SENSITIVITY (FACTORY SET) – 3
  - (d) VERY HIGH SENSITIVITY – 4

**CAMERA - TECHNICAL SPECIFICATION**

01. IMAGE SENSOR	1/3 4 MP CMOS
02. VIDEO OUTPUT	1-CHANNEL BNC HIGH DEFINITION VIDEO OUTPUT
03. ANGLE OF VIEW	90° FOR BOTH DETECTOR & CAMERA
04. MAX. VIEWING DISTANCE	25M FOR BOTH DETECTOR & CAMERA
05. FOCAL LENGTH	3.6 mm FIXED LENS
06. POWER SUPPLY	DC12V±10%
07. POWER CONSUMPTION	MAX 5W
08. WORKING ENVIRONMENT	-30°C~+60°C/LESS THAN 95%RH (NO CONDENSATION)
09. ENCLOSURE MAKE	LIMATHERM,POLAND
10. AREA CLASSIFICATION	ZONE 1,2,21 & 22
11. HAZARDOUS AREA PROTECTION DETAILS	Ex II 2G Ex d IIC Gb Ex II 2D Ex td IIIC Db
12. CERTIFICATION FOR ENCLOSURE	FTZU 05 ATEX 0262U

**IMPORTANT:**

AGNI CONTROLS RESERVES THE RIGHT TO CHANGE OR MODIFY WITHOUT PREVIOUS NOTICE ANY DATA OR SPECIFICATION DUE TO CHANGES OR MODIFICATION IN ORDER TO IMPROVE THE PRODUCTS/SYSTEM PRESENTED.



**AGNI CONTROLS CHENNAI**

NO.1, 6TH STREET, Dr.SUBBARAYAN NAGAR, KODAMBAKKAM, CHENNAI-600 024, INDIA.

PHONE : +91 44 2481 2420,

E-MAIL : engineering@agnicontrols.com WEBSITE : www.balafire.com

**ISO 9001 - 2015  
CERTIFIED COMPANY**