

fladet[®] SERIES...

DATA SHEET

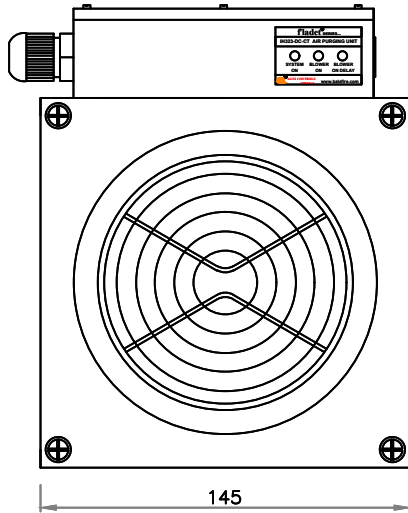
AIR PURGING UNIT WITH SEQUENTIAL TIMER

PART NO :
IH323 DC CT

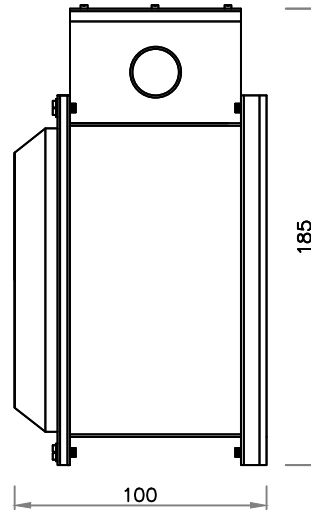
FIRST ISSUE DOC.NO.:DP-5.8/MT-303	DATE:10th SEP.2013	REV:00	SCALE:N.T.S	SHEET:1 OF 2	APPD. BY:D.B
LATEST ISSUE DOC.NO.:DP-5.8/MT-303	DATE:13th.AUG.2020	REV:02			

INTRODUCTION :-

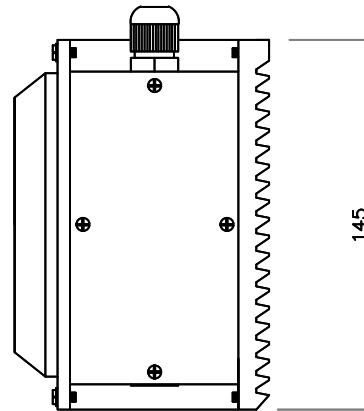
AIR BLOWER IS USED FOR AIR PURGING APPLICATION TO EMBER DETECTOR. THE UNIT WORKS ON 24V DC
NOTE: THIS DATASHEET CAN BE ALSO REFERRED AS DOC.NO: DP-5.8/CP-303



FRONT VIEW



SIDE VIEW



TOP VIEW

NOTE:

1. ALL DIMENSIONS ARE IN "mm" UNLESS OTHERWISE SPECIFIED.
2. TOLERANCE ON DIMENSION ± 3 mm, UNLESS OTHERWISE SPECIFIED.
3. TO BE FIXED PERMANENTLY.
4. TO BE PROTECTED FROM RAIN AND WIND.
5. FILTER IS TO BE CLEANED PERIODICALLY AS PER SITE REQUIREMENT.

TECHNICAL SPECIFICATION

01.	MANUFACTURER	AGNI CONTROLS – CHENNAI	09.	OPERATION	SELECTIONS : 1. CONTINUOUS ON 2. SEQUENTIAL ON
02.	CONSTRUCTION (ENCLOSURE)	1mm CR SHEET			SEQUENTIAL OPERATION :
03.	PAINT SHADE	L GREY			ON TIME – 1 MIN. TOLERANCE ± 10 SEC.
04.	OVER ALL DIMENSION	145(L) X 100(W) X 185(H)			OFF TIME – 60 MIN. TOLERANCE ± 8 MIN.
05.	AIR PRESSURE	6.8 mm H ₂ O $\pm 5\%$			
06.	AIR FLOW	98 CFM $\pm 5\%$			
07.	VOLTAGE	24V DC $\pm 15\%$			
08.	CURRENT	350mA MAX. AT 24V DC			

IMPORTANT:

AGNI CONTROLS RESERVES THE RIGHT TO CHANGE OR MODIFY WITHOUT PREVIOUS NOTICE ANY DATA OR SPECIFICATION DUE TO CHANGES OR MODIFICATION IN ORDER TO IMPROVE THE PRODUCTS/SYSTEM PRESENTED.



**AGNI CONTROLS
CHENNAI**

NO.1, 6TH STREET, Dr.SUBBARAYAN NAGAR,
KODAMBAKKAM, CHENNAI-600 024, INDIA.
PHONE : +91 44 2481 2420
E-MAIL : engineering@agnicontrols.com WEBSITE : www.balafire.com

**ISO 9001 - 2015
CERTIFIED COMPANY**

fladet[®] SERIES...

DATA SHEET

AIR PURGING UNIT WITH SEQUENTIAL TIMER

PART NO :
IH323 DC CT

FIRST ISSUE DOC.NO.:DP-5.8/MT-303

DATE:10th SEP.2013

REV:00

SCALE:N.T.S

SHEET:2 OF 2

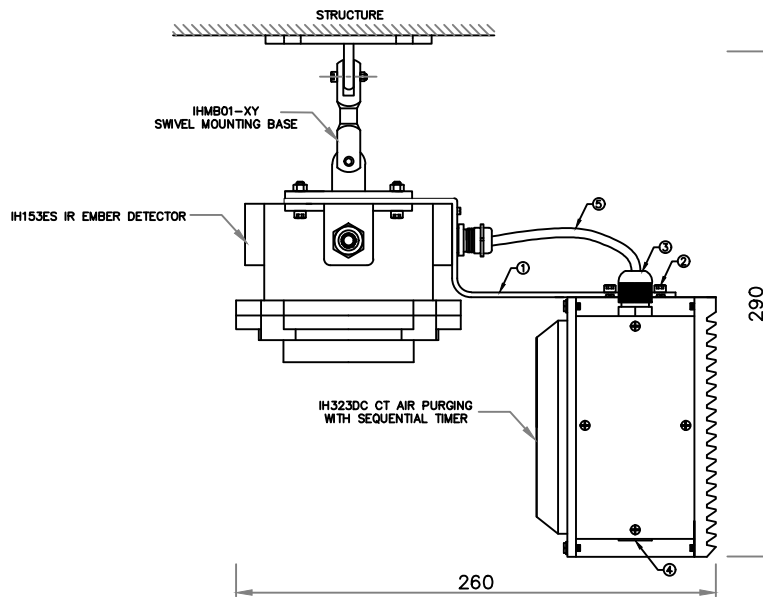
APPD. BY:D.B

LATEST ISSUE DOC.NO.:DP-5.8/MT-303

DATE:13th.AUG.2020

REV:02

RECOMMENDED MOUNTING ARRANGEMENTS OF DETECTOR & AIR PURGING UNIT



LIST OF ACCESSORIES

Sl.NO:	CODE NO	DESCRIPTION	QUANTITY
01.	M26 001	'L' BRACKET	1 NO.
02.	EMS05 017	M6 X 12mm ALIGN KEY SCREW	2 NOS.
03.	ES04 036	PVC GLAND PG-11	1 NO.
04.	EM04 017	GROMMET (3/4")	1 NO.
05.	IH323 DC CT P2-1-420	CONNECTING CABLE 420mm (LENGTH)	1 NO.
06.	ES04 041	DUMMY PLUG	1 NO.

IMPORTANT:

AGNI CONTROLS RESERVES THE RIGHT TO CHANGE OR MODIFY WITHOUT PREVIOUS NOTICE ANY DATA OR SPECIFICATION DUE TO CHANGES OR MODIFICATION IN ORDER TO IMPROVE THE PRODUCTS/SYSTEM PRESENTED.



**AGNI CONTROLS
CHENNAI**

NO.1, 6TH STREET, Dr.SUBBARAYAN NAGAR,
KODAMBAKKAM, CHENNAI-600 024, INDIA.
PHONE : +91 44 2481 2420
E-MAIL : engineering@agnicontrols.com WEBSITE : www.balafire.com

ISO 9001 - 2015
CERTIFIED COMPANY