

fladet[®] SERIES...

DATA SHEET

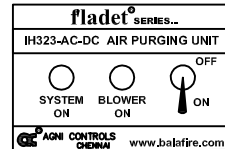
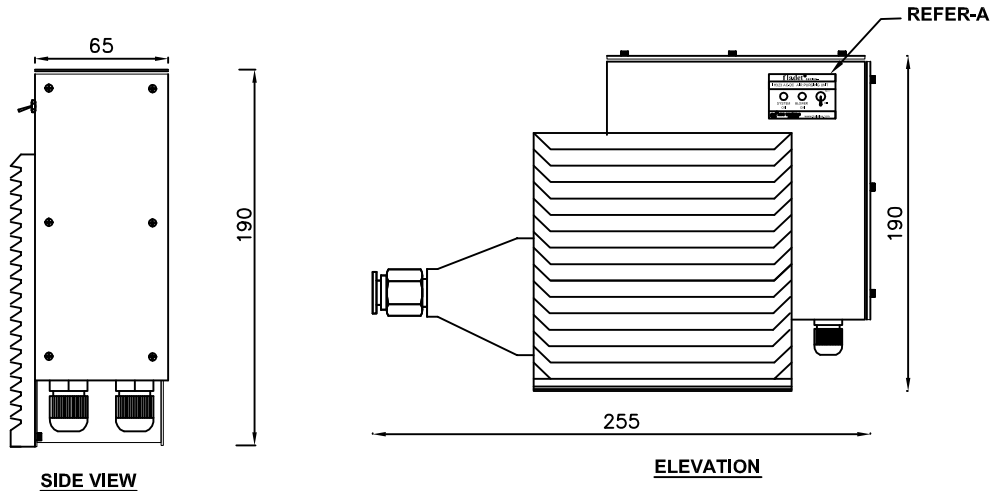
AIR PURGING UNIT

PART NO :
IH323 AC-DC

DOC.NO.:DP-5.8/MT-432 DATE : JAN 2023 REVISION : 02 SCALE : N.T.S SHEET : 1 OF 2 APPD. BY:DB

INTRODUCTION :-

AIR BLOWER IS USED FOR AIR PURGING APPLICATION TO EMBER DETECTOR. THE UNIT WORKS ON 24V DC OR 230V AC. THIS AIR BLOWER USED FOR CONTINUOUS OPERATION.
REV-01: REV-01 IS THE SAME AS REV-00 EXCEPT FOR ADDING ISO 9001:2015
REV-02: TECHNICAL DETAILS CHANGED.



REFER-A

NOTE:

1. ALL DIMENSIONS ARE IN "mm" UNLESS OTHERWISE SPECIFIED.
2. TOLERANCE ON DIMENSION ± 3 mm, UNLESS OTHERWISE SPECIFIED.
3. TO BE FIXED PERMANENTLY.
4. TO BE PROTECTED FROM RAIN AND WIND.
5. FILTER IS TO BE CLEANED PERIODICALLY AS PER SITE REQUIREMENT.

TECHNICAL SPECIFICATION

01.	MANUFACTURER	AGNI CONTROLS - CHENNAI	08.	OPERATION	CONTINUOUS ON, WHEN SWITCH IS SELECTED
02.	CONSTRUCTION (ENCLOSURE)	1mm CR SHEET	09.	INDICATION	FOR ON POSITION SYSTEM ON LED -GREEN BLOWER ON LED -YELLOW
03.	PAIN T SHADE	L GREY			
04.	OVER ALL DIMENSION	255(L) X 190(W) X 65(H)			
05.	AIR FLOW	25 CFM / 0.70 M ³ /MIN $\pm 5\%$			
06.	VOLTAGE	230V AC / 24V DC			
07.	CURRENT	10W / 350mA AT 24V DC			

IMPORTANT:

AGNI CONTROLS RESERVES THE RIGHT TO CHANGE OR MODIFY WITHOUT PREVIOUS NOTICE ANY DATA OR SPECIFICATION DUE TO CHANGES OR MODIFICATION IN ORDER TO IMPROVE THE PRODUCTS/SYSTEM PRESENTED.

AGNI CONTROLS CHENNAI
NO.1, 6TH STREET, Dr.SUBBARAYAN NAGAR,
KODAMBAKKAM, CHENNAI-600 024, INDIA.
PHONE : +91 44 2481 2420,
E-MAIL : engineering@agnicontrols.com WEBSITE : www.balafire.com

**ISO 9001 - 2015
BUREAU VERITAS
CERTIFICATION**

fladet[®] SERIES...

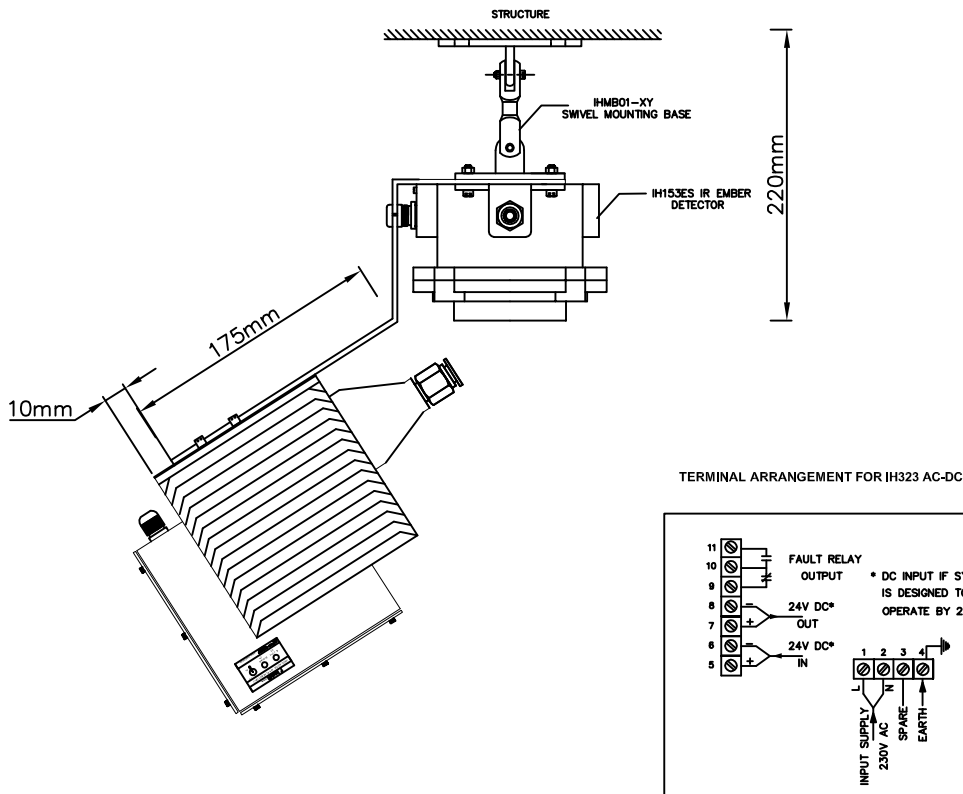
DATA SHEET

AIR PURGING UNIT

PART NO :
IH323 AC-DC

DOC.NO.:DP-5.8/MT-432 DATE: JAN 2023 REVISION : 02 SCALE : N.T.S SHEET : 2 OF 2 APPD. BY:DB

RECOMMENDED MOUNTING ARRANGEMENTS OF DETECTOR & AIR PURGING UNIT



LIST OF ACCESSORIES

Sl.NO:	CODE NO	DESCRIPTION	QUANTITY
01.	M13 087	'L' BRACKET	1 NO.
02.	IH323 AC-DC-P2-1-600	CONNECTING CABLE 600MM LENGTH	1 NO.
03.	EM02 005	HOSE TO BE USED WITH ONE (ONE TOUCH FITTING OF AIR PURGING UNIT-300mm LENGTH) (OPTIONAL - IF BLOWER IS FIXED SEPARATELY)	1 NO.
04.	ES04 041	DUMMY PLUG	1 NO.
05.	EMS05 071	M6 X 25MM ALLEN SCREW	4 NOS.
06.	ES04 040	METAL GLAND M20X1.5mm	1 NO.
07.	EMS05 070	M4 X 12mm STAR SCREW WITHOUT WASHER	4 NOS.

IMPORTANT:

AGNI CONTROLS RESERVES THE RIGHT TO CHANGE OR MODIFY WITHOUT PREVIOUS NOTICE ANY DATA OR SPECIFICATION DUE TO CHANGES OR MODIFICATION IN ORDER TO IMPROVE THE PRODUCTS/SYSTEM PRESENTED.

AGNI CONTROLS
CHENNAI
NO.1, 6TH STREET, Dr.SUBBARAYAN NAGAR,
KODAMBAKKAM, CHENNAI-600 024, INDIA.
PHONE : +91 44 2481 2420,
E-MAIL : engineering@agnicontrols.com WEBSITE : www.balafire.com

ISO 9001 - 2015
BUREAU VERITAS
CERTIFICATION