

# fladet<sup>®</sup> SERIES...

**DATA SHEET**

**UV-IR FLAME DETECTOR**

PART NO : IH226

DWG. NO.:DP-5.8/MT-022

DATE:NOV. 2020

REVISION :01

SCALE : N.T.S

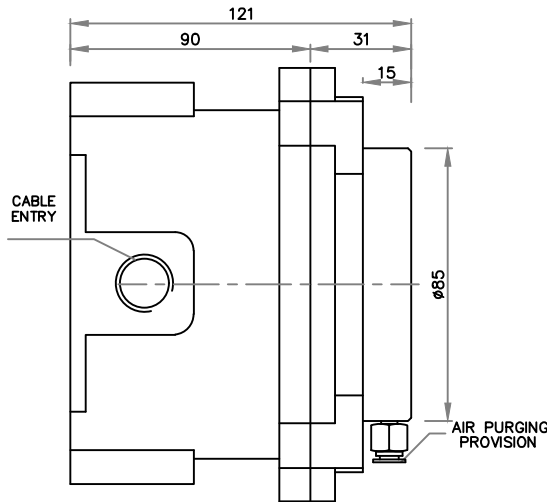
SHEET: 1 OF 1

APPD. BY : DBS

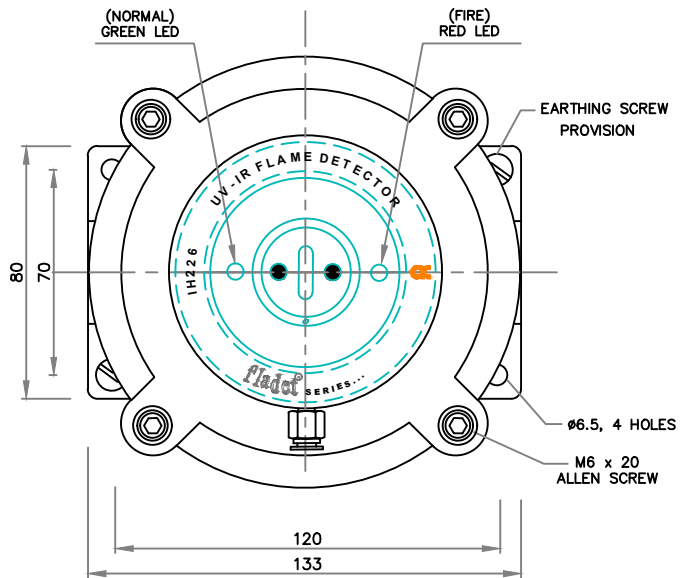
**INTRODUCTION :-**

IH226 UV-IR FLAME DETECTOR WITH IP 66 ENCLOSURE IS DESIGNED TO RESPOND TO FLAMING FIRES. THE DETECTOR HAS PROVISION TO CONNECT DIRECTLY TO ANY STANDARD FIRE ALARM CONTROL PANEL/ANNUNCIATOR/PLC USING POTENTIAL FREE 'NO' CONTACTS. DETECTOR GIVES FIRE INDICATION AFTER COMPARING THE SENSOR OUTPUT FOR ACTUAL FIRE.

NOTE:- THIS DATASHEET CAN ALSO BE REFERRED AS DWG. NO.:DP-5.8/CP-022 FOR INTERNAL USE AS CONTROLLED COPY.



**SIDE VIEW**



**ELEVATION**

**NOTE 2:**

1. CENTER TO CENTER - 65mm±3mm
2. END TO END - 70mm±3mm

**NOTE 1:**

1. FOR MOUNTING ARRANGEMENTS, ELECTRICAL CONNECTIONS REFER IH226 USER MANUAL (DOC. NO:DP-5.8/MT-022/A7)
2. ALL DIMENSIONS ARE IN "mm" UNLESS OTHERWISE SPECIFIED.
3. TOLERANCE ON DIMENSION ± 3 mm, UNLESS OTHERWISE SPECIFIED.

**TECHNICAL SPECIFICATION**

01.	MANUFACTURER	AGNI CONTROLS - CHENNAI	16.	OUTPUT	1. ONE SET OF NO-COM-NC CONTACTS FOR FIRE PLUS ONE SET OF DUPLICATE NO-COM-NC CONTACTS.
02.	MATERIAL	CAST ALUMINIUM LM6			2. ONE SET OF NO-COM-NC CONTACTS FOR FAULT PLUS ONE SET OF DUPLICATE NO-COM-NC CONTACTS.
03.	FINISH	ENCLOSURE- HAMMER TONE GREY,			3. ONE SET OF NO CONTACTS FOR ALERT (NO HOLDING) PLUS ONE SET OF DUPLICATE 'NO' CONTACTS.
04.	CABLE ENTRY	M20X1.5 - 3NOS.			4. ZONE/DETECTOR LINE
05.	PROTECTION CLASS	IP 66	17.	RELAY CONTACT RATING	1A AT 24VDC, 0.5A AT 120VAC
06.	SENSING ELEMENT	UV & IR	18.	APPROVAL / CONFORMATION / CERTIFICATION	1. LPCB - 1259a/01
07.	RANGE	UV - 185 - 260 nm IR - 3000 - 5000 nm			2. CE - CPR: 2831-CPR-F0854
08.	FASTENERS	SS 304			3. CONFORMING REQUIREMENT OF EN54-10, NFPA-72 & IS2189
09.	OPERATING TEMPERATURE	-20°C TO +60°C			4. IP PROTECTION CERTIFIED BY ETDC
10.	SUPPLY	24V DC ± 20%, (RESETTABLE)			
11.	QUIESCENT CURRENT	< 80 mA			
12.	ALARM CURRENT	< 150 mA			
13.	INDICATION	NORMAL - FLICKERING GREEN LED FIRE - RED LED			
14.	APPLICATION	INDOOR AND OUTDOOR			
15.	RELATIVE HUMIDITY	0% - 95% , NON-CONDENSING			

**IMPORTANT:**

AGNI CONTROLS RESERVES THE RIGHT TO CHANGE OR MODIFY WITHOUT PREVIOUS NOTICE ANY DATA OR SPECIFICATION DUE TO CHANGES OR MODIFICATION IN ORDER TO IMPROVE THE PRODUCTS/SYSTEM PRESENTED.



NO.1, 6TH STREET, Dr.SUBBARAYAN NAGAR,  
KODAMBAKKAM, CHENNAI-600 024, INDIA.  
PHONE : +91 44 2481 2420,  
E-MAIL : engineering@agnicontrols.com WEBSITE : www.balafire.com

**ISO 9001 - 2015  
CERTIFIED BY  
BUREAU VERITAS**