

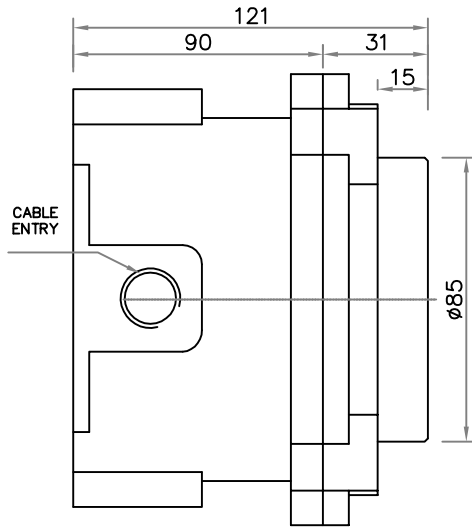
fladet[®] SERIES...

DATA SHEET	DETECTOR WITH CCTV CAMERA (NON-EXPLOSION PROOF TYPE)	PART NO : IH225R-VID
-------------------	-----------------------------------------------------------------	----------------------

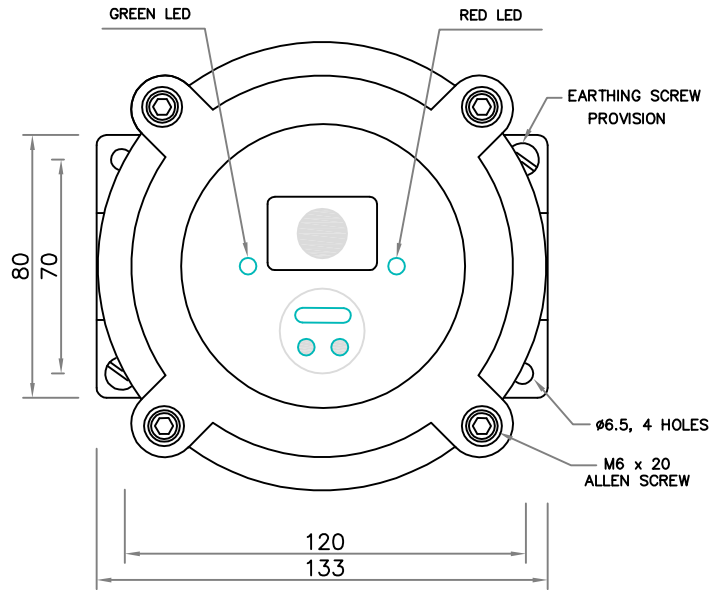
DOC.NO : DP-5.8/MT-625	DATE: APR. 2022	REVISION : 00	SCALE : N.T.S	SHEET: 1 OF 1	APPD. BY : DBS
------------------------	-----------------	---------------	---------------	---------------	----------------

INTRODUCTION :-

UV & IR FLAME DETECTOR WITH IP 66 ENCLOSURE. THE DETECTOR CAN DETECT FLAME. THE DETECTOR HAS PROVISION TO CONNECT DIRECTLY TO ANY STANDARD FIRE ALARM PANEL OR TO CONNECT WITH ANNUNCIATOR OR PLC USING POTENTIAL FREE 'NO' CONTACTS. DETECTOR GIVE FIRE INDICATION AFTER COMPARING THE SENSOR OUTPUT FOR ACTUAL FIRE. INBUILT CAMERA WILL PROVIDE VIDEO OUTPUT ON THE AREA WHERE IT IS FOCUSED. THE FLAME CAMERA IS CONNECTED TO MONITOR & DVR FOR VIEWING & RECORDING THE ALARM EVENT TRIGGERED BY THE FLAME DETECTOR.



SIDE VIEW



ELEVATION

ALL DIMENSIONS ARE IN "mm" UNLESS OTHERWISE SPECIFIED.

TECHNICAL SPECIFICATION

<ol style="list-style-type: none"> 01. MANUFACTURER 02. MATERIAL 03. FINISH 04. CABLE ENTRY 05. PROTECTION CLASS 06. SENSING ELEMENT 07. RANGE 08. FASTENERS 09. OPERATING TEMPERATURE 10. SUPPLY 11. QUIESCENT CURRENT 12. ALARM CURRENT 13. INDICATION 14. APPLICATION 15. RELAY CONTACT RATING 16. APPROVAL / CONFORMATION / CERTIFICATION 	<p>AGNI CONTROLS – CHENNAI CAST ALUMINIUM LM6 ENCLOSURE-TRAFFIC WHITE M20X1.5 – 3NOS.</p> <p>IP 66 UV & IR UV – 185 – 260 nm IR – 3000 – 5000 nm</p> <p>SS 304 -20°C TO +60°C</p> <p>24V DC ± 20%, (RESETTABLE) < 150 mA < 200 mA</p> <p>NORMAL – FLICKERING GREEN LED FIRE – RED LED INDOOR AND SEMI OUTDOOR 1A AT 24VDC, 0.5A AT 120VAC</p> <p>1. IP PROTECTION CERTIFIED BY ETDC 2. CONFORMING REQUIREMENT OF EN 54-10 3. CONFORMING REQUIREMENT OF FM STANDARDS. CLASS NO. 3260 4. CONFORMING REQUIREMENT OF IS-2189.</p>	<p style="text-align: center;">DETECTOR – TECHNICAL SPECIFICATION</p> <table border="1" style="width: 100%; border-collapse: collapse;"> <tr> <td style="width: 50%;">01. SENSING ELEMENT</td> <td>UV & IR</td> </tr> <tr> <td>02. RANGE</td> <td>UV – 185 – 260 nm IR – 3000 – 5000 nm</td> </tr> </table>	01. SENSING ELEMENT	UV & IR	02. RANGE	UV – 185 – 260 nm IR – 3000 – 5000 nm	<p style="text-align: center;">CAMERA – TECHNICAL SPECIFICATION</p> <table border="1" style="width: 100%; border-collapse: collapse;"> <tr> <td style="width: 50%;">01. IMAGE SENSOR</td> <td>1/3" 4 MP CMOS</td> </tr> <tr> <td>02. VIDEO OUTPUT</td> <td>1-CHANNEL BNC HIGH DEFINITION VIDEO OUTPUT</td> </tr> <tr> <td>03. ANGLE OF VIEW</td> <td>90° FOR BOTH DETECTOR & CAMERA</td> </tr> <tr> <td>04. MAX. VIEWING DISTANCE</td> <td>25M FOR BOTH DETECTOR & CAMERA</td> </tr> <tr> <td>05. FOCAL LENGTH</td> <td>3.6 mm FIXED LENS</td> </tr> <tr> <td>06. POWER SUPPLY</td> <td>DC12V±10%</td> </tr> <tr> <td>07. POWER CONSUMPTION</td> <td>MAX 5W</td> </tr> <tr> <td>08. WORKING ENVIRONMENT</td> <td>-40°C~+60°C/LESS THAN 90%RH (NO CONDENSATION)</td> </tr> </table>	01. IMAGE SENSOR	1/3" 4 MP CMOS	02. VIDEO OUTPUT	1-CHANNEL BNC HIGH DEFINITION VIDEO OUTPUT	03. ANGLE OF VIEW	90° FOR BOTH DETECTOR & CAMERA	04. MAX. VIEWING DISTANCE	25M FOR BOTH DETECTOR & CAMERA	05. FOCAL LENGTH	3.6 mm FIXED LENS	06. POWER SUPPLY	DC12V±10%	07. POWER CONSUMPTION	MAX 5W	08. WORKING ENVIRONMENT	-40°C~+60°C/LESS THAN 90%RH (NO CONDENSATION)
01. SENSING ELEMENT	UV & IR																						
02. RANGE	UV – 185 – 260 nm IR – 3000 – 5000 nm																						
01. IMAGE SENSOR	1/3" 4 MP CMOS																						
02. VIDEO OUTPUT	1-CHANNEL BNC HIGH DEFINITION VIDEO OUTPUT																						
03. ANGLE OF VIEW	90° FOR BOTH DETECTOR & CAMERA																						
04. MAX. VIEWING DISTANCE	25M FOR BOTH DETECTOR & CAMERA																						
05. FOCAL LENGTH	3.6 mm FIXED LENS																						
06. POWER SUPPLY	DC12V±10%																						
07. POWER CONSUMPTION	MAX 5W																						
08. WORKING ENVIRONMENT	-40°C~+60°C/LESS THAN 90%RH (NO CONDENSATION)																						

IMPORTANT:

AGNI CONTROLS RESERVES THE RIGHT TO CHANGE OR MODIFY WITHOUT PREVIOUS NOTICE ANY DATA OR SPECIFICATION DUE TO CHANGES OR MODIFICATION IN ORDER TO IMPROVE THE PRODUCTS / SYTEM PRESENTED.

**ISO 9001 - 2015
CERTIFIED COMPANY**

NO.1, 6TH STREET, Dr.SUBBARAYAN NAGAR, KODAMBAKKAM, CHENNAI-600 024.
PHONE : 044-2382 0774, FAX : 044 -2481 2475
E-MAIL : operation@agnicontrols.com WEBSITE: www.balafire.com