

# fladet<sup>®</sup> SERIES...

## DATA SHEET

## TRIPLE SENSOR FLAME DETECTOR

PART NO :  
IH225R-MCF

DOC. NO: DP-5.8/MT-825

DATE: SEP. 2025

REV : 00

SCALE : N.T.S

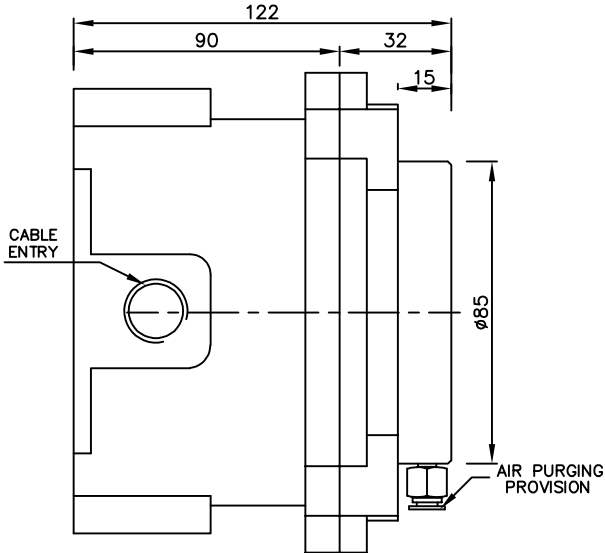
SHEET : 1 OF 1

APPD. BY : DB

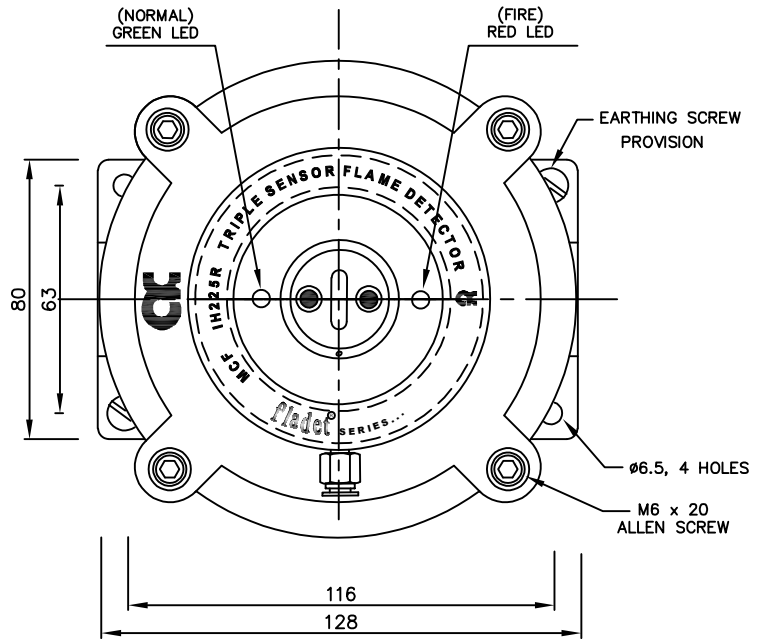
**INTRODUCTION :-**

IH225R - MCF IS DESIGNED FOR MACHINERY AND PRODUCTION AREA APPLICATION AND THIS MODEL ALSO CAN BE USED OTHER SIMILAR FIRE AREA IN INDOOR OR SEMI OUTDOOR APPLICATION. THE DETECTOR CAN DETECT FLAME. THE DETECTOR HAS PROVISION TO CONNECT DIRECTLY TO ANY STANDARD FIRE ALARM PANEL OR TO CONNECT WITH ANNUNCIATOR OR PLC USING POTENTIAL FREE 'NO' CONTACTS. DETECTOR GIVE FIRE INDICATION AFTER COMPARING THE SENSOR OUTPUT FOR ACTUAL FIRE.

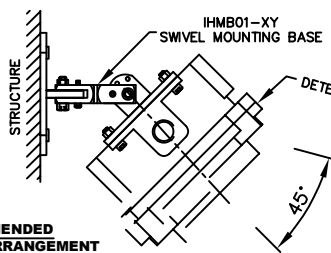
**NOTE :** THIS DATASHEET CAN BE ALSO REFERRED AS DOC. NO: DP-5.8/CP-825



**SIDE VIEW**



**ELEVATION**



**RECOMMENDED MOUNTING ARRANGEMENT**

**NOTE**

1. FOR MOUNTING ARRANGEMENTS, ELECTRICAL CONNECTIONS REFER IH225R-MCF USER MANUAL (DOC. NO:DP-5.8/MT-825/A7)
2. IN AREAS, WHERE UV SOURCE IS CONTINUOUSLY PRESENT, CONTACT MANUFACTURER FOR INSTALLATION RECOMMENDATION, DETECTOR POSITIONING GUIDANCE AND ADVICE ON SUITABILITY OF DETECTOR FOR THE DESIRED APPLICATION.
3. RECOMMENDED TO USE FOR MACHINERY PROTECTION.
4. ALL DIMENSIONS ARE IN "mm" UNLESS OTHERWISE SPECIFIED.
5. TOLERANCE ON DIMENSION  $\pm 3$  mm, UNLESS OTHERWISE SPECIFIED.

**TECHNICAL SPECIFICATION**

01.	MANUFACTURER	AGNI CONTROLS - CHENNAI	16	OUTPUT	1. ONE SET OF NO-COM-NC CONTACT FOR FIRE PLUS ONE SET OF DUPLICATE NO-COM-NC CONTACT.
02.	MATERIAL	CAST ALUMINIUM LM6			2. ONE SET OF NO-COM-NC CONTACT FOR FAULT PLUS ONE SET OF DUPLICATE NO-COM-NC CONTACT.
03.	FINISH	ENCLOSURE- HAMMER TONE GRAY II			3. ZONE DETECTOR LINE TO CONNECT DIRECTLY STANDARD CONVENTIONAL FIRE ALARM PANEL.
04.	CABLE ENTRY	M20X1.5 - 3NOS.			
05.	PROTECTION CLASS	IP 66			
06.	SENSING ELEMENT	UV & IR			
07.	RANGE	UV - 185 - 260 nm IR - 4000 - 4500 nm			
08.	FASTENERS	SS 304			
09.	OPERATING TEMPERATURE	-20°C TO +60°C			
10.	SUPPLY	24V DC $\pm$ 20%, (RESETTABLE)	17.	APPROVAL / CONFORMANCE / CERTIFICATION	1. IP PROTECTION CERTIFIED BY ETDC
11.	QUIESCENT CURRENT	< 80 mA			2. CONFORMING REQUIREMENT OF EN 54-10
12.	ALARM CURRENT	< 150 mA			3. CONFORMING REQUIREMENT OF IS-2189.
13.	INDICATION	NORMAL - FLICKERING GREEN LED FIRE - RED LED			4. CONFORMING REQUIREMENT OF FM STANDARDS. CLASS NO.3260
14.	APPLICATION	INDOOR AND SEMI OUTDOOR	18.	SENSITIVITY SELECTION	RANGE OF SELECTIONS
15.	RELAY CONTACT RATING	1A AT 24VDC, 0.5A AT 120VAC			(a) NORMAL*
					(b) HIGH**
					* - DEFAULT SETTING
					** - ONLY FACTORY SETTING
					NO FIELD SETTING

**IMPORTANT:**

AGNI CONTROLS RESERVES THE RIGHT TO CHANGE OR MODIFY WITHOUT PREVIOUS NOTICE ANY DATA OR SPECIFICATION DUE TO CHANGES OR MODIFICATION IN ORDER TO IMPROVE THE PRODUCTS/SYSTEM PRESENTED.



**AGNI CONTROLS**  
NO.1, 6TH STREET, Dr.SUBBARAYAN NAGAR,  
KODAMBAKKAM, CHENNAI-600 024, INDIA.  
PHONE : +91 44 2481 2420,  
E-MAIL : engineering@agnicontrols.com WEBSITE : www.balafire.com

**ISO 9001 - 2015  
CERTIFIED COMPANY**