

fladet[®] SERIES...

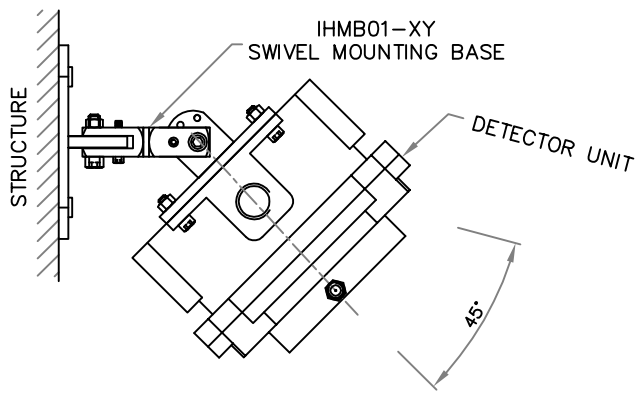
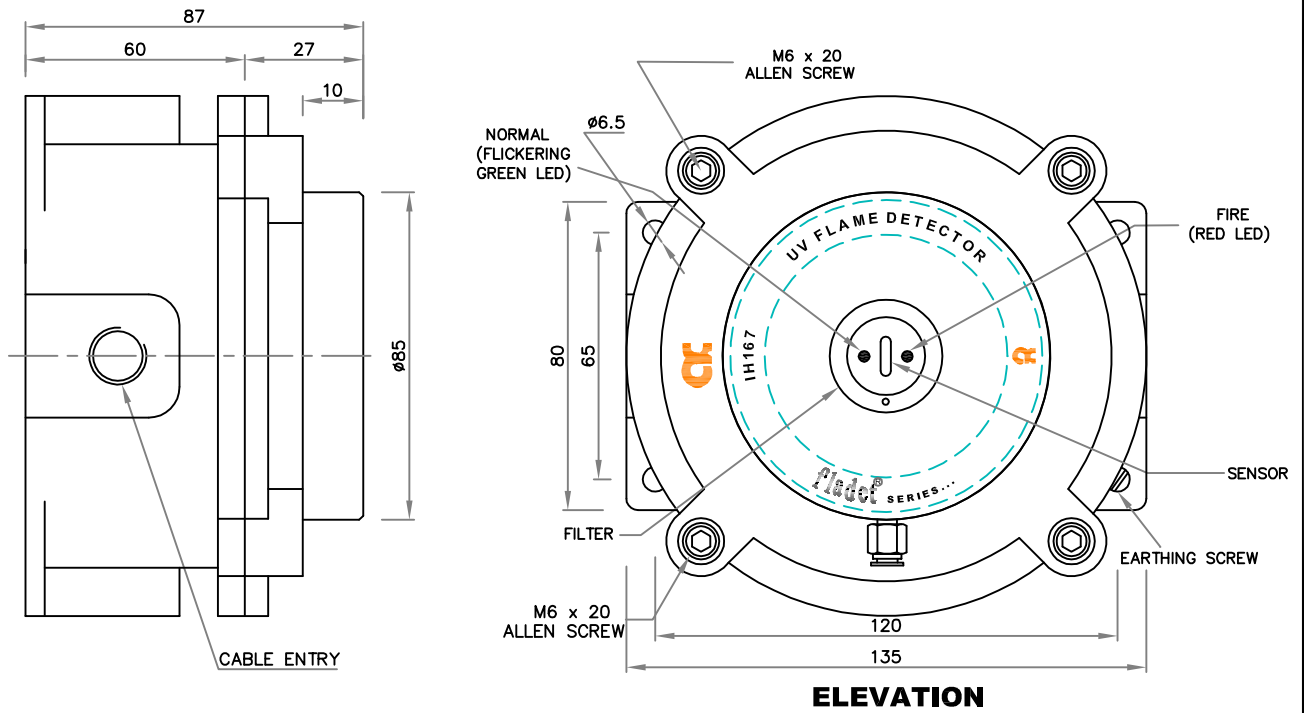
DATA SHEET	UV FLAME DETECTOR	PART NO : IH167
-------------------	--------------------------	-----------------

OLD DWG. NO:DP-5.8/08-081	DATE: DEC.2024	REVISION :04	SCALE : N.T.S	SHEET: 1 OF 2	APPD. BY :DBS
NEW DOC. NO:DP-5.8/MT-037					

REV-02-MAY.2018 : NAME PLATE POSITION CHANGE.
 REV-03-JUN.2019 : CHANGES IN DIMENSION AND ADDING ISO 9001:2015
 REV-04-DEC.2024 : SPECIFICATION IS UPDATED

INTRODUCTION :-

UV FLAME DETECTOR WITH IP 67 ENCLOSURE. THE DETECTOR CAN DETECT FLAME. THE DETECTOR HAS PROVISION TO CONNECT DIRECTLY TO ANY STANDARD CONVENTIONAL FIRE ALARM PANEL OR TO CONNECT WITH ANNUNCIATOR OR PLC USING POTENTIAL FREE 'NO' CONTACTS.
NOTE : THIS DATASHEET CAN BE ALSO REFERRED AS NEW DOC. NO:DP-5.8/CP-037



RECOMMENDED MOUNTING ARRANGEMENT

- NOTE :**
1. ALL DIMENSIONS ARE IN "mm" UNLESS OTHERWISE SPECIFIED.
 2. TOLERANCE ON DIMENSION ± 3 mm, UNLESS OTHERWISE SPECIFIED.

IMPORTANT:

AGNI CONTROLS RESERVES THE RIGHT TO CHANGE OR MODIFY WITHOUT PREVIOUS NOTICE ANY DATA OR SPECIFICATION DUE TO CHANGES OR MODIFICATION IN ORDER TO IMPROVE THE PRODUCTS/SYSTEM PRESENTED.



NO.1, 6TH STREET, Dr.SUBBARAYAN NAGAR,
 KODAMBAKKAM, CHENNAI-600 024, INDIA.
 PHONE : +91 44 2481 2420,
 E-MAIL : engineering@agnicontrols.com

**ISO 9001 - 2015
 CERTIFIED COMPANY**

fladet[®] SERIES...

DATA SHEET

UV FLAME DETECTOR

PART NO : IH167

OLD DWG. NO:DP-5.8/08-081

DATE: DEC.2024

REVISION :04

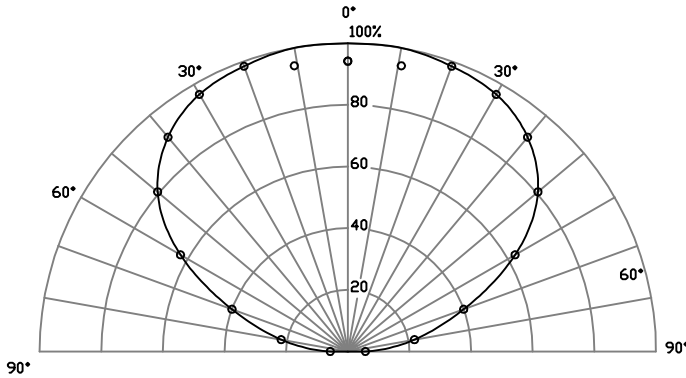
SCALE : N.T.S

SHEET: 2 OF 2

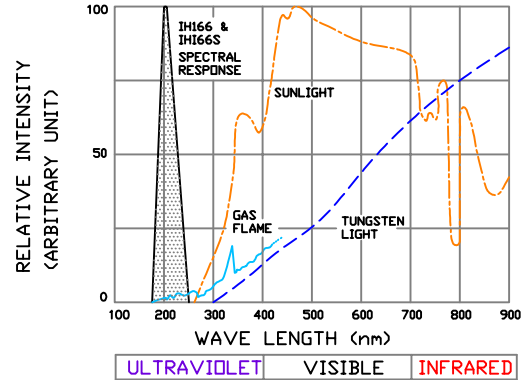
APPD. BY :DBS

NEW DOC. NO:DP-5.8/MT-037

ANGULAR SENSITIVITY



UV DETECTOR SPECTRAL RESPONSE



COMMON TECHNICAL SPECIFICATION FOR PART NO.: IH167

TECHNICAL SPECIFICATION FOR MODEL NO. APFP-T2060-ODA

01.	MANUFACTURER	fladet [®] SERIES... AGNI CONTROLS – CHENNAI	01.	OUTPUT	1. ONE SET OF NO-COM-NC CONTACT FOR FIRE PLUS ONE SET OF DUPLICATE NO-COM-NC CONTACT. 2. ONE SET OF NO-COM-NC CONTACT FOR FAULT PLUS ONE SET OF DUPLICATE NO-COM-NC CONTACT. 3. ZONE DETECTOR LINE TO CONNECT DIRECTLY STANDARD CONVENTIONAL FIRE ALARM PANEL.
02.	SUPPLY	24V DC ± 20%, (RESETTABLE)	02.	OPERATING TEMPERATURE	-20°C TO +60°C
03.	QUIESCENT CURRENT	<40mA	03.	APPLICATION	INDOOR APPLICATION ONLY WHERE NO UV SOURCES ARE PRESENT.
04.	ALARM CURRENT	<120mA	04.	APPROVAL / CONFIRMATION / CERTIFICATION	1. IP PROTECTION CERTIFIED BY ETDC 2. CONFIRMING REQUIREMENT NFPA 72E. 3. CONFIRMING REQUIREMENT OF FM STANDARDS. CLASS NO.3260 4. CONFIRMING REQUIREMENT OF IS-2189
05.	RELAY CONTACT RATING	1A AT 30V, 0.5A AT 250V AC			
06.	CABLE ENTRY	M20X1.5 – 3 Nos.			
07.	SENSING ELEMENT	UV			
08.	MATERIAL	CAST ALUMINIUM LM6			
09.	FINISH	ENCLOSURE-HAMMER TONE GRAY			
10.	PROTECTION CLASS	IP 67			
11.	FASTENERS	SS 304			
12.	RANGE	UV – 185 TO 260nm			
13.	INDICATION	NORMAL – FLICKERING GREEN LED FIRE – RED LED			

INSTALLATION CONSIDERATION :

Detector must be installed such that no obstruction is on the way of sight of the detector.

MAINTENANCE & INSPECTION:

To assure maximum detector sensitivity, keep the surface of the optical filter free from dirt or other contaminants at all times. Periodically test the sensitivity of the detector using a controlled flame or lighter flame. Inbuilt air purging provision may be used by connecting external compressed air to clean the surface of the detector. The unit is ready for flame detection after 10 sec or second pulse of green LED, If whenever input supply is switch ON or reset.

Note: For more details refer installation and maintenance manual. (DP-5.8/CP-MT-037/2)

Packing Size : 305(L) x 220(B) x 210(H) (all in mm)
Packing Weight : 3.5 kg,Max

Part & Model No. selection

PART NO.					
MODEL NO.					
YY	IH167	UV Flame Detector to use in Non Hazardous Area			
	IH166	UV Flame Detector to use in Hazardous Area			
AA	AP	OUTPUT			
			(1) One set of NO-COM-NC contact for FIRE plus one set of duplicate NO-COM-NC contact (2) One set of NO-COM-NC contact for FAULT plus one set of duplicate NO-COM-NC contact		
	APFP	OUTPUT			
			Same as AP (1),(2) (3) Zone Detector line to connect directly standard conventional fire alarm panel		
BB	T 60	Operating temperature 0°C to 60°C			
	T 2060	Operating temperature -20°C to +60°C			
	T 4060	Operating temperature -40°C to +60°C			
CC	IDA	Indoor Application			
	ODA	Outdoor Application			
	HA	Hazardous Area Application(Choose Part No.IH166)			

IMPORTANT:

AGNI CONTROLS RESERVES THE RIGHT TO CHANGE OR MODIFY WITHOUT PREVIOUS NOTICE ANY DATA OR SPECIFICATION DUE TO CHANGES OR MODIFICATION IN ORDER TO IMPROVE THE PRODUCTS/SYSTEM PRESENTED.

AGNI CONTROLS

NO.1, 6TH STREET, Dr.SUBBARAYAN NAGAR,
KODAMBAKKAM, CHENNAI-600 024, INDIA.
PHONE : +91 44 2481 2420,
E-MAIL : engineering@agnicontrols.com

ISO 9001 - 2015
CERTIFIED COMPANY