

# fladet<sup>®</sup> SERIES...

## DATA SHEET

## 4 IR SPARK DETECTOR MODULE

PART NO: IH163/6

DOC. NO: DP-5.8/MT-292

DATE: MAR 2019

REVISION : 03

SCALE : N.T.S

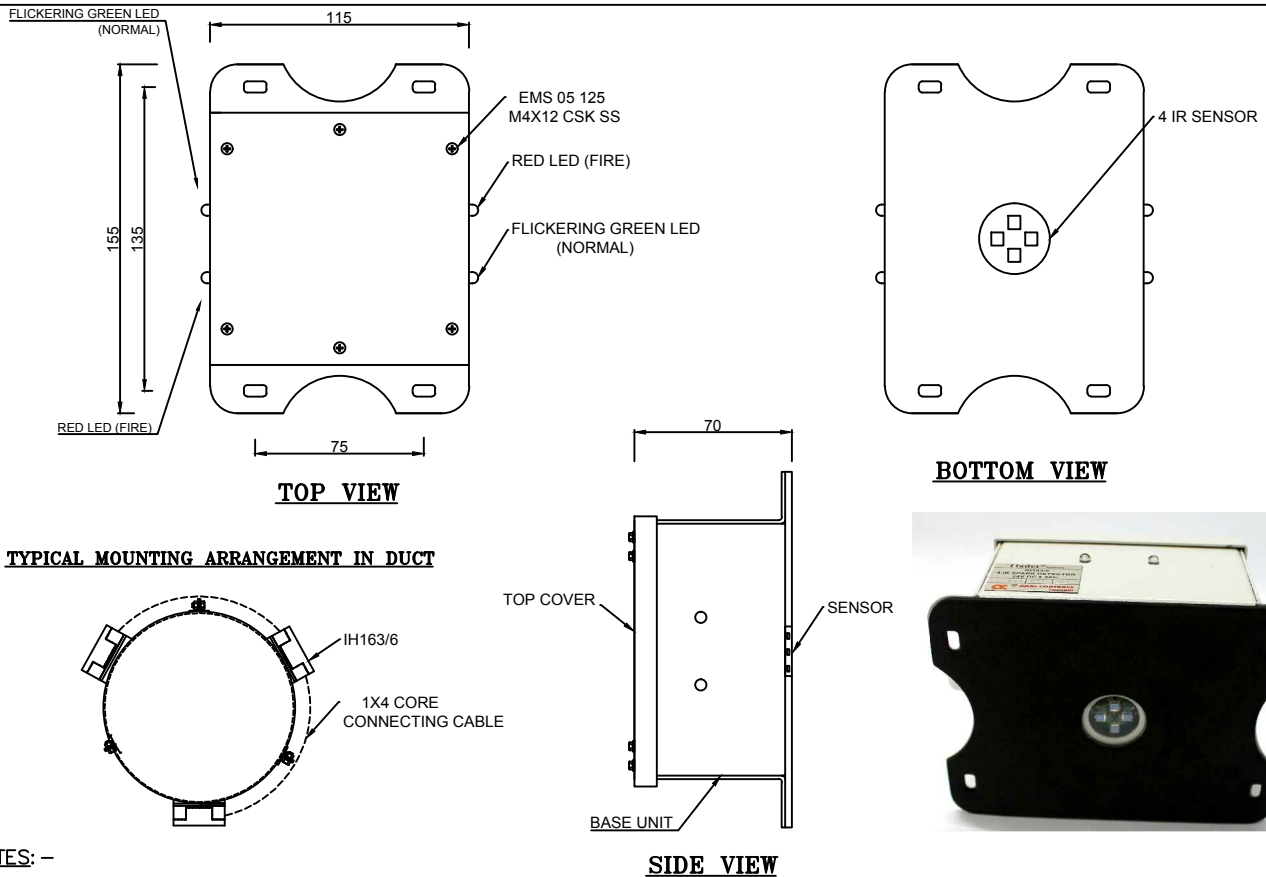
SHEET: 1 OF 1

APPD. BY : *[Signature]*

REV-01-MAY.2014: BOTTOM VIEW INCLUDED. REV-02-APR.2016: IP PROTECTION DETAILS ADDED.  
REV-03-MAR.2019: REV 03 IS THE SAME AS REV 02 EXCEPT FOR ADDING ISO 9001:2015

### INTRODUCTION :-

4 IR SPARK DETECTOR MODULE SUITABLE FOR MOUNTING DIRECTLY ON DUCT / MACHINERY TO CONNECT WITH FIRE ALARM PANEL/ ANNUNCIATION PANEL/ PLC USING SUITABLE POTENTIAL FREE CONTACTS.  
NOTE: THIS DATASHEET CAN BE ALSO REFERRED AS DOC. NO: DP-5.8-CP-292



### NOTES: -

1. ALL DIMENSIONS ARE IN "mm" UNLESS OTHERWISE SPECIFIED.
2. TOLERANCE ON DIMENSION  $\pm 3$  mm, UNLESS OTHERWISE SPECIFIED.

### TECHNICAL SPECIFICATION

01.	MANUFACTURER	AGNI CONTROLS - CHENNAI	12.	INDICATION	NORMAL-FLICKERING GREEN LEDS FIRE - RED LEDS
02.	MODEL NO.	fladet IH163/6 - APFP	13.	OUTPUT	1. POTENTIAL FREE 'NO' CONTACT FOR FIRE. 2. POTENTIAL FREE 'NC' CONTACT FOR FAULT. ( 'NC' CONTACT REMAINS 'NO' WHEN DETECTOR IS WORKING)
03.	FINISH	POWDER COATING L GRAY	14.	RELAY CONTACT RATING	1A AT 24V DC, 0.5A AT 120V AC
04.	PRINCIPLE OF DETECTION	IR DETECTION TECHNOLOGY	15.	APPROVAL / CONFORMANCE / CERTIFICATION	IP PROTECTION CERTIFIED BY ETDC
05.	RANGE	400 nm TO 1100 nm			
06.	OPERATING TEMPERATURE	-20°C TO +60°C			
07.	OPERATION	4 WIRE SYSTEM-2 WIRE FOR RESETTABLE 24VDC $\pm 20\%$ INPUT SUPPLY 2 WIRE TO CONNECT OUTPUT SIGNAL.			
08.	RESPONSE TIME	MOMENTARY			
09.	QUIESCENT CURRENT	< 40mA			
10.	ALARM CURRENT	< 100mA			
11.	IP PROTECTION	IP 65			

### IMPORTANT:

AGNI CONTROLS RESERVES THE RIGHT TO CHANGE OR MODIFY WITHOUT PREVIOUS NOTICE ANY DATA OR SPECIFICATION DUE TO CHANGES OR MODIFICATION IN ORDER TO IMPROVE THE PRODUCTS / SYSTEM PRESENTED.

**AGNI CONTROLS**  
CHENNAI  
NO.1, 6TH STREET, Dr.SUBBARAYAN NAGAR,  
KODAMBAKKAM, CHENNAI-600 024, INDIA.  
PHONE : +91 44 2481 2420,  
E-MAIL : engineering@agnicontrols.com WEBSITE : www.balafire.com

**ISO 9001 - 2015**  
**CERTIFIED BY**  
**BUREAU VERITAS**