

fladet[®] SERIES...

DATA SHEET

SPARK DETECTOR ASSEMBLY USING 4 NOS OF 4 IR DETECTOR MODULE

PART NO: IH163/1-4 NI*

DOC. NO: DP-5.8/MT-294

DATE: JUL. 2013
DATE: MAY. 2014

REVISION : 01

SCALE : N.T.S

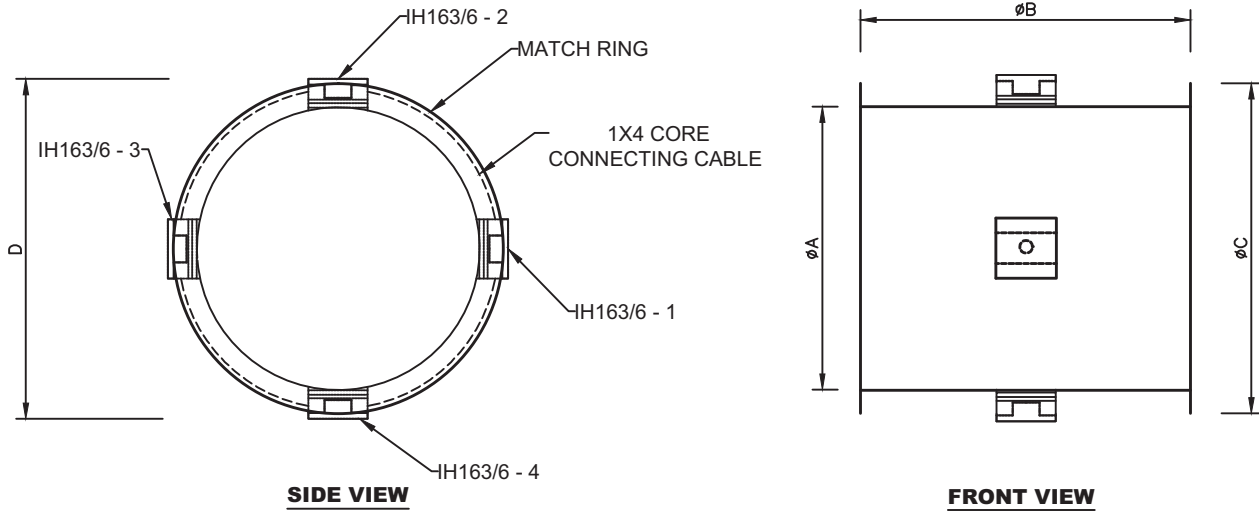
SHEET: 1 OF 2

APPD. BY :

REV-01-MAY.2014: TYPE 2 TERMINAL MOUNTING ARRANGEMENT FOR EXTERNAL CONNECTION ADDED

INTRODUCTION :-

SPARK DETECTOR IS DESIGNED TO USE IN DUCT OF VARIOUS SIZES FOR TEXTILE INDUSTRIES OR OTHER SIMILAR INDUSTRIES WHERE THE POSSIBILITY OF FIRE SPREAD THROUGH DUCT FROM ONE WORK PLACE TO OTHER. IT CONSISTS OF 4 SPARK DETECTOR MODULE PLACE IN 90° SPACING.
NOTE: THIS DATASHEET CAN BE ALSO REFERRED AS DOC. NO: DP-5.8/CP-294



PART DIMENSIONS DETAIL

1. $\text{ØA} = \text{ABOVE } 400$
2. $B = \text{ØA} + 140$
3. $\text{ØC} = \text{ØA} + 50$
4. $D = \text{ØC} + 90$

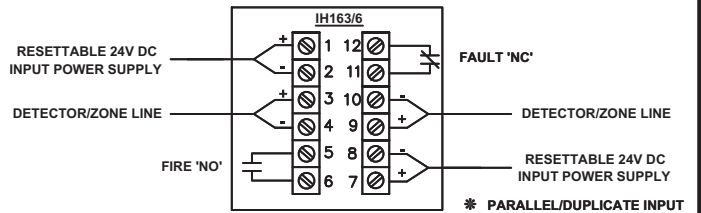
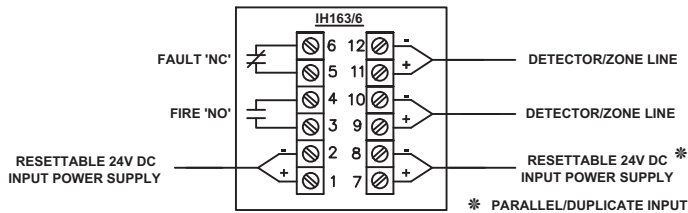
4 IR SPARK DETECTOR MODULE TERMINAL MOUNTING ARRANGEMENT ARE AVAILABLE IN TWO TYPES

REFER : FIG.1 & 2

TERMINAL MOUNTING ARRANGEMENT FOR EXTERNAL CONNECTION (FIG. 1 & 2)

FIG-1 : TYPE 1

FIG-2 : TYPE 2



ONLY TB ARRANGEMENT VARIES FOR TYPE-1 & TYPE-2 PERFORMANCE AND FUNCTION OF THE DETECTOR IS SAME AS TYPE-1 & TYPE-2

IMPORTANT:

AGNI CONTROLS RESERVES THE RIGHT TO CHANGE OR MODIFY WITHOUT PREVIOUS NOTICE ANY DATA OR SPECIFICATION DUE TO CHANGES OR MODIFICATION IN IN ORDER TO IMPROVE THE PRODUCTS / SYSTEM PRESENTED.



NO.1, 6TH STREET, Dr.SUBBARAYAN NAGAR, KODAMBAKKAM, CHENNAI-600 024, INDIA.

PHONE : +91 44 2481 2420, FAX : +91 44 2481 2475,

E-MAIL : engineering@agnicontrols.com WEBSITE : www.balafire.com

ISO 9001 - 2008
CERTIFIED BY
BUREAU VERITAS

fladet[®] SERIES...

DATA SHEET

SPARK DETECTOR ASSEMBLY USING 4 NOS OF 4 IR DETECTOR MODULE

PART NO: IH163/1-4 NI*

DOC. NO: DP-5.8/MT-294

DATE: JUL. 2013
DATE: MAY. 2014

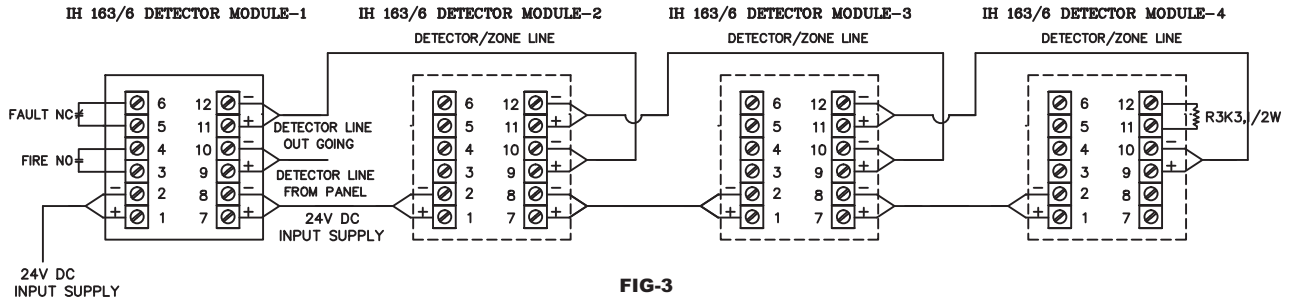
REVISION : 01

SCALE : N.T.S

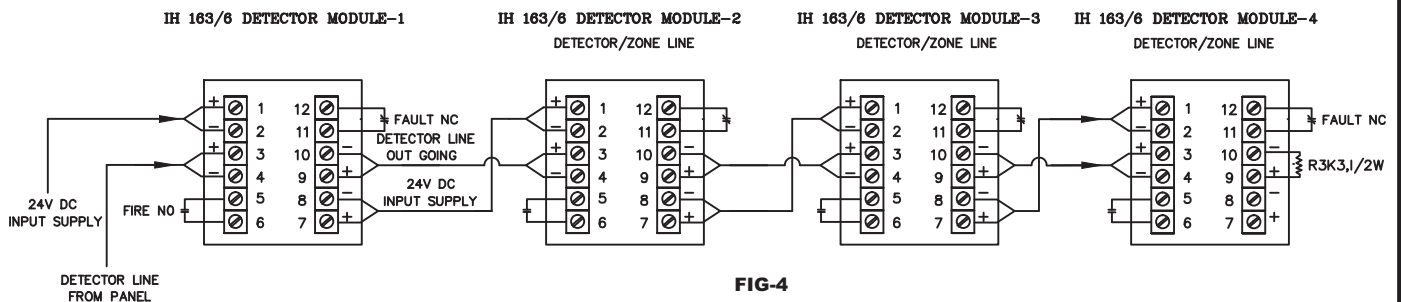
SHEET: 2 OF 2

APPD. BY :

WIRING DETAILS FOR TYPE-1 TERMINAL BLOCK (REFER FIG-3)



WIRING DETAILS FOR TYPE-2 TERMINAL BLOCK (REFER FIG-4)



NOTE:

1. DETECTOR WORKS WITH AGNI CONTROLS MAKE FIRE ALARM PANEL OF SERIES IH044/IH045/IH046 OR ANY OTHER STANDARD CONVENTIONAL PANEL.
 - 1.1. IT IS RECOMMENDED TO CONNECT ONE SPARK DETECTOR ASSEMBLY IN ONE ZONE.
2. ALL DIMENSIONS ARE IN "mm" UNLESS OTHERWISE SPECIFIED.
3. TOLERANCE ON DIMENSION ± 5 mm, UNLESS OTHERWISE SPECIFIED.
4. REFER FOR INDIVIDUAL DETECTOR MODULE REFER DATA SHEET OF IH163/6 DOC.NO: DP-5.8-CP-292.

TECHNICAL SPECIFICATION

01.	WIRING	FOUR WIRE 2 WIRE FOR INPUT SUPPLY 24V DC 2 WIRE TO CONNECT CONVENTIONAL FIRE ALARM PANEL DETECTOR LINE.	04.	TEMPERATURE RANGE	-20° TO +60° C
02.	QUIESCENT CURRENT	150mA MAX. AT 24V DC (4 DETECTOR CONNECTION)	05.	No. OF SPARK DETECTOR MODULE	4 Nos OF IH163/6
03.	ALARM CURRENT	110mA MAX. WHEN CONNECT WITH DETECTOR ZONE LINE (18V DC TO 22V DC) 4 DETECTOR (IH163/6) CONNECT	06.	PRINCIPLE OF SPARK DETECTOR	IR. DETECTION TECHNOLOGY
			07.	INDICATION	GREEN LED FLICKER AT 7 TO 10 SEC. INTERVAL TO INDICATE NORMAL CONDITION. RED LED INDICATE FIRE CONDITION.
			08.	RESPONSE TIME	MOMENTARY

IMPORTANT:

AGNI CONTROLS RESERVES THE RIGHT TO CHANGE OR MODIFY WITHOUT PREVIOUS NOTICE ANY DATA OR SPECIFICATION DUE TO CHANGES OR MODIFICATION IN IN ORDER TO IMPROVE THE PRODUCTS / SYSTEM PRESENTED.



NO.1, 6TH STREET, Dr.SUBBARAYAN NAGAR,
KODAMBAKKAM, CHENNAI-600 024, INDIA.

PHONE : +91 44 2481 2420, FAX : +91 44 2481 2475,
E-MAIL : engineering@agnicontrols.com WEBSITE : www.balafire.com

**ISO 9001 - 2008
CERTIFIED BY
BUREAU VERITAS**