

fladet[®] SERIES...

DATA SHEET	TRIPLE IR FLAME DETECTOR	PART NO : IH1555
-------------------	---------------------------------	-----------------------------

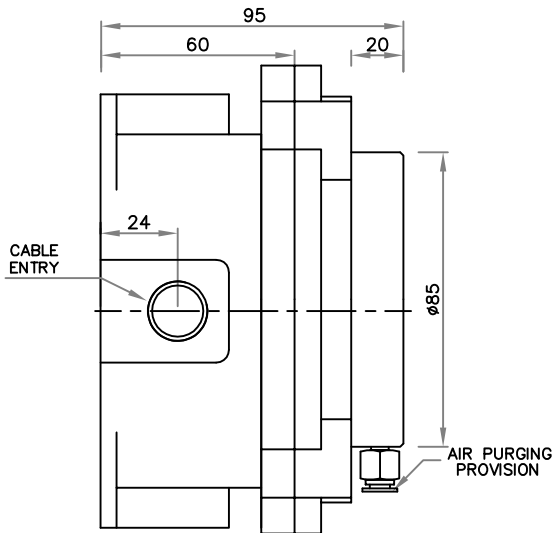
DOC. NO: DP-5.8/MT-510	DATE: AUG. 2024	REV : 04	SCALE : N.T.S	SHEET : 1 OF 2	APPD. BY : DB
------------------------	-----------------	----------	---------------	----------------	---------------

INTRODUCTION :-

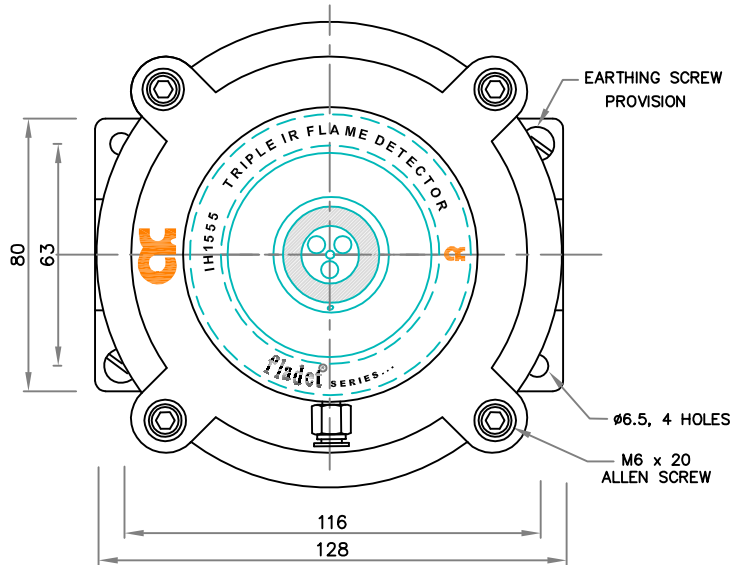
TRIPLE IR FLAME DETECTOR WITH IP 66 ENCLOSURE IS SUITABLE TO USE IN SPECIAL APPLICATIONS TO DETECT FLAME. THIS IS A 4 WIRE DEVICE. THE DETECTOR HAS PROVISION TO CONNECT DIRECTLY TO ANY STANDARD CONVENTIONAL FIRE ALARM PANEL OR TO CONNECT WITH ANNUNCIATOR OR PLC USING POTENTIAL FREE 'NO' CONTACTS. DETECTOR GIVE FIRE INDICATION AFTER COMPARING 3 IR SENSOR FOR ACTUAL FIRE, ELIMINATING FALSE ALARMS.

REV - 04 TESTING DETAILS IS UPDATED

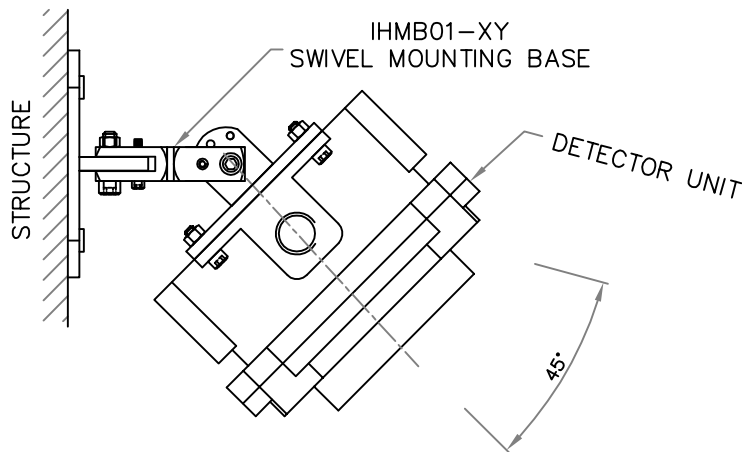
NOTE : THIS DATASHEET CAN BE ALSO REFERRED AS DOC. NO: DP-5.8/CP-510



SIDE VIEW



ELEVATION



RECOMMENDED MOUNTING ARRANGEMENT

NOTE :

1. ALL DIMENSIONS ARE IN "mm" UNLESS OTHERWISE SPECIFIED.
2. TOLERANCE ON DIMENSION ± 3 mm, UNLESS OTHERWISE SPECIFIED.
3. *DISTANCE TO BE CONFIRMED DURING PLACEMENT OF ORDER.

IMPORTANT:

AGNI CONTROLS RESERVES THE RIGHT TO CHANGE OR MODIFY WITHOUT PREVIOUS NOTICE ANY DATA OR SPECIFICATION DUE TO CHANGES OR MODIFICATION IN ORDER TO IMPROVE THE PRODUCTS/SYSTEM PRESENTED.

AGNI CONTROLS
CHENNAI
NO.1, 6TH STREET, Dr.SUBBARAYAN NAGAR,
KODAMBAKKAM, CHENNAI-600 024, INDIA.
PHONE : +91 44 2481 2420,
E-MAIL : engineering@agnicontrols.com WEBSITE : www.balafire.com

ISO 9001 - 2015
CERTIFIED BY
BUREAU VERITAS

fladet[®] SERIES...

DATA SHEET

TRIPLE IR FLAME DETECTOR

**PART NO :
IH1555**

DOC. NO:DP-5.8/CP-510 DATE: AUG. 2024 REV : 04 SCALE : N.T.S SHEET : 2 OF 2 APPD. BY : DB

TECHNICAL SPECIFICATION

01.	MANUFACTURER	AGNI CONTROLS – CHENNAI			2. ONE SET OF NO-COM-NC CONTACT FOR FAULT PLUS ONE SET OF DUPLICATE NO-COM-NC CONTACT.
02.	MATERIAL	CAST ALUMINIUM LM6			
03.	FINISH	ENCLOSURE- HAMMER TONE GRAY			
04.	CABLE ENTRY	M20X1.5 – 3NOS.			
05.	PROTECTION CLASS	IP 66			3. ZONE DETECTOR LINE TO CONNECT DIRECTLY STANDARD CONVENTIONAL FIRE ALARM PANEL.
06.	SENSING ELEMENT	3 IR			
07.	RANGE	IR – 3000 – 5500 nm	17.	APPROVAL / CONFORMANCE / CERTIFICATION	1. CONFORMING REQUIREMENT OF EN 54-10 2. CONFORMING REQUIREMENT OF IS-2189.
08.	FASTENERS	SS 304			
09.	OPERATING TEMPERATURE	-20°C TO +60°C			
10.	SUPPLY	24V DC ± 20%, (RESETTABLE)			
11.	QUIESCENT CURRENT	< 120 mA	18.	FIRE FLAME DETECTION CAPABILITY	*30/50 MTR WITHIN 5 to 30 SEC FOR 1SQ.FT 'N' HEPTANE FIRE FLAME. (XX) – MORE DETAILS REFER INSTALLATION PROCEDURE OR CONTACT MANUFACTURER FOR CONFIRMATION AND RECOMMENDATIONS.
12.	ALARM CURRENT	< 150 mA			
13.	INDICATION	NORMAL –GREEN LED FIRE – RED LED FLASHING			
14.	APPLICATION	INDOOR AND SEMI OUTDOOR			
15.	RELAY CONTACT RATING	1A AT 24VDC, 0.5A AT 120VAC			
16.	OUTPUT	1.ONE SET OF NO-COM-NC CONTACT FOR FIRE PLUS ONE SET OF DUPLICATE NO-COM-NC CONTACT.			

INSTALLATION CONSIDERATION :

Detector must be installed such that no obstruction is on the way of sight of the detector.

MAINTENANCE & INSPECTION:

To assure maximum detector sensitivity, keep the surface of the optical filter free from dirt or other contaminants at all times. The unit is ready for flame detection after 60 sec or Constant glow of green LED, whenever input supply is switch ON or reset.

TESTING:

Precaution while testing the flame detector:

It is advised to test the detector after 5min interval from each testing. Repeating the flame test 3 or 4 times within 5min time duration, may cause the detector to go into rejection mode. the detector may consider it as fault source.

PACKING SIZE : 290(L) x 165(B) x 185(H) (all in mm)

PACKING WEIGHT : 3.8 kg.Max

IMPORTANT:

AGNI CONTROLS RESERVES THE RIGHT TO CHANGE OR MODIFY WITHOUT PREVIOUS NOTICE ANY DATA OR SPECIFICATION DUE TO CHANGES OR MODIFICATION IN ORDER TO IMPROVE THE PRODUCTS/SYSTEM PRESENTED.


 NO.1, 6TH STREET, Dr.SUBBARAYAN NAGAR,
 KODAMBAKKAM, CHENNAI-600 024, INDIA.
 PHONE : +91 44 2481 2420,
 E-MAIL : engineering@agnicontrols.com WEBSITE : www.balafire.com

**ISO 9001 - 2015
 CERTIFIED BY
 BUREAU VERITAS**