

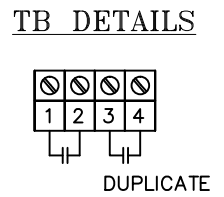
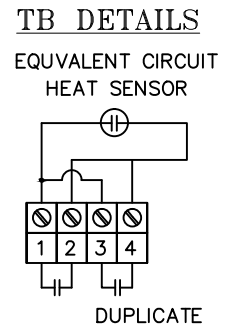
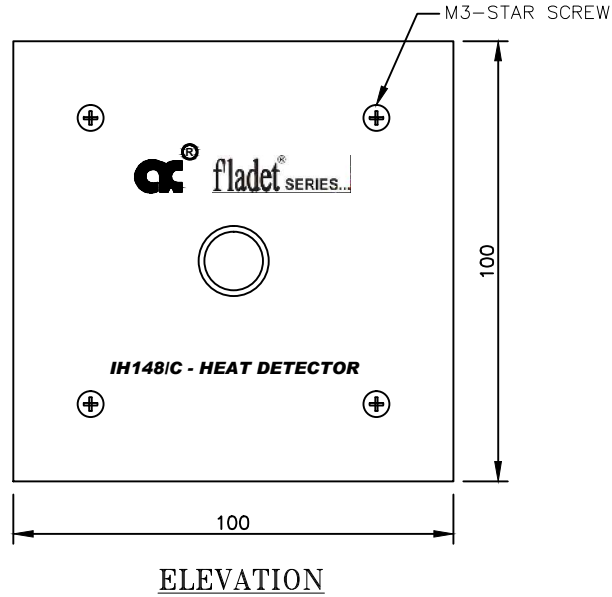
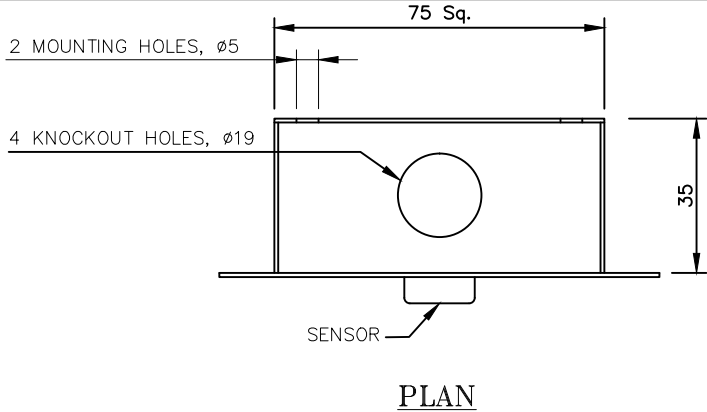
fladet[®] SERIES...

DATA SHEET	FIXED TEMPERATURE BI - METAL & AUTO RESET TYPE HEAT DETECTOR - WALL MOUNTING TYPE	PART NO : IH148/C
-------------------	----------------------------------------------------------------------------------------------	-------------------

OLD DWG. NO:DP-5.8/08-147	DATE:MAR. 2019	REVISION :02	SCALE : N.T.S	SHEET: 1 OF 1	APPD. BY : <i>Selva</i>
---------------------------	----------------	--------------	---------------	---------------	-------------------------

REV-01-NOV.2014:- ADDED NAME PLATE DETAILS IN ENCLOSURE
 REV-02-MAR.2019:- REV 02 IS THE SAME AS REV 01 EXCEPT FOR ADDING ISO 9001:2015

INTRODUCTION :-
 FIXED TEMPERATURE BI - METAL & AUTO RESET TYPE HEAT DETECTOR - 60°C TEMPERATURE SETTING WITH 'NO' CONTACT WILL CLOSE WHEN TEMPERATURE REACHES 60' 3°C AS APPLICABLE SUITABLE FOR WALL OR SURFACE MOUNTING TYPE.
NOTE:- THIS DATASHEET CAN BE ALSO REFERRED AS NEW DOC. NO:DP-5.8/CP-055



- NOTES**
1. ALL DIMENSIONS ARE IN "mm" UNLESS OTHERWISE SPECIFIED.
 2. TOLERANCE ON DIMENSION ± 3 mm, UNLESS OTHERWISE SPECIFIED.

TECHNICAL SPECIFICATION

01.	WIRING	TWO WIRE	05.	PRINCIPLE OF DETECTOR	BI - METAL PRINCIPLE
02.	SUPPLY VOLTAGE	NOT APPLICABLE	06.	CABLE ENTRY	(ø19mm KNOCKOUT HOLES) (ONE AT EACH SIDE)
03.	DETECTOR SETTING TEMPERATURE	60°C (140°F)	07.	CONTRUCTION	20SWG C.R. SHEET
04.	CONTACTING RATING	5A AT 24V DC	08.	DIMENSION	100 (L) X 100 (W) X 35 (H)

IMPORTANT:

AGNI CONTROLS RESERVES THE RIGHT TO CHANGE OR MODIFY WITHOUT PREVIOUS NOTICE ANY DATA OR SPECIFICATION DUE TO CHANGES OR MODIFICATION IN ORDER TO IMPROVE THE PRODUCTS / SYSTEM PRESENTED.

AGNI CONTROLS
CHENNAI

NO.1, 6TH STREET, Dr.SUBBARAYAN NAGAR,
KODAMBAKKAM, CHENNAI-600 024, INDIA.
PHONE : +91 44 2481 2420,
E-MAIL : engineering@agnicontrols.com WEBSITE : www.balafire.com

ISO 9001 - 2015
CERTIFIED BY
BUREAU VERITAS