

DATA SHEET

**FIXED TEMPERATURE BI - METAL & AUTO RESET
TYPE HEAT DETECTOR - DUCT MOUNTING TYPE**

PART NO : IH148/1

OLD DWG. NO:DP-5.8/08-107

DATE: JULY 2010

REVISION : 00

SCALE : N.T.S

SHEET: 1 OF 1

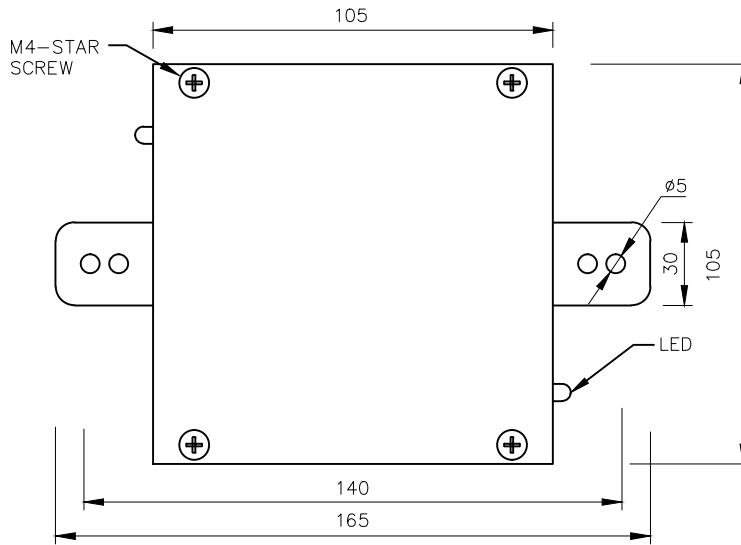
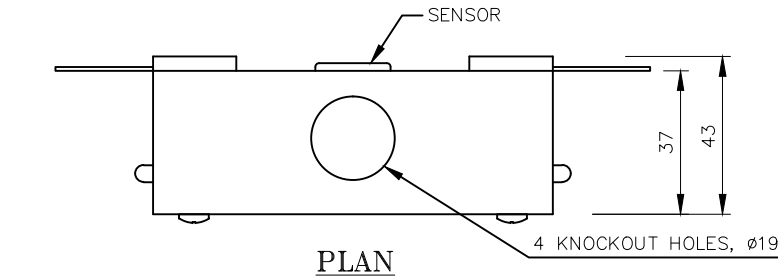
APPD. BY :



INTRODUCTION :-

FIXED TEMPERATURE BI – METAL & AUTO RESET TYPE HEAT DETECTOR – 60°C TEMPERATURE SETTING WITH DUAL LED INDICATION SUITABLE FOR DUCT MOUNTING TYPE.

NOTE:- THIS DATASHEET CAN BE ALSO REFERRED AS DOC. NO:DP-5.8/CP-053



TB DETAILS



- + + -
IN LINE OUT LINE

(12V – 24V DC)

(PER ZONE MAX. 10 DETECTOR)

NOTE.

1. DETECTOR WORKS WITH ANY STANDARD CONVENTIONAL FIRE ALARM PANEL.
2. RECOMMENDED TO CONNECT UP TO 10 DETECTORS PER ZONE.
3. ALL DIMENSIONS ARE IN "mm" UNLESS OTHERWISE SPECIFIED.
4. TOLERANCE ON DIMENSION ± 3MM, UNLESS OTHERWISE SPECIFIED.

TECHNICAL SPECIFICATION

01.	DETECTOR WIRING TYPE	TWO WIRE SYSTEM	06.	OPERATING PRINCIPLE	BI – METAL PRINCIPLE & AUTO RESET
02.	SUPPLY VOLTAGE	12 – 24V DC (ZONE LINE)	07.	RESPONSE INDICATION	TWO RED LED
03.	QUIESCENT CURRENT	NIL (WITH OUT END LINE RESISTOR) 2mA–5mA(WITH END LINE RESISTOR)	08.	CABLE ENTRY	(Ø19mm KNOCKOUT HOLES) (ONE AT EACH SIDE)
04.	ALARM CURRENT	45 mA	09.	CONSTRUCTION	20SWG C.R. SHEET
05.	DETECTOR SETTING TEMPERATURE	60°C (140°F)	10.	DIMENSION	105 (L) X 105 (W) X 37 (H)

IMPORTANT:

AGNI CONTROLS RESERVES THE RIGHT TO CHANGE OR MODIFY WITHOUT PREVIOUS NOTICE ANY DATA OR SPECIFICATION DUE TO CHANGES OR MODIFICATION IN ORDER TO IMPROVE THE PRODUCTS / SYSTEM PRESENTED.



NO.1, 6TH STREET, Dr.SUBBARAYAN NAGAR,
KODAMBAKKAM, CHENNAI-600 024, INDIA.

PHONE : +91 44 2481 2420, FAX : +91 44 2481 2475,

E-MAIL : engineering@agnicontrols.com WEBSITE : www.balafire.com

ISO 9001 - 2008
CERTIFIED BY
BUREAU VERITAS