

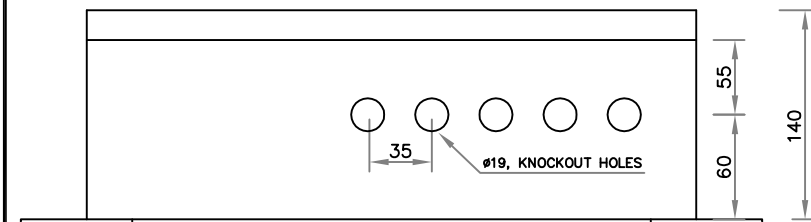
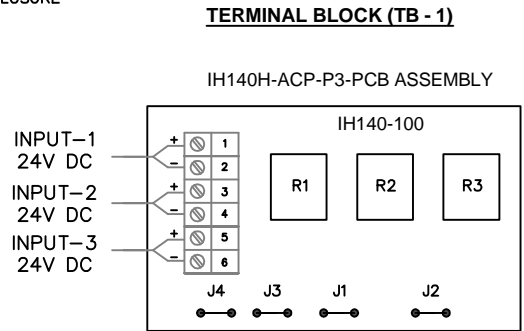
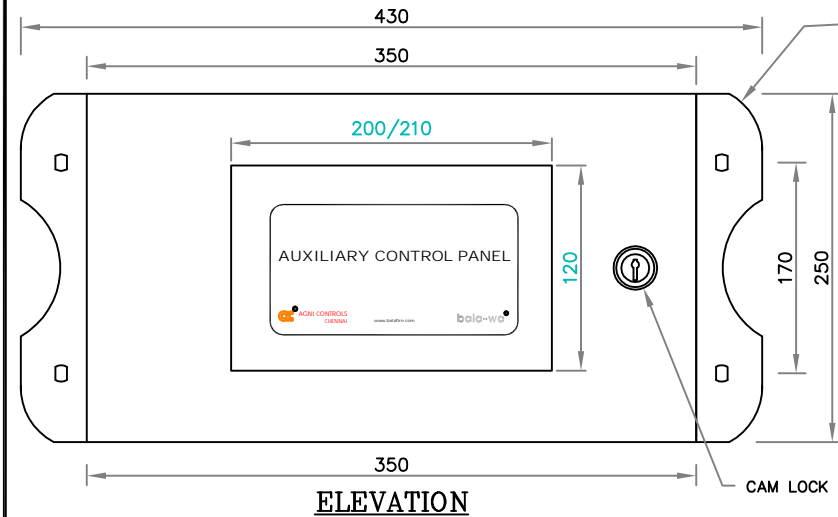
DATA SHEET	AUXILIARY CONTROL PANEL	PART NO : IH140-ACP
-------------------	--------------------------------	---------------------

OLD DWG.NO.:DP-5.8/12-481	DATE: JAN. 2020	REVISION : 03	SCALE : N.T.S	SHEET : 1 OF 1	APPD. BY : DBS
NEW DOC.NO.:DP-5.8/MT-013					

REV-03-JAN.2020: KNOCKOUT HOLES UPDATED.

INTRODUCTION :-

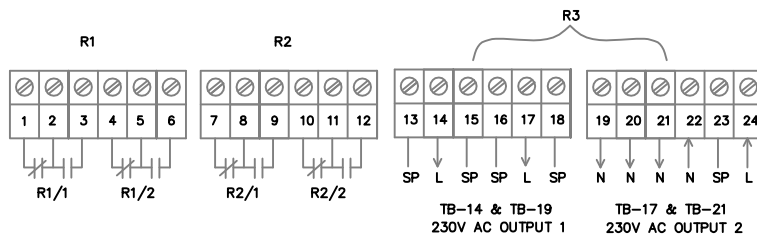
AUXILIARY CONTROL PANEL IS USED WITH FIRE ALARM SYSTEM AND OTHER FIRE SUPPRESSION SYSTEM TO SHUTDOWN THE MACHINERIES. FOR COMMON FIRE INPUTS, 4 SET OF POTENTIAL FREE 'NO' AND 'NC' CONTACTS ARE AVAILABLE. TWO SET OF POTENTIAL CONTACT OF 230V AC ARE AVAILABLE TO OPERATE DAMPER OR VALVE OR ANY OTHER EQUIPMENT NOT EXCEEDING 500 WATTS.



BOTTOM VIEW

IMPORTANT NOTE:

1. PROVIDE SUPPLY INPUT OF 24V DC.
2. ALL THREE RELAYS R1, R2 & R3 WILL BE ENERGIZED BY USING JUMPER J4, J3, J1 & J2.
3. INPUT 230V AC TO BE GIVEN TERMINAL 24 AND 22 ('L' AND 'N').
4. USE ANY 'L' AND 'N' 230V AC OUTPUT ONE OR TWO OUTPUTS. CAN BE TAKEN.



L - LINE
N - NEUTRAL
SP - SPARE

TERMINAL BLOCK (TB - 2)

CAUTION: (TB - 2)

1. HIGH VOLTAGE MAY BE USED TO TRIP THE EQUIPMENT.
2. ISOLATE HIGH VOLTAGE ELSE WHERE.

NOTE:

01. ALL DIMENSIONS ARE IN "mm" UNLESS OTHERWISE SPECIFIED.
02. TOLERANCE ON DIMENSION ± 3 mm, UNLESS OTHERWISE SPECIFIED.

TECHNICAL SPECIFICATION

01.	CONSTRUCTION	C.R SHEET ENCLOSURE	06.	CABLE ENTRY	BOTTOM CABLE ENTRY (Ø19mm KNOCKOUT HOLES) L GRAY
02.	INPUT SUPPLY VOLTAGE	24 V DC	07.	PAINT SHADE	
03.	OPERATING VOLTAGE	24 V DC	08.	OVER ALL DIMENSIONS	350(L) x140(W) x 250(H)
04.	CURRENT	300 mA Max.	09.	TERMINAL	CLOSED 15Amps
05.	TYPE OF MOUNTING	WALL MOUNTING TYPE	10.	CONTACT RATING	24V DC/250V AC – 8Amps

IMPORTANT:

AGNI CONTROLS RESERVES THE RIGHT TO CHANGE OR MODIFY WITHOUT PREVIOUS NOTICE ANY DATA OR SPECIFICATION DUE TO CHANGES OR MODIFICATION IN ORDER TO IMPROVE THE PRODUCTS / SYSTEM PRESENTED.



NO.1, 6TH STREET, Dr.SUBBARAYAN NAGAR, KODAMBAKKAM, CHENNAI-600 024, INDIA.

PHONE : +91 44 2481 2420

E-MAIL : engineering@agnicontrols.com WEBSITE : www.balafire.com

ISO 9001 - 2015
BUREAU VERITAS
CERTIFICATION