

DATA SHEET

MANIFOLD SAFETY VALVE

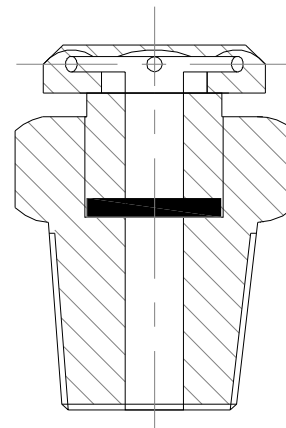
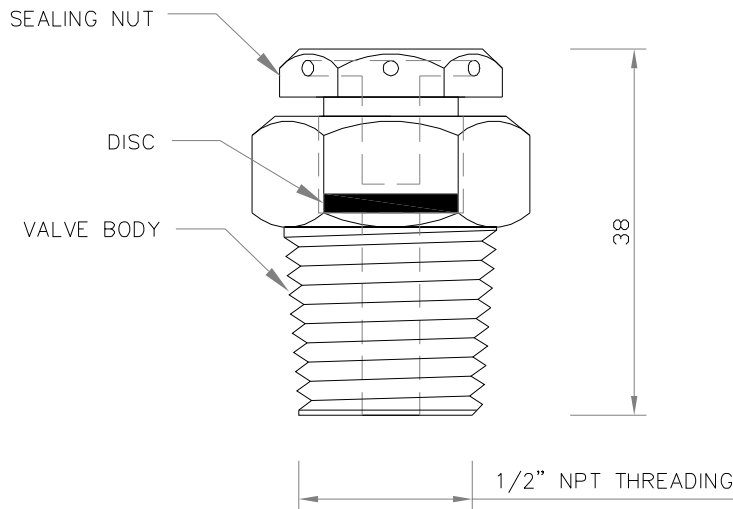
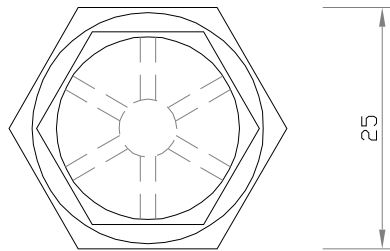
PART NO : IH138

OLD DWG.NO DP-5.8/08-050	DATE : 14-03-08	REV. : 00	SCALE : N.T.S	SHEET : 1 OF 1	APPD. BY : D.B
NEW DWG.NO.:DP-5.8/MT-254	DATE : JUNE 2013				

INTRODUCTION :-

THE MANIFOLD SAFETY VALVE IS DESIGNED TO BE USED IN CLOSED PIPING NETWORK SECTION WHERE THERE IS A RISK OF PRESSURE INCREASE.

TOP VIEW



ELEVATION

NOTE:

- 01. ALL DIMENSIONS ARE IN "mm" UNLESS OTHERWISE SPECIFIED.
- 02. TOLERANCE ON DIMENSION ± 2 mm, UNLESS OTHERWISE SPECIFIED.

TECHNICAL SPECIFICATION

01.	MANUFACTURER	AGNI CONTROLS - CHENNAI
02.	MATERIAL OF CONSTRUCTION	BRASS
03.	BURST DISC OPERATING PRESSURE	165 BAR TO 195 BAR AT 20°C
04.	WORKING PRESSURE	140-150 BAR
05.	WEIGHT	0.10 Kg (APP.)

IMPORTANT:

AGNI CONTROLS RESERVES THE RIGHT TO CHANGE OR MODIFY WITHOUT PREVIOUS NOTICE ANY DATA OR SPECIFICATION DUE TO CHANGES OR MODIFICATION IN ORDER TO IMPROVE THE PRODUCTS / SYSTEM PRESENTED.



**AGNI CONTROLS
CHENNAI**
NO.1, 6TH STREET, Dr.SUBBARAYAN NAGAR,
KODAMBAKKAM, CHENNAI-600 024, INDIA.
PHONE : +91 44 2481 2420, FAX : +91 44 2481 2475,
E-MAIL : engineering@agnicontrols.com WEBSITE : www.balafire.com

ISO 9001 - 2008
CERTIFIED BY
BUREAU VERITAS