

DATA SHEET

4 ZONE FIRE DETECTION AND TWO DISCHARGE PANEL

PART NO :
IH046MR AC-Z4/D2-APS

OLD DWG.NO.:DP-5.8/11-451

DATE :DEC. 2012

REVISION : 00

SCALE : N.T.S

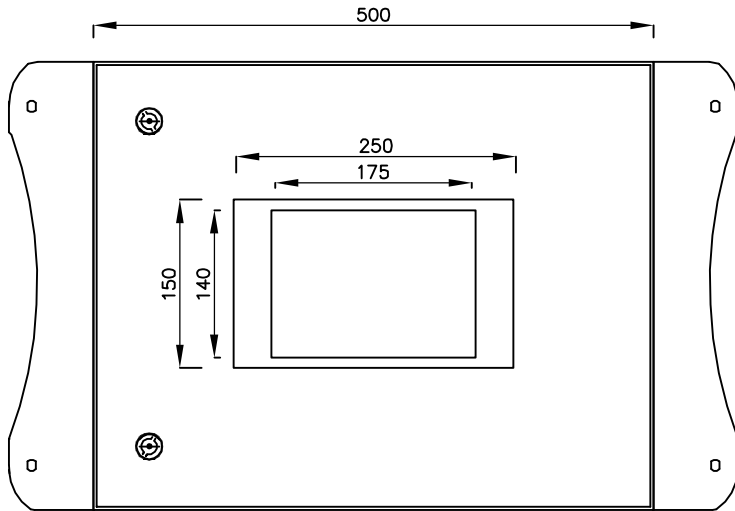
SHEET : 1 OF 1

APPD. BY :D.B

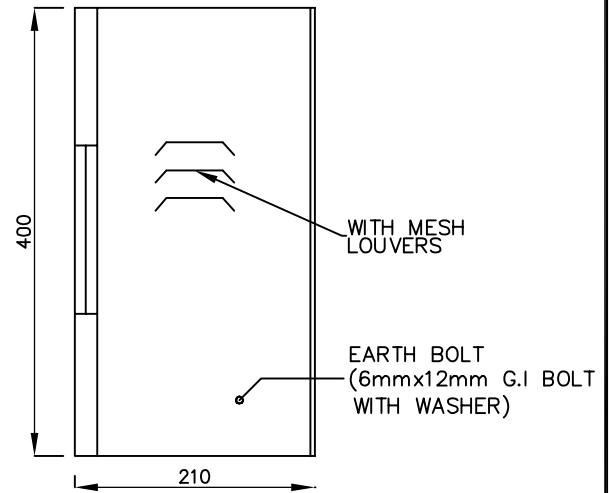
NEW DWG.NO.:DP-5.8/MT-032

INTRODUCTION :-

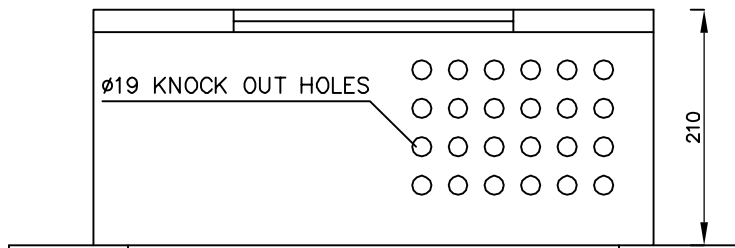
FOUR ZONE CONVENTIONAL MICROPROCESSOR FIRE ALARM PANEL WITH TWO AREA GAS DISCHARGE MODULE IS USED IN FIRE DETECTION AND GAS FIRE EXTINGUISHING SYSTEM.



FRONT VIEW



SIDE VIEW



BOTTOM VIEW

NOTE :

1. ALL DIMENSIONS ARE IN "mm" UNLESS OTHERWISE SPECIFIED.
2. TOLERANCE ON DIMENSION ± 3 mm, UNLESS OTHERWISE SPECIFIED.

TECHNICAL SPECIFICATION

01.	TYPE OF MOUNTING	WALL MOUNTING TYPE.	06.	WORKING VOLTAGE	24V DC
02.	CABLE BOTTOM ENTRY	$\phi 19$ mm KNOCK OUTS-24 Nos.	07.	PRIMARY SOURCE	120-220VAC +10% -15%,
03.	OVER ALL DIMENSIONS	500(L) x 400(H) x210(W)	08.	SECONDARY SOURCE	60/50HZ, 2.5Amps
04.	CONSTRUCTION OF PANEL	1.66mm (16 SWG) C.R SHEET	09.	SIGNALING VOLTAGE TO DETECTORS	2x12V DC OF SUITABLE AMPS. SMF BATTERY
05.	CONSTRUCTION OF DOOR	2mm (14 SWG) C.R SHEET	10.	PAINT	18-22V DC.
					SIGNAL RED TEXTURE

IMPORTANT:

AGNI CONTROLS RESERVES THE RIGHT TO CHANGE OR MODIFY WITHOUT PREVIOUS NOTICE ANY DATA OR SPECIFICATION DUE TO CHANGES OR MODIFICATION IN ORDER TO IMPROVE THE PRODUCTS / SYSTEM PRESENTED.



AGNI CONTROLS
CHENNAI

NO.1, 6TH STREET, Dr.SUBBARAYAN NAGAR,
KODAMBAKKAM, CHENNAI-600 024, INDIA.

PHONE : +91 44 2481 2420, FAX : +91 44 2481 2475,

E-MAIL : engineering@agnicontrols.com WEBSITE : www.balafire.com

ISO 9001 - 2008
CERTIFIED BY
BUREAU VERITAS