

fladet[®] SERIES...

DATA SHEET

VARIABLE TEMPERATURE PROBE TYPE HEAT DETECTOR

PART NO : IH042VTC
(0-400)°C

OLD DWG. NO.:DP-5.8/10-317

DATE: JULY.2025

REVISION : 05

SCALE : N.T.S

SHEET: 1 OF 2

APPD. BY : DB

NEW DOC. NO.:DP-5.8/MT-011

INTRODUCTION :-

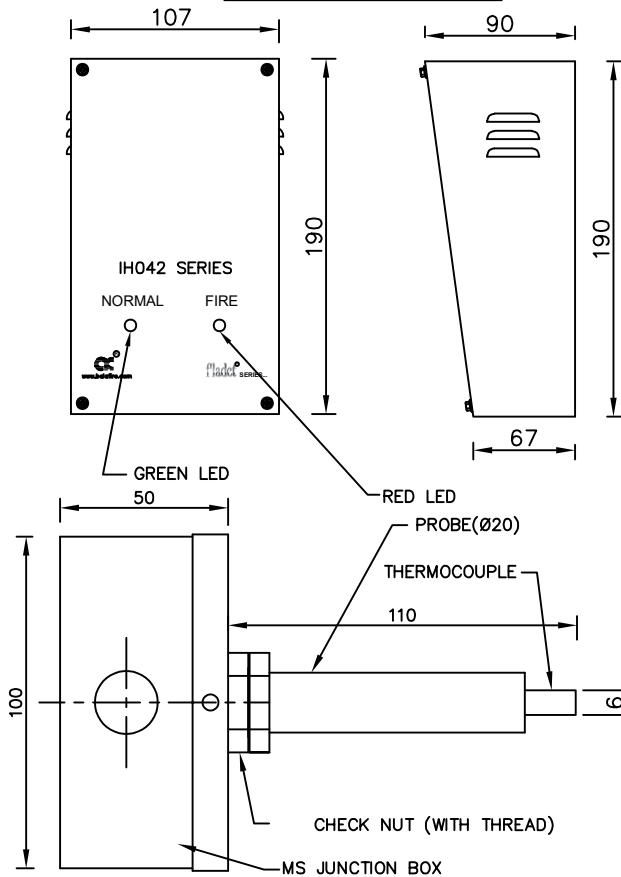
HIGH TEMPERATURE PROBE TYPE HEAT DETECTOR IS SUITABLE TO USE IN SPECIAL APPLICATION WHERE NORMAL TEMPERATURE RANGES FROM 0°C-400°C. 4 WIRE SYSTEM, SUITABLE TO CONNECT WITH ANY STANDARD CONVENTIONAL FIRE ALARM PANEL / ADDRESSABLE FIRE ALARM PANEL / ANNUNCIATION PANEL / PLC.

NOTE: THIS DATASHEET CAN BE ALSO REFERRED AS DOC. NO.:DP-5.8/CP-011

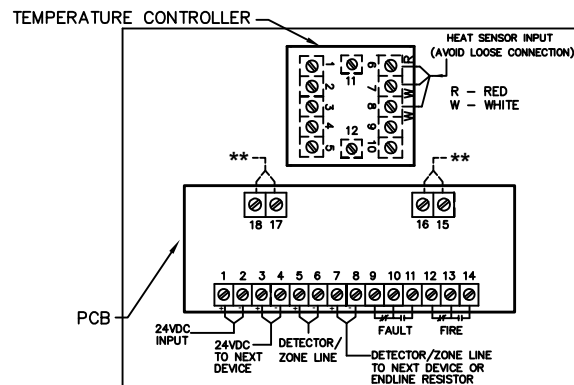
REV 03:- CHANGES IN DIMENSION

REV 04:- TB DETAILS UPDATED

HEAT DETECTOR CONTROL UNIT



TB DETAILS



**** NO FIELD CONNECTION REQUIRED
(ALREADY CONNECTED AT FACTORY)**

NOTE:

- CONTROL UNIT SHOULD BE KEPT AWAY FROM HEAT ZONE BY USING 8 mtr. LONG DETECTOR PROBE CABLE.
- ONE CONTROL UNIT IS REQUIRED FOR ONE HEAT DETECTOR PROBE
- ALL DIMENSIONS ARE IN "mm" UNLESS OTHERWISE SPECIFIED.
- TOLERANCE ON DIMENSION ± 3 mm, UNLESS OTHERWISE SPECIFIED.

TECHNICAL SPECIFICATION

01. MAKE	AGNI CONTROLS - CHENNAI	10. INPUT SUPPLY	RESETTABLE 24V DC $\pm 10\%$
02. MODEL NO	APFP	11. OUTPUT	1.ONE SET OF NO-COM-NC CONTACT FOR FIRE
03. SENSOR TYPE	RTD		2.ONE SET OF NO-COM-NC CONTACT FOR FAULT
04. LENGTH OF SENSOR CABLE	8 mtrs (max).		3.ZONE DETECTOR LINE TO CONNECT DIRECTLY STANDARD CONVENTIONAL FIRE ALARM PANEL
05. TEMPERATURE SETTING	0°C TO 400°C		
06. FIELD SETTING	AVAILABLE ONLY FOR AUTHORISED PERSON	12 RELAY CONTACT RATING	1A @ 24VDC, 0.5A @ 120VAC
07. SET TEMPERATURE TOLERANCE	$\pm 5\%$	13. INDICATION	FLICKERING GREEN LED FOR HEALTHY CONDITION
08. MATERIAL OF CONSTRUCTION	MS SHEET FABRICATION		RED LED FOR FIRE INDICATION
09. FINISHING	FIRE RED		
10. CURRENT CONSUMPTION	MAX. 150mA		

IMPORTANT:

AGNI CONTROLS RESERVES THE RIGHT TO CHANGE OR MODIFY WITHOUT PREVIOUS NOTICE ANY DATA OR SPECIFICATION DUE TO CHANGES OR MODIFICATION IN ORDER TO IMPROVE THE PRODUCTS / SYSTEM PRESENTED.

AGNI CONTROLS

NO.1, 6TH STREET, Dr.SUBBARAYAN NAGAR,
KODAMBAKKAM, CHENNAI-600 024, INDIA.

PHONE : +91 44 2481 2420,

E-MAIL : engineering@agnicontrols.com WEBSITE : www.balafire.com

**ISO 9001 - 2015
BUREAU VERITAS
CERTIFICATION**

fladet[®] SERIES...

DATA SHEET

**VARIABLE TEMPERATURE PROBE TYPE
HEAT DETECTOR**

PART NO : IH042VTC
(0-400)°C

OLD DWG. NO.:DP-5.8/10-317

DATE: JULY.2025

REVISION : 05

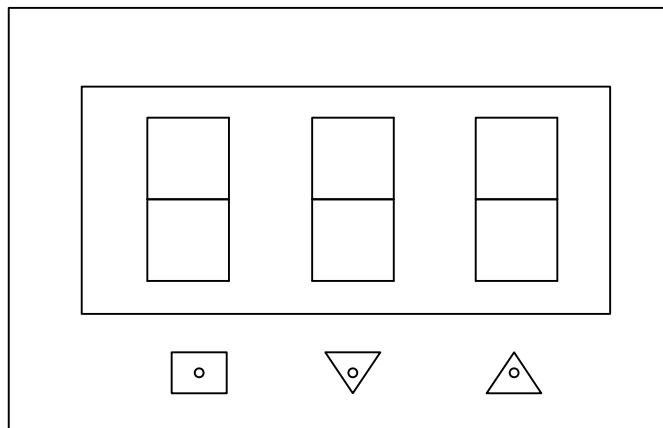
SCALE : N.T.S

SHEET: 2 OF 2

APPD. BY : DB

NEW DOC. NO.:DP-5.8/MT-011

TEMPERATURE CONTROLLER



TO CHANGE THE TEMPERATURE SETTING:



PRESS BOTH TO DECREASE THE TEMPERATURE



PRESS BOTH TO INCREASE THE TEMPERATURE

IMPORTANT:

AGNI CONTROLS RESERVES THE RIGHT TO CHANGE OR MODIFY WITHOUT PREVIOUS NOTICE ANY DATA OR SPECIFICATION DUE TO CHANGES OR MODIFICATION IN ORDER TO IMPROVE THE PRODUCTS / SYSTEM PRESENTED.

AGNI CONTROLS

NO.1, 6TH STREET, Dr.SUBBARAYAN NAGAR,
KODAMBAKKAM, CHENNAI-600 024, INDIA.

PHONE : +91 44 2481 2420,

E-MAIL : engineering@agnicontrols.com WEBSITE : www.balafire.com

**ISO 9001 - 2015
BUREAU VERITAS
CERTIFICATION**