

fladet[®] SERIES...

DATA SHEET

PROBE TYPE HORIZONTAL HEAT DETECTOR WITH JUNCTION BOX (50 - 100)°C

PART NO : IH042DSS*

LATEST ISSUE DOC. NO.:DP-5.8/MT-632

DATE:JUN 2025

REVISION :03

SCALE : N.T.S

SHEET: 1 OF 2

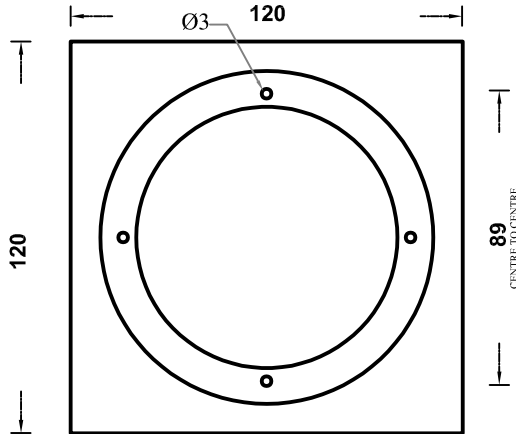
APPD. BY : D.B

INTRODUCTION :-

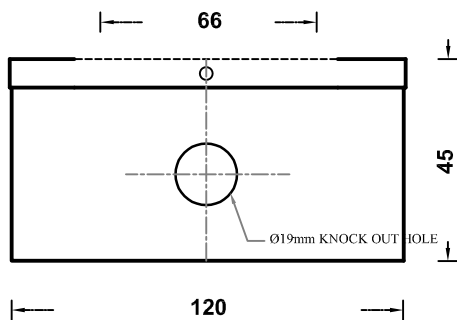
PROBE TYPE FIXED TEMPERATURE HEAT DETECTOR SUITABLE FOR HORIZONTAL MOUNTING. IT IS USED IN SPECIAL APPLICATIONS. JUNCTION BOX IS PROVIDED WITH DETECTOR SUITABLE FOR SPECIAL REQUIREMENT. THIS IS AUTO RESETTABLE BIMETAL TYPE HEAT DETECTOR.

NOTE A:- THIS DATASHEET CAN BE ALSO REFERRED AS DOC. NO.:DP-5.8/CP-632

JUNCTION BOX TO MOUNT HEAT DETECTOR

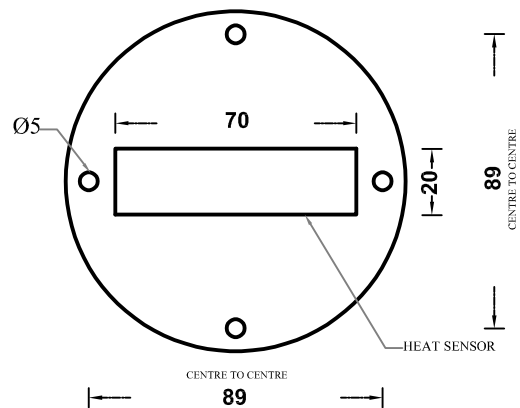


TOP VIEW

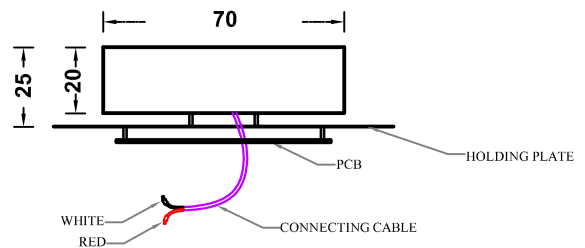


FRONT VIEW

AUTO RESETTABLE BIMETAL TYPE HEAT DETECTOR



TOP VIEW



FRONT VIEW

S.NO	PART NO**	DESCRIPTION
01.	IH042DSS-50-NO	50°C, NORMALLY OPEN
02.	IH042DSS-60-NO	60°C, NORMALLY OPEN
03.	IH042DSS-70-NO	70°C, NORMALLY OPEN
04.	IH042DSS-80-NO	80°C, NORMALLY OPEN
05.	IH042DSS-90-NO	90°C, NORMALLY OPEN
06.	IH042DSS-100-NO	100°C, NORMALLY OPEN

FUNCTIONING OF HEAT DETECTOR:

- HEAT DETECTOR IS NORMALLY IN **NO** CONDITION WHEN SET TEMPERATURE IS REACHED **NO** BECOMES **NC**.
- DETECTOR IS PROVIDED WITH RED & WHITE COLOUR HIGH TEMPERATURE CONNECTING WIRE. THIS WILL PROVIDE POTENTIAL FREE CONTACTS.

NOTE B:

1. ALL DIMENSIONS ARE IN "mm" UNLESS OTHERWISE SPECIFIED.
2. TOLERANCE ON DIMENSION ± 3 mm, UNLESS OTHERWISE SPECIFIED.

IMPORTANT:

AGNI CONTROLS RESERVES THE RIGHT TO CHANGE OR MODIFY WITHOUT PREVIOUS NOTICE ANY DATA OR SPECIFICATION DUE TO CHANGES OR MODIFICATION IN ORDER TO IMPROVE THE PRODUCTS / SYSTEM PRESENTED.

AGNI CONTROLS
CHENNAI

NO.1, 6TH STREET, Dr.SUBBARAYAN NAGAR,
KODAMBAKKAM, CHENNAI-600 024, INDIA.

PHONE : +91 44 2481 2420,

E-MAIL :engineering@agnicontrols.com

ISO 9001 - 2015
CERTIFIED COMPANY

fladet[®] SERIES...

DATA SHEET

PROBE TYPE HORIZONTAL HEAT DETECTOR WITH JUNCTION BOX (50 - 100)°C

PART NO : IH042DSS*

LATEST ISSUE DOC. NO.:DP-5.8/MT-632

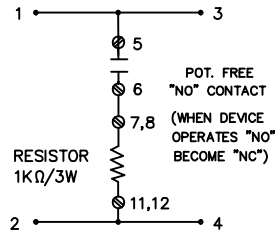
DATE:JUN 2025

REVISION :03

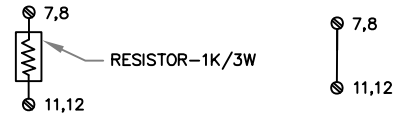
SCALE : N.T.S

SHEET: 2 OF 2

APPD. BY : D.B



EQUIVALENT CIRCUIT
2 WIRE CONVENTIONAL SYSTEM
FIG. 1



RESISTOR LINK

FIG. 2

SHORT LINK

FIG. 3

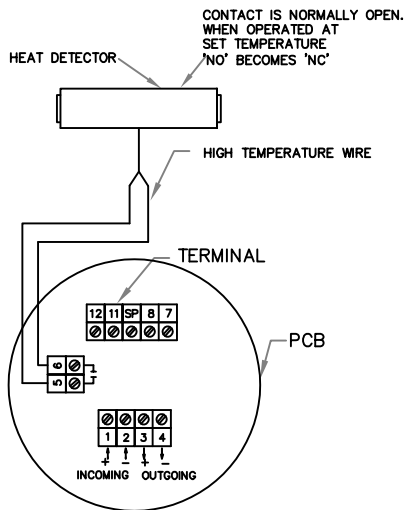
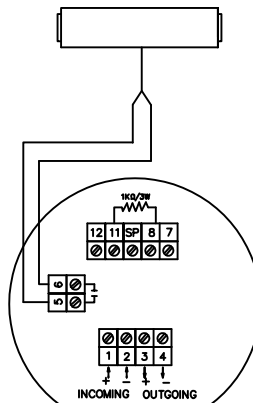
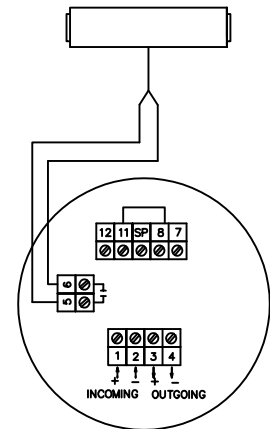


FIG. 4



WIRING WITH RESISTOR
FIG. 5



WIRING WITHOUT RESISTOR
FIG. 6

NOTE C:

1. HEAT DETECTOR IS CONNECTED WITH SHORT LINK.
2. ONE SHORT LINK AND ONE RESISTOR LINK ARE PROVIDED AS SPARE / ACCESSORIES.
3. USE ANY ONE LINK AS PER REQUIREMENT.

TECHNICAL SPECIFICATION

HEAT DETECTOR PART NO: IH042DSS (50 -100)°C-P1		JUNCTION BOX PART NO: IH042DSS (50 -100)°C-P2	
01.	MAKE	AGNI CONTROLS - CHENNAI	01. MAKE
02.	TEMPERATURE SETTING	50°/60°/70°/80°/90°/100°C (FIXED TEMPERATURE ANY ONE SETTING ONLY)	02. a) MATERIAL OF CONSTRUCTION - JUNCTION BOX
03.	TYPE OF SENSING ELEMENT	BI-METAL FIXED TEMPERATURE	b) PAINT SHADE
04.	SETTING TEMPERATURE TOLERANCE	± 7.5%	03. CABLE ENTRY SIZE
05.	TYPE OF DETECTOR OUTER TUBE	SS316	04. NO. OF CABLE ENTRY
06.	CURRENT RATING	24V DC - 1A	05. APPLICATION
			CR SHEET METAL BODY
			L - GRAY
			Ø19mm KNOCKOUT HOLES
			4 Nos.
			INDOOR APPLICATION ONLY.

IMPORTANT:

AGNI CONTROLS RESERVES THE RIGHT TO CHANGE OR MODIFY WITHOUT PREVIOUS NOTICE ANY DATA OR SPECIFICATION DUE TO CHANGES OR MODIFICATION IN ORDER TO IMPROVE THE PRODUCTS / SYSTEM PRESENTED.



**AGNI CONTROLS
CHENNAI**

NO.1, 6TH STREET, Dr.SUBBARAYAN NAGAR,
KODAMBAKKAM, CHENNAI-600 024, INDIA.

PHONE : +91 44 2481 2420,

E-MAIL : engineering@agnicontrols.com

ISO 9001 - 2015
CERTIFIED COMPANY