

fladet[®] SERIES...

DATA SHEET

**PROBE TYPE HEAT DETECTOR
WITH FLAME PROOF JUNCTION BOX (50 - 80)°C**

**PART NO: IH042-
VL-*(50-80)°C-JE**

DOC.NO: DP-5.8/MT-575

DATE: JUNE.2024

REVISION : 04

SCALE : N.T.S

SHEET: 1 OF 2

APPD.BY. DB

INTRODUCTION :-

FIXED TEMPERATURE PROBE TYPE HEAT DETECTOR IS USED IN SPECIAL APPLICATIONS WHERE ELECTRONIC TYPE DETECTORS ARE NOT SUITABLE. IH042E SERIES MODEL IS SUITABLE FOR FLAME PROOF ENVIRONMENT AS PER TECHNICAL SPECIFICATIONS.

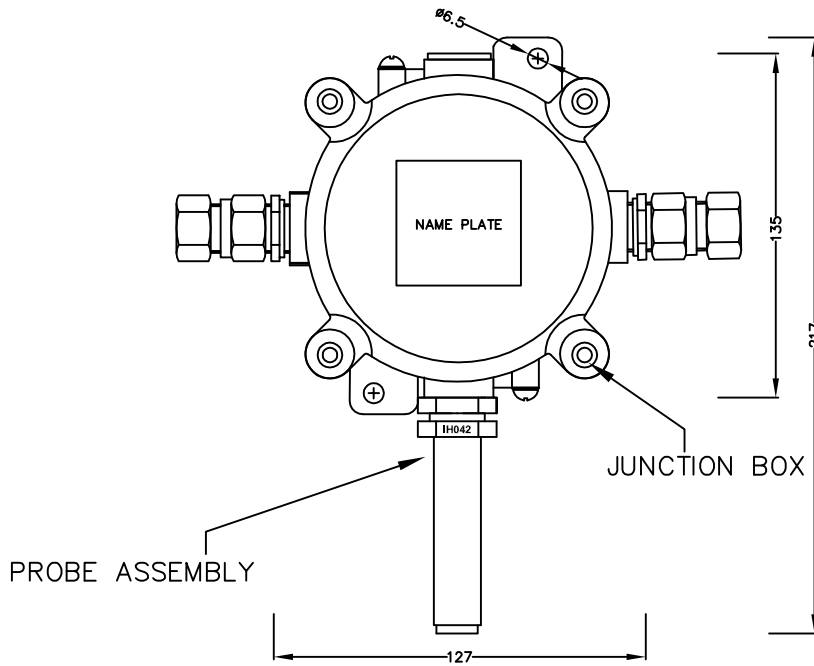
NOTE A:- THIS DATASHEET CAN BE ALSO REFERRED AS DOC. NO.: DP-5.8/CP-575

REVISION CHANGE DETAILS:

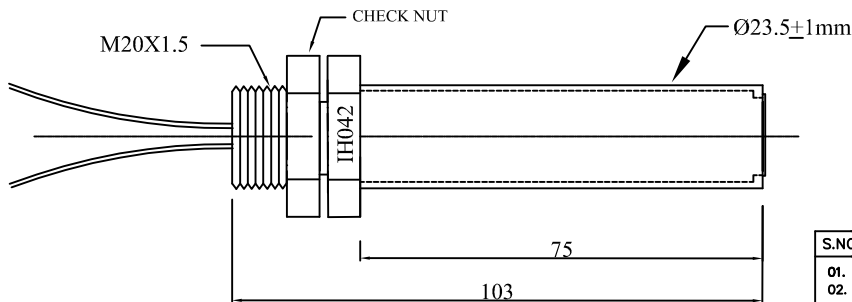
REV-02: PESO CERTIFICATE NUMBER UPDATED

REV-03: SPECIFICATION IS UPDATED

REV-04: TEMPERATURE RANGES UPDATED



PROBE ASSEMBLY



S.NO	PART NO**	DESCRIPTION
01.	IH042-VL-50-JE-NO	50°C, NORMALLY OPEN
02.	IH042-VL-60-JE-NO	60°C, NORMALLY OPEN
03.	IH042-VL-65-JE-NO	65°C, NORMALLY OPEN
04.	IH042-VL-70-JE-NO	70°C, NORMALLY OPEN
05.	IH042-VL-75-JE-NO	75°C, NORMALLY OPEN
06.	IH042-VL-80-JE-NO	80°C, NORMALLY OPEN

NOTE B:

1. ALL DIMENSIONS ARE IN "mm" UNLESS OTHERWISE SPECIFIED.
2. TOLERANCE ON DIMENSION ± 3 mm, UNLESS OTHERWISE SPECIFIED.
3. FOR IP & Exd ENVIRONMENT, USE SUITABLE CABLE GLAND AS PER RISK AREA.
4. * : TEMPERATURE SET POINT TO BE CONFIRMED DURING ORDER PLACEMENT

IMPORTANT:

AGNI CONTROLS RESERVES THE RIGHT TO CHANGE OR MODIFY WITHOUT PREVIOUS NOTICE ANY DATA OR SPECIFICATION DUE TO CHANGES OR MODIFICATION IN ORDER TO IMPROVE THE PRODUCTS / SYSTEM PRESENTED.

AGNI CONTROLS

**ISO 9001 - 2015
CERTIFIED COMPANY**

NO.1, 6TH STREET, Dr.SUBBARAYAN NAGAR,
KODAMBAKKAM, CHENNAI-600 024, INDIA.

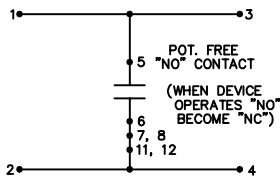
PHONE : +91 44 2481 2420,

E-MAIL : engineering@agnicontrols.com WEBSITE : www.balafire.com

fladet[®] SERIES...

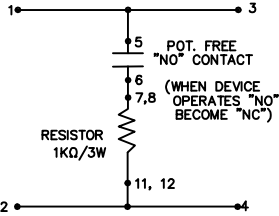
DATA SHEET	PROBE TYPE HEAT DETECTOR WITH FLAME PROOF JUNCTION BOX (50-80)°C	PART NO: IH042- VL-*(50-80)°C-JE
-------------------	---	---

DOC.NO: DP-5.8/MT-575	DATE: JUNE.2024	REVISION : 04	SCALE : N.T.S	SHEET: 2 OF 2	APPD.BY. DB
-----------------------	-----------------	---------------	---------------	---------------	-------------



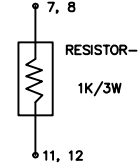
EQUIVALENT CIRCUIT

FIG. 1



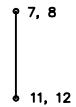
**EQUIVALENT CIRCUIT FOR
2 WIRE CONVENTIONAL SYSTEM**

FIG. 2



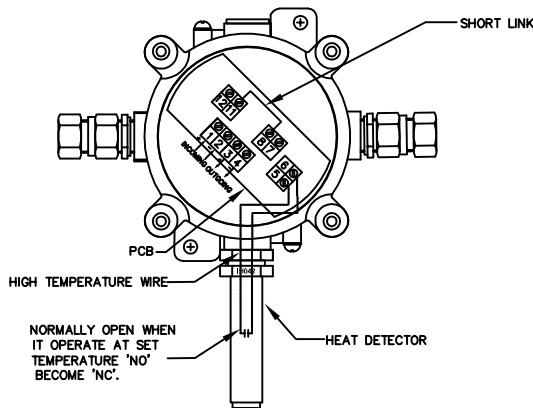
RESISTOR LINK

FIG. 3



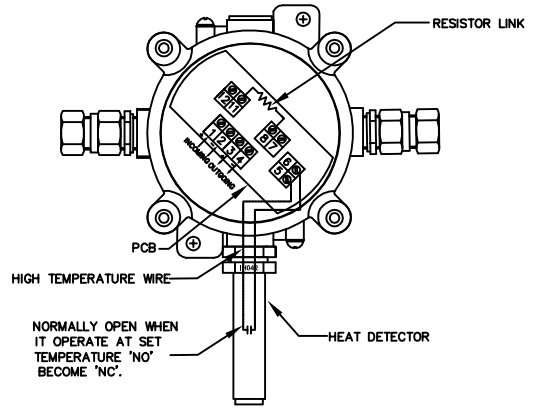
SHORT LINK

FIG. 4



WIRING WITHOUT RESISTOR

FIG. 5



WIRING WITH RESISTOR

FIG. 6

NOTE C:

- HEAT DETECTOR IS CONNECTED WITH **SHORT LINK** AS DEFAULT CONNECTION. (REF. FIG-5)
- 1No. **SHORT LINK** & 1No. **RESISTOR LINK** ARE PROVIDED AS SPARES.
- TO CONNECT HEAT DETECTOR WITH CONVENTIONAL FIRE ALARM PANEL USE **RESISTOR LINK** (REF. FIG-2, FIG-3 & FIG-6).
- TO CONNECT HEAT DETECTOR WITH ADDRESSABLE FIRE ALARM CONTROL PANEL/PLC/ANNUNCIATOR USE **SHORT LINK** (REF. FIG-1, FIG-4, FIG-5).
- **IMPORTANT NOTE: USE ANYONE LINK AS PER REQUIREMENT. HEAT DETECTOR WILL NOT WORK WITHOUT SUITABLE LINK CONNECTION.**

TECHNICAL SPECIFICATION

HEAT DETECTOR PART NO: IH042-VL-*(50-80)°C-JE-P1		JUNCTION BOX PART NO: IH042-VL-*(50-80)°C-JE-P2	
01. MAKE	AGNI CONTROLS	01. ENCLOSURE MAKE	BALIGA
02. TEMPERATURE SETTING	50°/60°/65°/70°/75°/80°C (FIXED TEMPERATURE ANY ONE SETTING ONLY)	02. ENCLOSURE MODEL NO	FPJ - 404
03. TYPE OF SENSING ELEMENT	BI-METAL FIXED TEMPERATURE AUTO RESET TYPE	03. AREA CLASSIFICATION	ZONE 1 & 2
04. TOLERANCE	± 5%	04. HAZARDOUS AREA PROTECTION DETAILS	Ex db IIB T6 Gb Ex tb IIIC T85°C Db IP65
05. CURRENT RATING	230V AC - 2A, 110V AC - 5A, 125V DC - 0.5A, 48V DC - 1A, 24V DC - 2A	05. CERTIFICATION FOR ENCLOSURE	PESO / CIMFR
06. PROBE BODY	ALUMINIUM	06. CABLE ENTRY	2 Nos. of M20X1.5

IMPORTANT:

AGNI CONTROLS RESERVES THE RIGHT TO CHANGE OR MODIFY WITHOUT PREVIOUS NOTICE ANY DATA OR SPECIFICATION DUE TO CHANGES OR MODIFICATION IN ORDER TO IMPROVE THE PRODUCTS / SYSTEM PRESENTED.



NO.1, 6TH STREET, Dr.SUBBARAYAN NAGAR,
KODAMBAKKAM, CHENNAI-600 024, INDIA.

PHONE : +91 44 2481 2420,

E-MAIL : engineering@agnicontrols.com WEBSITE : www.balafire.com

**ISO 9001 - 2015
CERTIFIED COMPANY**