

**MANUAL CALL POINT
FOR INDOOR & OUTDOOR APPLICATION**

OLD DWG. NO: DP-5.8/08-102

DATE: JUNE 2013

REVISION : 00

SCALE : N.T.S

SHEET: 1 OF 1

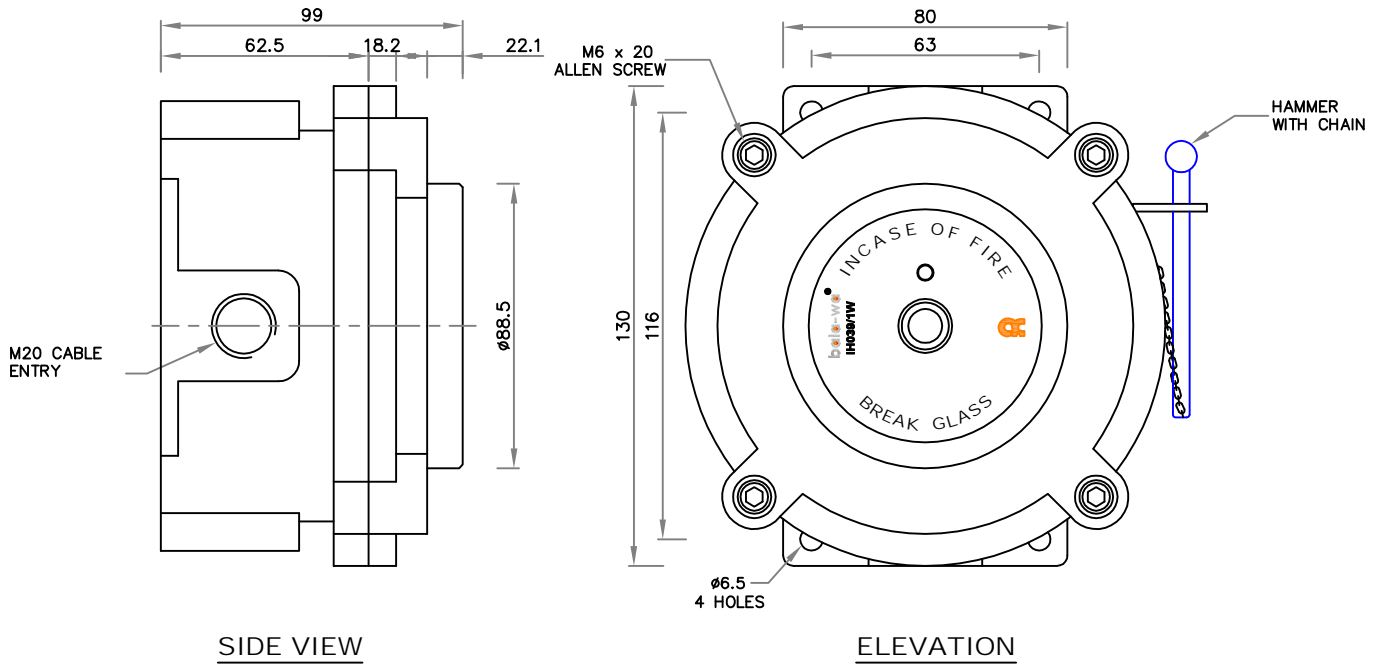
APPD. BY : DBS

NEW DWG. NO: DP-5.8/MT-086

DATE: OCT. 2019

INTRODUCTION :-

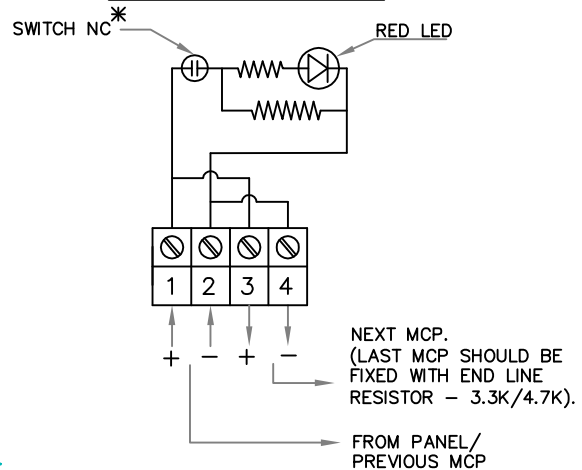
MANUAL CALL POINT IS USED TO ACTIVATE FIRE ALARM WARNING. MCP IS TO BE USED WITH SUITABLE CONTROL PANEL. WHEN GLASS OF MCP IS BROKEN, PUSH SWITCH IS RELEASED TO CAUSE NO AND NC STATUS CHANGE.



- * 1. SWITCH IS KEPT IN PRESSED CONDITION BY FRONT GLASS. IT IS 'NO' AT THIS CONDITION.
2. IN CASE OF BREAKING GLASS, SWITCH WILL BE RELEASED, CONTACT WILL BE CLOSED, THUS OPERATED LED ON & ALARM THROUGH CONNECTED PANEL.

- NOTE:**
- TOLERANCE ON DIMENSION ± 3 MM, UNLESS OTHERWISE SPECIFIED.
 - ALL DIMENSIONS ARE IN "mm" UNLESS OTHERWISE SPECIFIED.
 - GLAND & DUMMY SEALING IS REQUIRED FOR IP PROTECTION. CABLE ENTRY SHALL BE PROPERLY SEALED USING SUITABLE SEALANTS.

INTERNAL WIRING



TECHNICAL SPECIFICATION

01. MANUFACTURER	AGNI CONTROLS - CHENNAI	05. CONTACT ELEMENT	1 'NO' + 1 'NC'
02. MATERIAL	CAST ALUMINIUM LM6	06. FASTENERS	SS 304
03. FINISH	POWDER COAT- RED TEXTURED	07. CURRENT CONSUMPTION	UPTO 50MA
04. CABLE ENTRY	M20 - 3 Nos.		

IMPORTANT:

AGNI CONTROLS RESERVES THE RIGHT TO CHANGE OR MODIFY WITHOUT PREVIOUS NOTICE ANY DATA OR SPECIFICATION DUE TO CHANGES OR MODIFICATION IN ORDER TO IMPROVE THE PRODUCTS / SYSTEM PRESENTED.



**AGNI CONTROLS
CHENNAI**

NO.1, 6TH STREET, Dr.SUBBARAYAN NAGAR,
KODAMBAKKAM, CHENNAI-600 024, INDIA.

PHONE : +91 44 2481 2420,

E-MAIL : engineering@agnicontrols.com WEBSITE : www.balafire.com

ISO 9001 - 2015
BUREAU VERITAS
CERTIFICATION