

DATA SHEET

MANUAL GAS DISCHARGE STATION WITH INBUILT ADDRESSABLE MODULE FOR OUTDOOR APPLICATION

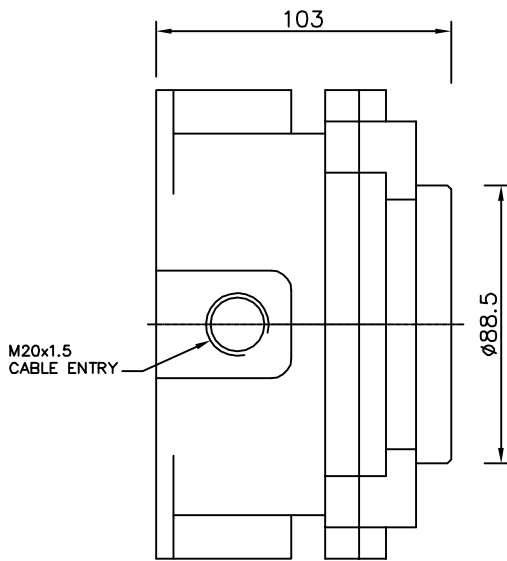
PART NO : IH029/1
AD/N

OLD DWG. NO:DP-5.8/08-152	DATE : NOV 2010	REVISION :00	SCALE :N.T.S	SHEET :1 OF 1	APPD. BY : DBS
NEW DWG. NO:DP-5.8/MT-095	DATE : JUNE 2020	REVISION :01			

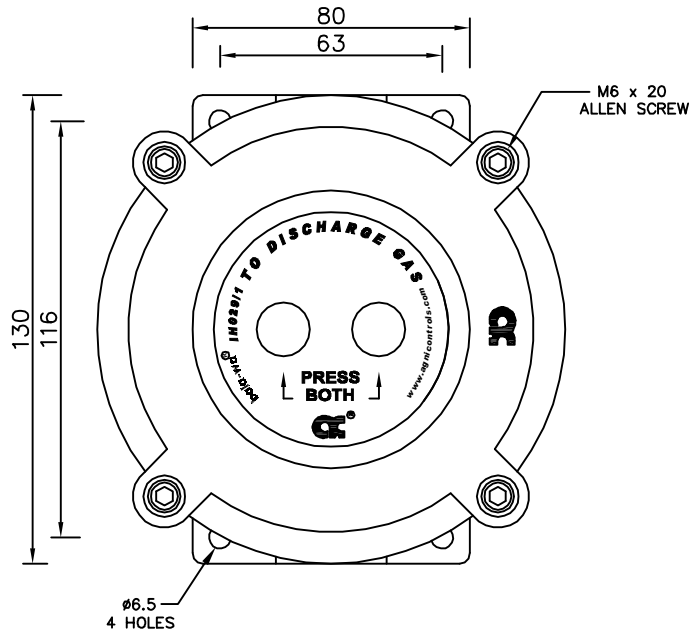
INTRODUCTION :-

MANUAL GAS DISCHARGE STATION IS USED IN GAS BASED FIRE EXTINGUISHING SYSTEM FOR OUTDOOR APPLICATION. BY OPERATING DISCHARGE STATION, EXTINGUISHING GAS CAN BE DISCHARGED MANUALLY. THIS UNIT IS FIXED WITH ADDRESSABLE MODULE. THIS UNIT IS TO BE USED WITH BIH046/ADD/N SERIES... OR ADDRESSABLE NOTIFIER MAKE PANEL TO PROVIDE REQUIRED SIGNAL IN THE PANEL. TURN THE COVER TO OPERATE THE PUSH BUTTON.

REV.01: DIMENSION AND SPECIFICATION UPDATED.

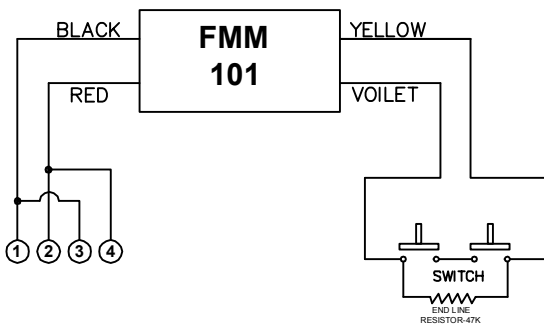


SIDE VIEW

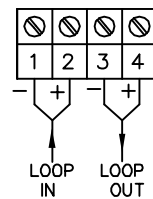


ELEVATION

EQUIVALENT CIRCUIT



TERMINAL DETAIL



NOTE:

1. ALL DIMENSIONS ARE IN "mm" UNLESS OTHERWISE SPECIFIED.
2. TOLERANCE ON DIMENSION ± 3 MM, UNLESS OTHERWISE SPECIFIED.
3. FOR IP PROTECTION USE SUITABLE WEATHER PROOF CABLE GLANDS AND PROPER CABLE SEALING.

TECHNICAL SPECIFICATION

01. MANUFACTURER	AGNI CONTROLS – CHENNAI	07. PROTECTION CLASS	IP65
02. MATERIAL	CAST ALUMINIUM LM6	08. TYPE OF MOUNTING	WALL MOUNTING
03. PAINTING PROCESS	POWDER COATING	09. OUTPUT	WHEN PUSH BUTTON OPERATED POTENTIAL FREE CONTACT CHANGES FROM 'NO' TO 'NC'.
04. COLOUR	PO RED		
05. FASTENERS	SS 304		
06. CABLE ENTRY	M20 – 3 Nos.		

IMPORTANT:

AGNI CONTROLS RESERVES THE RIGHT TO CHANGE OR MODIFY WITHOUT PREVIOUS NOTICE ANY DATA OR SPECIFICATION DUE TO CHANGES OR MODIFICATION IN ORDER TO IMPROVE THE PRODUCTS / SYSTEM PRESENTED.



NO.1, 6TH STREET, Dr.SUBBARAYAN NAGAR,
KODAMBAKKAM, CHENNAI-600 024, INDIA.
PHONE : +91 44 2382 0774,
E-MAIL : engineering@agnicontrols.com

**ISO 9001 - 2015
CERTIFIED
ORGANISATION**

WEBSITE : www.balafire.com