

DATA SHEET

MANUAL GAS DISCHARGE STATION FOR OUTDOOR APPLICATION

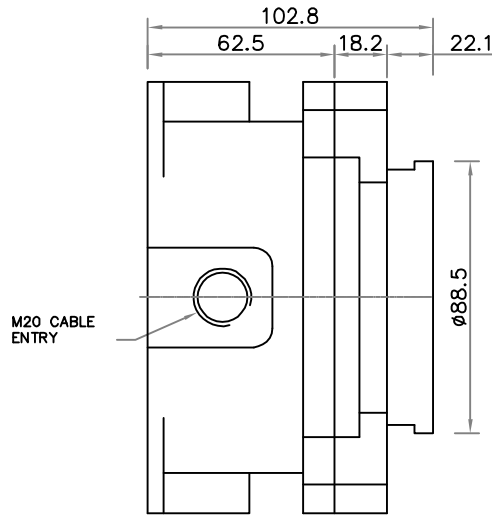
PART NO : IH029/1

OLD DWG. NO: DP-5.8/08-056	DATE : JUNE. 2013	REV.: 02	SCALE : N.T.S	SHEET : 1 OF 1	APPD. BY : DBS
NEW DOC. NO: DP-5.8/MT-092	DATE : AUG 2019				

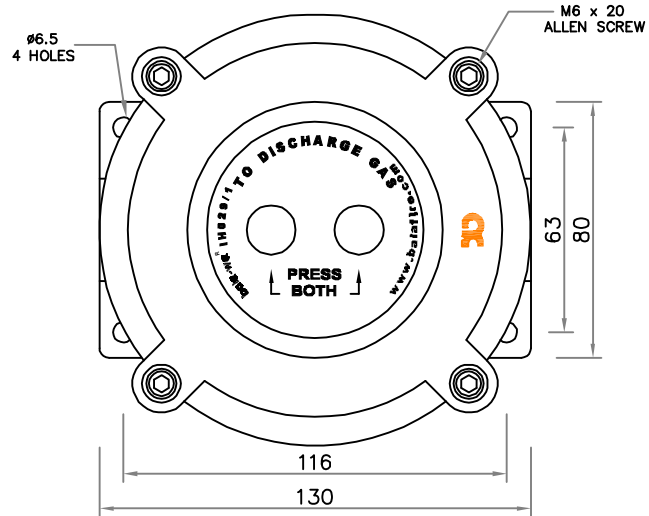
INTRODUCTION :-

MANUAL GAS DISCHARGE STATION IS USED IN GAS BASED FIRE EXTINGUISHING SYSTEM FOR OUTDOOR APPLICATION. BY OPERATING DISCHARGE STATION, EXTINGUISHING GAS CAN BE DISCHARGED MANUALLY.

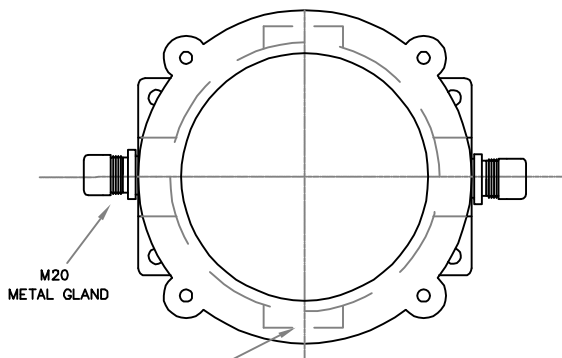
NOTE:- REV.: 00 - INITIAL COPY
REV.: 01 - UPDATED TECHNICAL PARAMETERS
REV.: 02 - UPDATED DIMENSIONS



SIDE VIEW

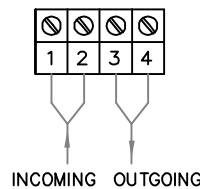


ELEVATION

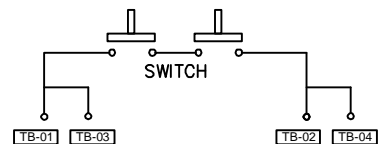


FRONT VIEW

TERMINAL DETAIL



EQUIVALENT CIRCUIT



NOTE:

1. ALL DIMENSIONS ARE IN "mm" UNLESS OTHERWISE SPECIFIED.
2. TOLERANCE ON DIMENSION ± 3 MM, UNLESS OTHERWISE SPECIFIED.

TECHNICAL SPECIFICATION

01.	MANUFACTURER	AGNI CONTROLS - CHENNAI	07.	PROTECTION CLASS	IP65
02.	MATERIAL	CAST ALUMINIUM LM6	08.	TYPE OF MOUNTING	WALL MOUNTING
03.	PAINTING PROCESS	POWDER COATING	09.	OUTPUT	WHEN PUSH BUTTON OPERATED POTENTIAL FREE CONTACT CHANGES FROM 'NO' TO 'NC'.
04.	COLOUR	SIGNAL RED - TEXTURED			
05.	FASTENERS	SS 304			
06.	CABLE ENTRY	M20x1.5 - 3 Nos.			

IMPORTANT:

AGNI CONTROLS RESERVES THE RIGHT TO CHANGE OR MODIFY WITHOUT PREVIOUS NOTICE ANY DATA OR SPECIFICATION DUE TO CHANGES OR MODIFICATION IN ORDER TO IMPROVE THE PRODUCTS / SYSTEM PRESENTED.



NO.1, 6TH STREET, Dr.SUBBARAYAN NAGAR,
KODAMBAKKAM, CHENNAI-600 024, INDIA.
PHONE : +91 44 2481 2420, FAX : +91 44 2481 2475,
E-MAIL : engineering@agnicontrols.com WEBSITE : www.balafire.com

**ISO 9001 - 2015
BUREAU VERITAS
CERTIFICATION**