

DATA SHEET

CO2 INHIBIT SWITCH FOR OUTDOOR APPLICATION

PART NO : IH028/1

OLD DWG. NO:DP-5.8/10-227
NEW DOC. NO:DP-5.8/MT-098

DATE :NOV 2011
DATE :DEC 2021

REV.: 04

SCALE : N.T.S

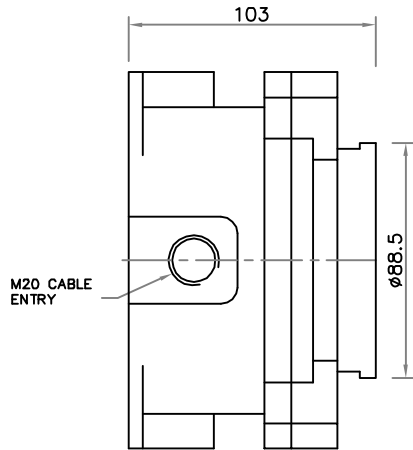
SHEET : 1 OF 1

APPD. BY : DBS

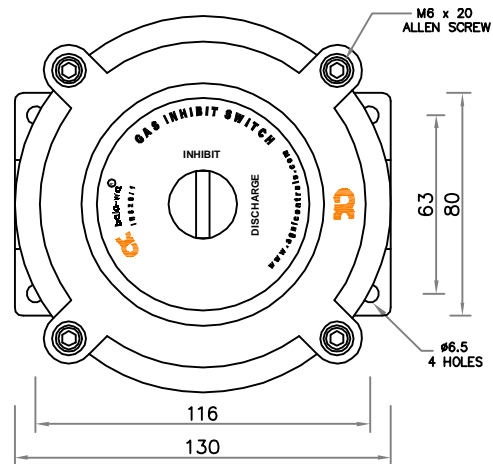
INTRODUCTION :-

CO2 INHIBIT SWITCH SUITABLE FOR OUTDOOR APPLICATION IS USED IN GAS BASED FIRE EXTINGUISHING SYSTEM TO INHIBIT / PREVENT GAS RELEASE BY OPERATING SELECTOR SWITCH.THE SELECTOR SWITCH MOUNTED IN THE JUNCTION BOX WILL HAVE 'NC' CONTACT.THE BOX WILL BE COVERED WITH FRONT COVER WHICH WILL BE SEALED BY MEANS OF REMOVABLE TOP COVER.

REV.: 03 - UPDATED DIMENSIONS
REV.: 04 - UPDATED TECHNICAL PARAMETERS

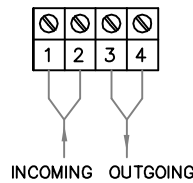


SIDE VIEW

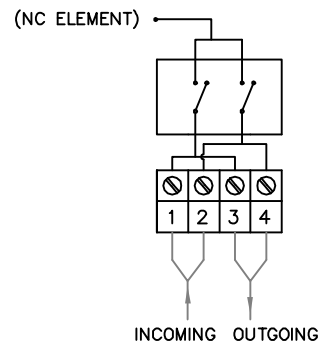


ELEVATION

TERMINAL DETAIL



EQUIVALENT CIRCUIT



IMPORTANT INFORMATION:

- *OPERATE INHIBIT SWITCH ONLY DURING MAINTENANCE OF FIRE FIGHTING SYSTEM.
- *KEEPING INHIBIT SYSTEM IN INHIBIT MODE WILL PREVENT FIRE FIGHTING SYSTEM FROM OPERATING DURING EMERGENCY.
- *TO OPERATE,OPEN THE TOP GLASS COVER AND TURN THE SELECTOR SWITCH TO THE DESIRED POSITION.

NOTE:

1. ALL DIMENSIONS ARE IN "mm" UNLESS OTHERWISE SPECIFIED.
2. TOLERANCE ON DIMENSION ± 5 MM, UNLESS OTHERWISE SPECIFIED.

TECHNICAL SPECIFICATION

01.	MANUFACTURER	AGNI CONTROLS - CHENNAI	06.	PROTECTION CLASS	IP65
02.	MATERIAL	CAST ALUMINIUM LM6	07.	TYPE OF MOUNTING	WALL MOUNTING
03.	PAINTING PROCESS	POWDER COATING	08.	OUTPUT	WHEN SELECTOR SWITCH IS KEPT IN DISCHARGE MODE,CONTACTS ARE 'NC' AND WHEN CHANGED TO INHIBIT MODE,CONTACTS ARE CHANGED TO 'NO'
04.	COLOUR	YELLOW			
05.	FASTENERS	SS 304			
06.	CABLE ENTRY	M20 - 2 Nos.			

IMPORTANT:

AGNI CONTROLS RESERVES THE RIGHT TO CHANGE OR MODIFY WITHOUT PREVIOUS NOTICE ANY DATA OR SPECIFICATION DUE TO CHANGES OR MODIFICATION IN ORDER TO IMPROVE THE PRODUCTS / SYSTEM PRESENTED.



NO.1, 6TH STREET, Dr.SUBBARAYAN NAGAR,
KODAMBAKKAM, CHENNAI-600 024, INDIA.
PHONE : +91 44 2481 2420, FAX : +91 44 2481 2475,
E-MAIL : engineering@agnicontrols.com WEBSITE : www.balafire.com

ISO 9001 - 2015
BUREAU VERITAS
CERTIFICATION