

DATA SHEET

**CO2 INHIBIT SWITCH FOR OUTDOOR APPLICATION WITH
INBUILT ADDRESSABLE MONITOR MODULE**

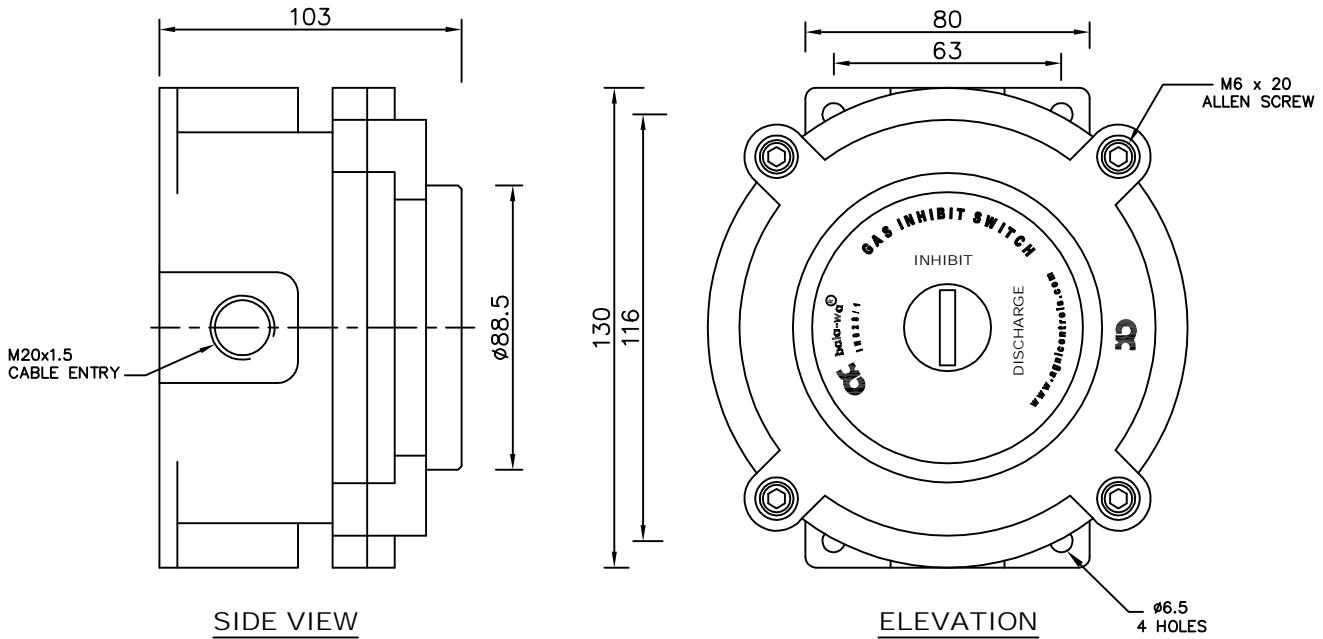
PART NO : IH028/1
AD/N

OLD DWG. NO:DP-5.8/10-354	DATE : NOV 2011	REVISION : 01	SCALE : N.T.S	SHEET : 1 OF 1	APPD. BY : DBS
NEW DWG. NO:DP-5.8/MT-100	DATE : JUNE 2020	REVISION : 02			

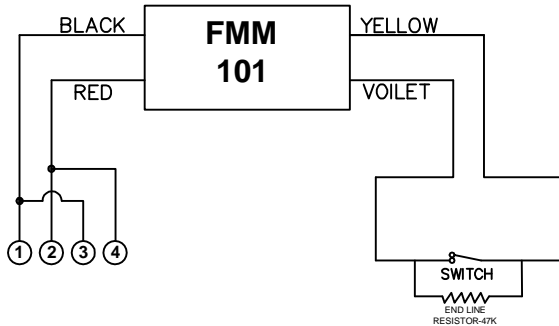
INTRODUCTION :-

CO2 INHIBIT SWITCH IS USED IN GAS BASED FIRE EXTINGUISHING SYSTEM FOR OUTDOOR APPLICATION BY OPERATING SELECTOR SWITCH. THE INHIBIT SWITCH HAVE ONE PAIR OF 'NO' & 'NC' CONTACT. THE SELECTOR SWITCH SHOULD BE IN THE DISCHARGE MODE FOR NORMAL CONDITIONS AND SHOULD BE CHANGED TO INHIBIT MODE TO STOP THE DISCHARGE SIGNAL TO THE CYLINDER SOLENOID VALVES. TURN THE COVER TO OPERATE THE SELECTOR SWITCH.

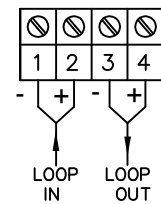
REV.01: CORRECTION OF 'ON' & 'OFF' POSITION.
REV.02: DIMENSION AND SPECIFICATION UPDATED.



EQUIVALENT CIRCUIT



TERMINAL DETAIL



NOTE:

1. ALL DIMENSIONS ARE IN "mm" UNLESS OTHERWISE SPECIFIED.
2. TOLERANCE ON DIMENSION ± 3 MM, UNLESS OTHERWISE SPECIFIED.
3. FOR IP PROTECTION USE SUITABLE WEATHER PROOF CABLE GLANDS AND PROPER CABLE SEALING.

TECHNICAL SPECIFICATION

01. MANUFACTURER	AGNI CONTROLS – CHENNAI	07. PROTECTION CLASS	IP65
02. MATERIAL	CAST ALUMINIUM LM6	08. TYPE OF MOUNTING	WALL MOUNTING
03. PAINTING PROCESS	POWDER COATING	09. OUTPUT	WHEN SELECTOR SWITCH OPERATED POTENTIAL FREE CONTACT CHANGES FROM 'NO' TO 'NC'.
04. COLOUR	PO RED		
05. FASTENERS	SS 304		
06. CABLE ENTRY	M20 – 3 Nos.		

IMPORTANT:

AGNI CONTROLS RESERVES THE RIGHT TO CHANGE OR MODIFY WITHOUT PREVIOUS NOTICE ANY DATA OR SPECIFICATION DUE TO CHANGES OR MODIFICATION IN ORDER TO IMPROVE THE PRODUCTS / SYSTEM PRESENTED.

AGNI CONTROLS
CHENNAI
NO.1, 6TH STREET, Dr.SUBBARAYAN NAGAR,
KODAMBAKKAM, CHENNAI-600 024, INDIA.
PHONE : +91 44 2382 0774,
E-MAIL : engineering@agnicontrols.com

ISO 9001 - 2015
CERTIFIED
ORGANISATION

WEBSITE : www.balafire.com