

DATA SHEET

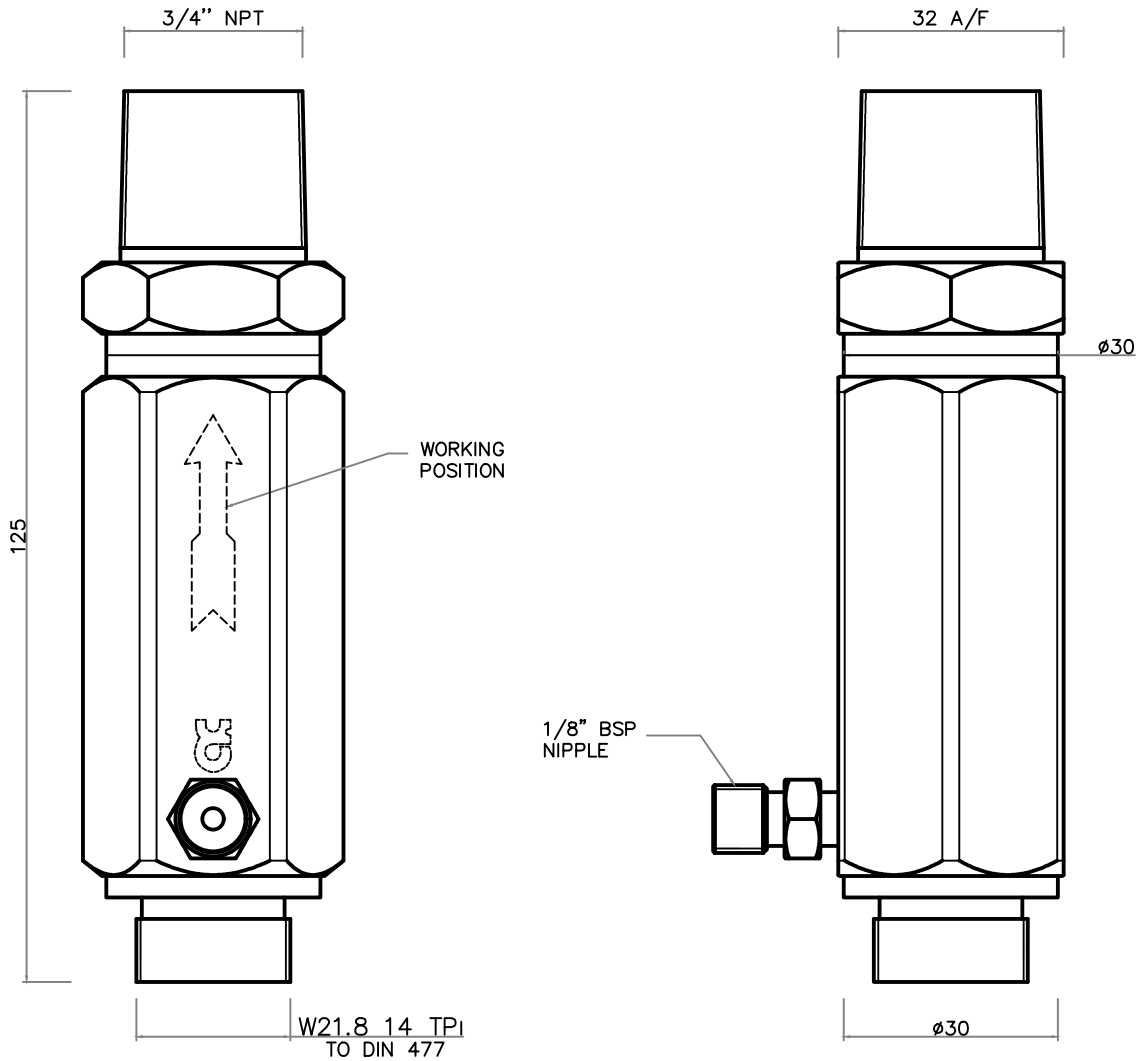
MASTER NON RETURN VALVE

PART NO :
IH018-R

NEW DOC. NO:DP-5.8/MT-466 DATE: APR 2021 REVISION : 03 SCALE : N.T.S SHEET : 1 OF 1 APPD. BY :DBS

INTRODUCTION :-

MASTER NON RETURN VALVE SUITABLE FOR CONNECTING BETWEEN CYLINDER DISCHARGE HOSE AND HEADER IN GAS BASED FIXED FIRE EXTINGUISHING SYSTEM TO PREVENT BACKFLOW OF GAS.



NOTE :

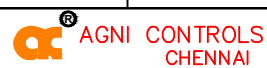
1. ALL DIMENSIONS ARE IN "mm" UNLESS OTHERWISE SPECIFIED.
2. TOLERANCE ON DIMENSION ± 3 mm, UNLESS OTHERWISE SPECIFIED.

TECHNICAL SPECIFICATION

01. MANUFACTURER	bala-wa AGNI CONTROLS	06. WORKING PRESSURE	60 BAR.
02. MATERIAL (BODY)	BRASS		
03. MATERIAL (INTERNAL PARTS)	BRASS & SPRING STEEL		
04. FINISH	NATURAL FINISH		
05. TEST PRESSURE	100 BAR HYDRAULIC		

IMPORTANT:

AGNI CONTROLS RESERVES THE RIGHT TO CHANGE OR MODIFY WITHOUT PREVIOUS NOTICE ANY DATA OR SPECIFICATION DUE TO CHANGES OR MODIFICATION IN ORDER TO IMPROVE THE PRODUCTS / SYSTEM PRESENTED.



NO.1, 6TH STREET, Dr.SUBBARAYAN NAGAR,
KODAMBAKKAM, CHENNAI-600 024, INDIA.
PHONE : +91 44 2481 2420,
E-MAIL : engineering@agnicontrols.com WEBSITE : www.balafire.com

**ISO 9001 - 2015
BUREAU VERITAS
CERTIFICATION**