

DATA SHEET

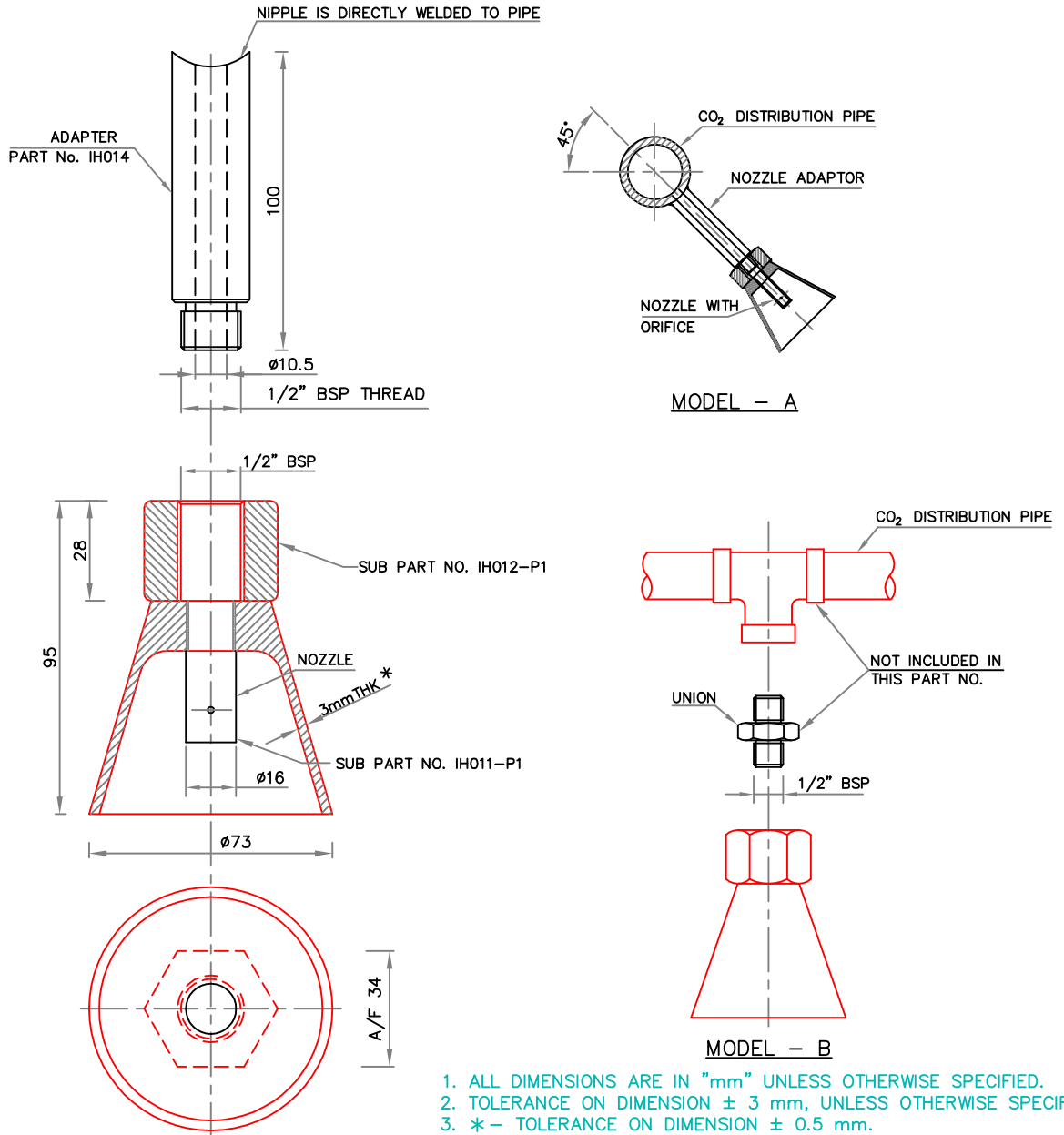
**CO₂ DISCHARGE NOZZLE
CONICAL TYPE - MEDIUM**

PART NO : IH012

LATEST ISSUE DWG.NO.: DP-5.8/MT-005 DATE : SEP. 2020 REVISION : 02 SCALE : N.T.S SHEET : 1 OF 1 APPD. BY : DBS

INTRODUCTION :-

NOZZLE WITH OPEN ORIFICE WITH CONICAL COVER WILL BE FIXED AT APPROPRIATE PLACE IN THE PROTECTED AREA. CO₂ WILL BE DISCHARGE THROUGH THE NOZZLE.



1. ALL DIMENSIONS ARE IN "mm" UNLESS OTHERWISE SPECIFIED.
2. TOLERANCE ON DIMENSION ± 3 mm, UNLESS OTHERWISE SPECIFIED.
3. * - TOLERANCE ON DIMENSION ± 0.5 mm.

TECHNICAL SPECIFICATION

01.	MAKE	AGNI CONTROLS - CHENNAI
02.	NOZZLE HORN	MATERIAL OF CONSTRUCTION - ALUMINIUM (POWDER COATED)
03.	NOZZLE	MATERIAL OF CONSTRUCTION - BRASS (NICKLE PLATED)
04.	ORIFICE	AS PER ORIFICE NO.
05.	PROCESS CONNECTION	1/2" BSP THREAD

IMPORTANT:

AGNI CONTROLS RESERVES THE RIGHT TO CHANGE OR MODIFY WITHOUT PREVIOUS NOTICE ANY DATA OR SPECIFICATION DUE TO CHANGES OR MODIFICATION IN ORDER TO IMPROVE THE PRODUCTS / SYSTEM PRESENTED.



**AGNI CONTROLS
CHENNAI**

NO.1, 6TH STREET, Dr.SUBBARAYAN NAGAR,
KODAMBAKKAM, CHENNAI-600 024, INDIA.

PHONE : +91 44 2481 2420

E-MAIL : engineering@agnicontrols.com WEBSITE : www.balafire.com

ISO 9001 - 2015
CERTIFIED COMPANY