

**DATA SHEET**

**CO2 DISCHARGE NOZZLE-SMALL TYPE**

PART NO :  
IH011 Series

OLD DWG.NO.:DP-5.8/11-469  
NEW DWG.NO.:DP-5.8/MT-249

DATE :MAR. 2022

REVISION : 03

SCALE : N.T.S

SHEET :1 OF 2

APPD. BY : D.B

INTRODUCTION :-

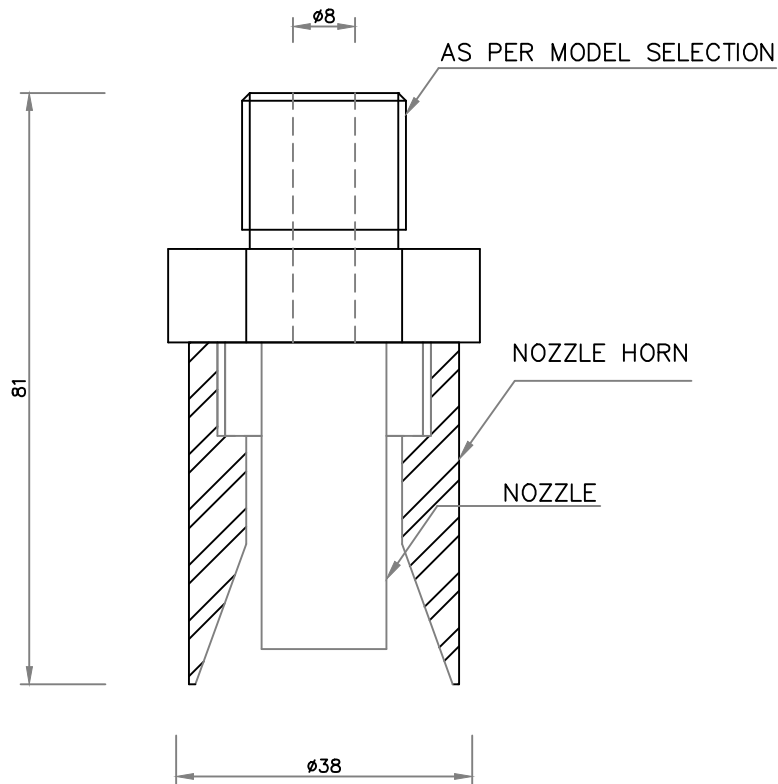
NOZZLE WITH OPEN ORIFICE WITH CONICAL COVER WILL BE FIXED AT APPROPRIATE PLACE IN THE PROTECTED AREA. CO2 WILL BE DISCHARGE THROUGH THE NOZZLE. SUITABLE FOR MACHINERY AND SMALL AREA PROTECTION.

NOTE: THIS DATASHEET ALSO CAN BE REFERRED AS DOC. NO.: DP-5.8/CP-249

REV-01: SERIAL NO. 10 IS ADDED

REV-02: REV-02 IS THE SAME AS REV-01 EXCEPT FOR ADDING ISO 9001:2015.

REV-03: REVISED FOR MT COPY FOR GENERAL PURPOSE USE.



NOTE :

1. TOLERANCE ON DIMENSION  $\pm 2$  mm, UNLESS OTHERWISE SPECIFIED.
2. ALL DIMENSIONS ARE IN "mm" UNLESS OTHERWISE SPECIFIED.

**TECHNICAL SPECIFICATION**

01.	MANUFACTURER	AGNI CONTROLS - CHENNAI
02.	NOZZLE HORN & NOZZLE	AS PER MODEL SELECTION REFER SHEET:2 OF 2
03.	ORIFICE	AS PER REQUIREMENT

IMPORTANT:

AGNI CONTROLS RESERVES THE RIGHT TO CHANGE OR MODIFY WITHOUT PREVIOUS NOTICE ANY DATA OR SPECIFICATION DUE TO CHANGES OR MODIFICATION IN ORDER TO IMPROVE THE PRODUCTS / SYSTEM PRESENTED.



**AGNI CONTROLS**  
**CHENNAI**

NO.1, 6TH STREET, Dr.SUBBARAYAN NAGAR,  
KODAMBAKKAM, CHENNAI-600 024, INDIA.

PHONE : +91 44 2481 2420,

E-MAIL : [engineering@agnicontrols.com](mailto:engineering@agnicontrols.com) WEBSITE : [www.balafire.com](http://www.balafire.com)

**ISO 9001 - 2015**  
**BUREAU VERITAS**  
**CERTIFICATION**

**DATA SHEET**

**CO2 DISCHARGE NOZZLE-SMALL TYPE**

PART NO :  
IH011 Series

OLD DWG.NO.:DP-5.8/11-469  
NEW DWG.NO.:DP-5.8/MT-249

DATE :MAR. 2022

REVISION : 03

SCALE : N.T.S

SHEET : 2 OF 2

APPD. BY : D.B

**MODEL SELECTION:**

SL.NO.	MODEL NO.	DESCRIPTION
1.	IH011-M1/2"-AL	CO2 DISCHARGE NOZZLE SMALL TYPE, 1/2" - MALE THREAD - ALUMINIUM
2.	IH011-M1/2"-SS304	CO2 DISCHARGE NOZZLE SMALL TYPE, 1/2" - MALE THREAD - SS304
3.	IH011-M3/4"-AL	CO2 DISCHARGE NOZZLE SMALL TYPE, 3/4" - MALE THREAD - ALUMINIUM
4.	IH011-M3/4"-SS304	CO2 DISCHARGE NOZZLE SMALL TYPE, 3/4" - MALE THREAD - SS304
5.	IH011-M1"-SS304	CO2 DISCHARGE NOZZLE SMALL TYPE, 1" - MALE THREAD - SS304
6.	IH011-M1"-AL	CO2 DISCHARGE NOZZLE SMALL TYPE, 1" - MALE THREAD - ALUMINIUM
7.	IH011-F3/8"-AL	CO2 DISCHARGE NOZZLE SMALL TYPE, 3/8" - FEMALE THREAD - ALUMINIUM
8.	IH011/1-M1/2"-RN	CO2 DISCHARGE NOZZLE CURVED END TYPE, 1/2" - MALE THREAD - RN
9.	IH011/2-M1/2"-FN	CO2 DISCHARGE NOZZLE FLAT END TYPE, 1/2" - MALE THREAD - FN
10.	IH011/2-M1/2"-B	CO2 DISCHARGE NOZZLE FLAT END TYPE, 1/2" - MALE THREAD - BRASS

**IMPORTANT:**

AGNI CONTROLS RESERVES THE RIGHT TO CHANGE OR MODIFY WITHOUT PREVIOUS NOTICE ANY DATA OR SPECIFICATION DUE TO CHANGES OR MODIFICATION IN ORDER TO IMPROVE THE PRODUCTS / SYSTEM PRESENTED.



**AGNI CONTROLS**  
**CHENNAI**

NO.1, 6TH STREET, Dr.SUBBARAYAN NAGAR,  
KODAMBAKKAM, CHENNAI-600 024, INDIA.

PHONE : +91 44 2481 2420,

E-MAIL : engineering@agnicontrols.com WEBSITE : www.balafire.com

**ISO 9001 - 2015**  
**BUREAU VERITAS**  
**CERTIFICATION**