

DATA SHEET	CO2 DISCHARGE NOZZLE-SMALL TYPE	PART NO : IH011 Series
-------------------	--	---------------------------


OLD DWG.NO.:DP-5.8/11-469 NEW DWG.NO.:DP-5.8/MT-249	DATE : JUN. 2019	REVISION : 02	SCALE : N.T.S	SHEET : 1 OF 5	APPD. BY : <i>[Signature]</i>
--	------------------	---------------	---------------	----------------	-------------------------------

INTRODUCTION :-

NOZZLE WITH OPEN ORIFICE WITH CONICAL COVER WILL BE FIXED AT APPROPRIATE PLACE IN THE PROTECTED AREA. CO2 WILL BE DISCHARGE THROUGH THE NOZZLE. SUITABLE FOR MACHINERY AND SMALL AREA PROTECTION.
 NOTE: THIS DATASHEET ALSO CAN BE REFERRED AS DOC. NO.: DP-5.8/CP-249
 REV-01: SERIAL NO. 10 IS ADDED
 REV-02: REV-02 IS THE SAME AS REV-01 EXCEPT FOR ADDING ISO 9001:2015.

PART NO: IH011 Series

SL.NO.	MODEL NO.	DESCRIPTION
1.	IH011-M1/2"-AL	CO2 DISCHARGE NOZZLE SMALL TYPE, 1/2" - MALE THREAD - ALUMINIUM
2.	IH011-M1/2"-SS304	CO2 DISCHARGE NOZZLE SMALL TYPE, 1/2" - MALE THREAD - SS304
3.	IH011-M3/4"-AL	CO2 DISCHARGE NOZZLE SMALL TYPE, 3/4" - MALE THREAD - ALUMINIUM
4.	IH011-M3/4"-SS304	CO2 DISCHARGE NOZZLE SMALL TYPE, 3/4" - MALE THREAD - SS304
5.	IH011-M1"-SS304	CO2 DISCHARGE NOZZLE SMALL TYPE, 1" - MALE THREAD - SS304
6.	IH011-M1"-AL	CO2 DISCHARGE NOZZLE SMALL TYPE, 1" - MALE THREAD - ALUMINIUM
7.	IH011-F3/8"-AL	CO2 DISCHARGE NOZZLE SMALL TYPE, 3/8" - FEMALE THREAD - ALUMINIUM
8.	IH011/1-M1/2"-RN	CO2 DISCHARGE NOZZLE CURVED END TYPE, 1/2" - MALE THREAD - RN
9.	IH011/2-M1/2"-FN	CO2 DISCHARGE NOZZLE FLAT END TYPE, 1/2" - MALE THREAD - FN
10.	IH011/2-M1/2"-B	CO2 DISCHARGE NOZZLE FLAT END TYPE, 1/2" - MALE THREAD - BRASS

<p>IMPORTANT:</p> <p>AGNI CONTROLS RESERVES THE RIGHT TO CHANGE OR MODIFY WITHOUT PREVIOUS NOTICE ANY DATA OR SPECIFICATION DUE TO CHANGES OR MODIFICATION IN ORDER TO IMPROVE THE PRODUCTS / SYSTEM PRESENTED.</p>	 <p>AGNI CONTROLS CHENNAI</p> <p>NO.1, 6TH STREET, Dr.SUBBARAYAN NAGAR, KODAMBAKKAM, CHENNAI-600 024, INDIA. PHONE : +91 44 2481 2420, E-MAIL : engineering@agnicontrols.com WEBSITE : www.balafire.com</p>	<p>ISO 9001 - 2015 BUREAU VERITAS CERTIFICATION</p>
--	--	---

DATA SHEET

CO2 DISCHARGE NOZZLE-SMALL TYPE

PART NO :
IH011 Series

OLD DWG.NO.:DP-5.8/11-469
NEW DWG.NO.:DP-5.8/MT-249

DATE : JUN. 2019

REVISION : 02

SCALE : N.T.S

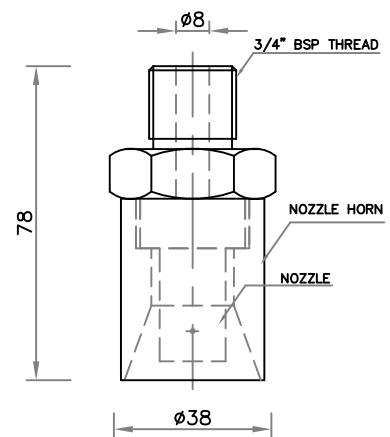
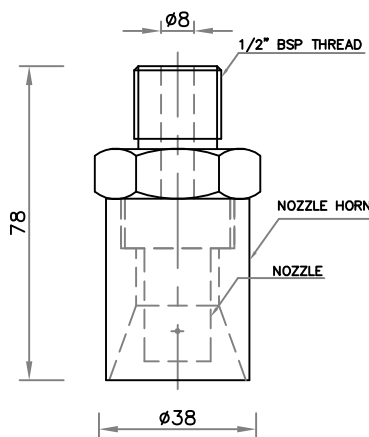
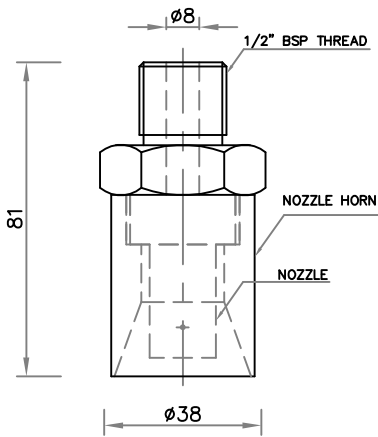
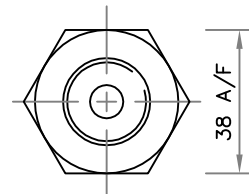
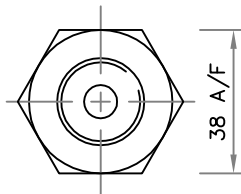
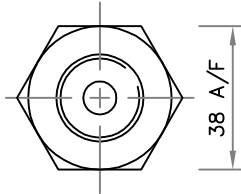
SHEET : 2 OF 5

APPD. BY : *Silva*

MODEL NO: IH011-M1/2" - AL

MODEL NO: IH011-M1/2" - SS304

MODEL NO: IH011-M3/4" - AL



NOTE :

1. TOLERANCE ON DIMENSION ± 2 mm, UNLESS OTHERWISE SPECIFIED.
2. ALL DIMENSIONS ARE IN "mm" UNLESS OTHERWISE SPECIFIED.

TECHNICAL SPECIFICATION

SL. NO.	MODEL NO: IH011-M1/2" - AL		MODEL NO: IH011-M1/2" - SS304		MODEL NO: IH011-M3/4" - AL	
01.	MANUFACTURER	AGNI CONTROLS – CHENNAI	MANUFACTURER	AGNI CONTROLS – CHENNAI	MANUFACTURER	AGNI CONTROLS – CHENNAI
02.	NOZZLE HORN	MATERIAL OF CONSTRUCTION – ALUMINIUM	NOZZLE HORN	MATERIAL OF CONSTRUCTION – SS304	NOZZLE HORN	MATERIAL OF CONSTRUCTION – ALUMINIUM
03.	NOZZLE	MATERIAL OF CONSTRUCTION – BRASS (NICKEL PLATED)	NOZZLE	MATERIAL OF CONSTRUCTION – BRASS (NICKEL PLATED)	NOZZLE	MATERIAL OF CONSTRUCTION – BRASS (NICKEL PLATED)
04.	ORIFICE	AS PER REQUIREMENT	ORIFICE	AS PER REQUIREMENT	ORIFICE	AS PER REQUIREMENT

IMPORTANT:

AGNI CONTROLS RESERVES THE RIGHT TO CHANGE OR MODIFY WITHOUT PREVIOUS NOTICE ANY DATA OR SPECIFICATION DUE TO CHANGES OR MODIFICATION IN ORDER TO IMPROVE THE PRODUCTS / SYSTEM PRESENTED.



NO.1, 6TH STREET, Dr.SUBBARAYAN NAGAR,
KODAMBAKKAM, CHENNAI-600 024, INDIA.
PHONE : +91 44 2481 2420,
E-MAIL : engineering@agnicontrols.com WEBSITE : www.balafire.com

ISO 9001 - 2015
BUREAU VERITAS
CERTIFICATION

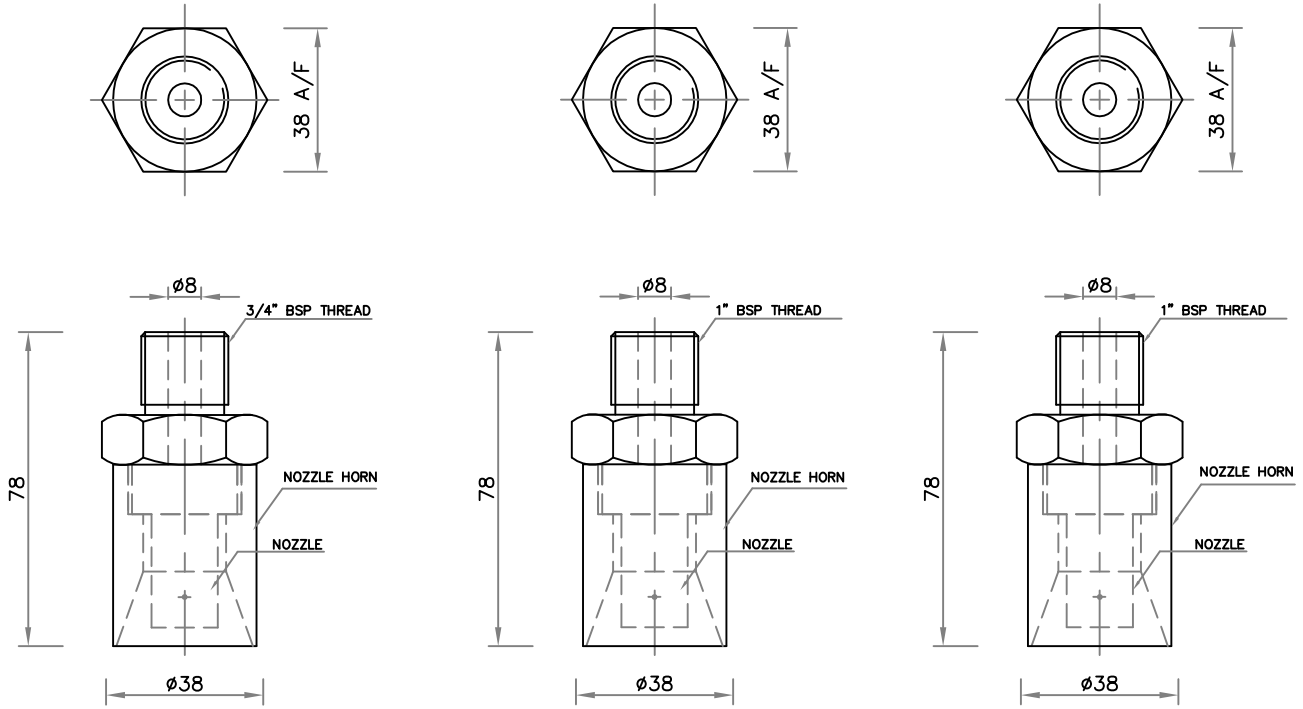
DATA SHEET	CO2 DISCHARGE NOZZLE-SMALL TYPE	PART NO : IH011 Series
-------------------	--	---------------------------

OLD DWG.NO.:DP-5.8/11-469 NEW DWG.NO.:DP-5.8/MT-249	DATE : JUN. 2019	REVISION : 02	SCALE : N.T.S	SHEET : 3 OF 5	APPD. BY :
--	------------------	---------------	---------------	----------------	------------

MODEL NO: IH011-M3/4" - SS304

MODEL NO: IH011-M1" - SS304

MODEL NO: IH011-M1" - AL



- NOTE :**
1. TOLERANCE ON DIMENSION ± 2 mm, UNLESS OTHERWISE SPECIFIED.
 2. ALL DIMENSIONS ARE IN "mm" UNLESS OTHERWISE SPECIFIED.

TECHNICAL SPECIFICATION

SL. NO.	MODEL NO: IH011-M3/4" - SS304	MODEL NO: IH011-M1" - SS304	MODEL NO: IH011-M1" - AL
01.	MANUFACTURER AGNI CONTROLS – CHENNAI	MANUFACTURER AGNI CONTROLS – CHENNAI	MANUFACTURER AGNI CONTROLS – CHENNAI
02.	NOZZLE HORN MATERIAL OF CONSTRUCTION – SS304	NOZZLE HORN MATERIAL OF CONSTRUCTION – SS304	NOZZLE HORN MATERIAL OF CONSTRUCTION – ALUMINIUM
03.	NOZZLE MATERIAL OF CONSTRUCTION – BRASS (NICKEL PLATED)	NOZZLE MATERIAL OF CONSTRUCTION – BRASS (NICKEL PLATED)	NOZZLE MATERIAL OF CONSTRUCTION – BRASS (NICKEL PLATED)
04.	ORIFICE AS PER REQUIREMENT	ORIFICE AS PER REQUIREMENT	ORIFICE AS PER REQUIREMENT

IMPORTANT:

AGNI CONTROLS RESERVES THE RIGHT TO CHANGE OR MODIFY WITHOUT PREVIOUS NOTICE ANY DATA OR SPECIFICATION DUE TO CHANGES OR MODIFICATION IN ORDER TO IMPROVE THE PRODUCTS / SYSTEM PRESENTED.



NO.1, 6TH STREET, Dr.SUBBARAYAN NAGAR,
KODAMBAKKAM, CHENNAI-600 024, INDIA.
PHONE : +91 44 2481 2420,
E-MAIL : engineering@agnicontrols.com WEBSITE : www.balafire.com

ISO 9001 - 2015
BUREAU VERITAS
CERTIFICATION

DATA SHEET

CO2 DISCHARGE NOZZLE-SMALL TYPE

PART NO :
IH011 Series

OLD DWG.NO.:DP-5.8/11-469
NEW DWG.NO.:DP-5.8/MT-249

DATE : JUN. 2019

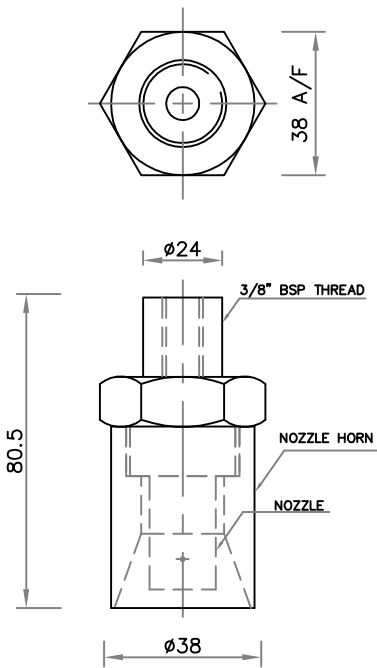
REVISION : 02

SCALE : N.T.S

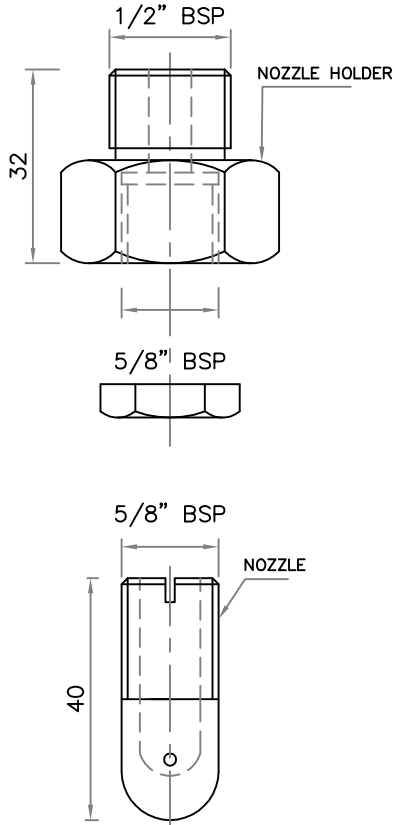
SHEET : 4 OF 5

APPD. BY : *[Signature]*

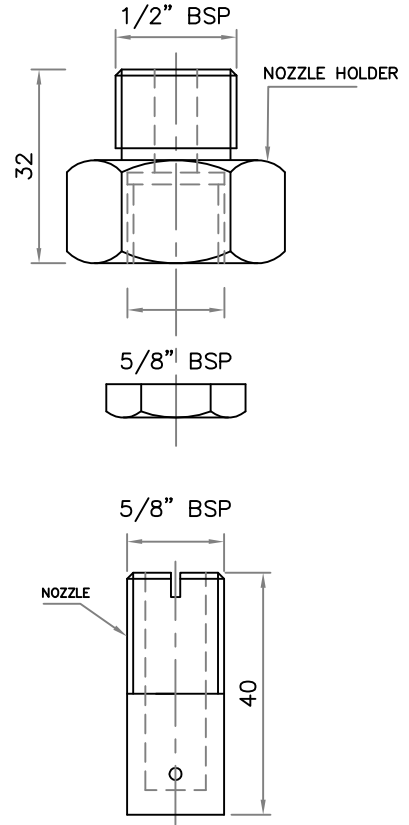
MODEL NO: IH011-F3/8" - AL



MODEL NO: IH011/1-M1/2" - RN



MODEL NO: IH011/2-M1/2" - FN



NOTE :

1. TOLERANCE ON DIMENSION ± 2 mm, UNLESS OTHERWISE SPECIFIED.
2. ALL DIMENSIONS ARE IN "mm" UNLESS OTHERWISE SPECIFIED.

TECHNICAL SPECIFICATION

SL. NO.	MODEL NO: IH011-F3/8" - AL		MODEL NO: IH011/1-M1/2" - RN		MODEL NO: IH011/2-M1/2" - FN	
01.	MANUFACTURER	AGNI CONTROLS – CHENNAI	MANUFACTURER	AGNI CONTROLS – CHENNAI	MANUFACTURER	AGNI CONTROLS – CHENNAI
02.	NOZZLE HORN	MATERIAL OF CONSTRUCTION – ALUMINIUM	NOZZLE HOLDER	MATERIAL OF CONSTRUCTION – BRASS (NICKEL PLATED)	NOZZLE HOLDER	MATERIAL OF CONSTRUCTION – BRASS (NICKEL PLATED)
03.	NOZZLE	MATERIAL OF CONSTRUCTION – BRASS (NICKEL PLATED)	NOZZLE	MATERIAL OF CONSTRUCTION – BRASS (NICKEL PLATED)	NOZZLE	MATERIAL OF CONSTRUCTION – BRASS (NICKEL PLATED)
04.	ORIFICE	AS PER REQUIREMENT	ORIFICE	AS PER REQUIREMENT	ORIFICE	AS PER REQUIREMENT

IMPORTANT:

AGNI CONTROLS RESERVES THE RIGHT TO CHANGE OR MODIFY WITHOUT PREVIOUS NOTICE ANY DATA OR SPECIFICATION DUE TO CHANGES OR MODIFICATION IN ORDER TO IMPROVE THE PRODUCTS / SYSTEM PRESENTED.



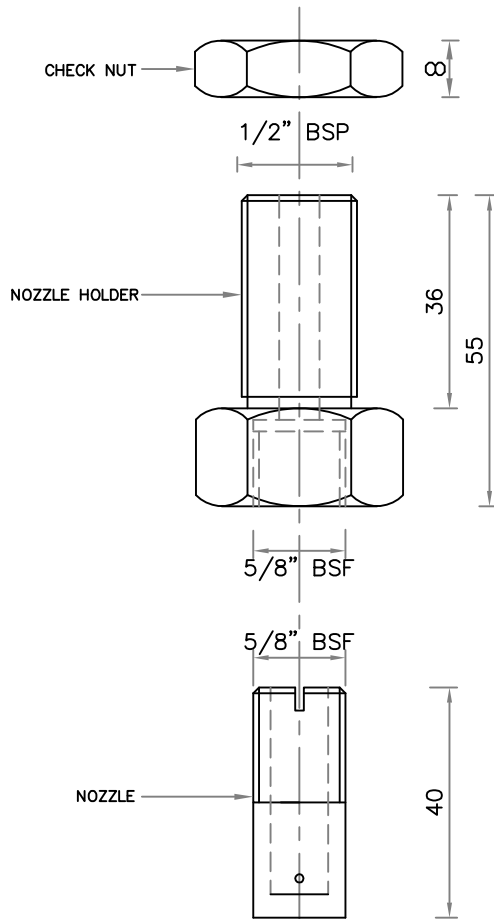
NO.1, 6TH STREET, Dr.SUBBARAYAN NAGAR,
KODAMBAKKAM, CHENNAI-600 024, INDIA.
PHONE : +91 44 2481 2420,
E-MAIL : engineering@agnicontrols.com WEBSITE : www.balafire.com

ISO 9001 - 2015
BUREAU VERITAS
CERTIFICATION

DATA SHEET	CO2 DISCHARGE NOZZLE-SMALL TYPE	PART NO : IH011 Series
-------------------	--	---------------------------

OLD DWG.NO.:DP-5.8/11-469 NEW DWG.NO.:DP-5.8/MT-249	DATE : JUN. 2019	REVISION : 02	SCALE : N.T.S	SHEET : 5 OF 5	APPD. BY : <i>[Signature]</i>
--	------------------	---------------	---------------	----------------	-------------------------------

MODEL NO: IH011/2-M1/2" - B



- NOTE :**
1. TOLERANCE ON DIMENSION ± 2 mm, UNLESS OTHERWISE SPECIFIED.
 2. ALL DIMENSIONS ARE IN "mm" UNLESS OTHERWISE SPECIFIED.

TECHNICAL SPECIFICATION

SL. NO.	MODEL NO: IH011/2-M1/2" - B	
01.	MANUFACTURER	AGNI CONTROLS – CHENNAI
02.	NOZZLE HOLDER	MATERIAL OF CONSTRUCTION –BRASS (NICKEL PLATED)
03.	NOZZLE	MATERIAL OF CONSTRUCTION – BRASS (NICKEL PLATED)
04.	ORIFICE	AS PER REQUIREMENT

<p>IMPORTANT:</p> <p>AGNI CONTROLS RESERVES THE RIGHT TO CHANGE OR MODIFY WITHOUT PREVIOUS NOTICE ANY DATA OR SPECIFICATION DUE TO CHANGES OR MODIFICATION IN ORDER TO IMPROVE THE PRODUCTS / SYSTEM PRESENTED.</p>	<p>AGNI CONTROLS CHENNAI</p> <p>NO.1, 6TH STREET, Dr.SUBBARAYAN NAGAR, KODAMBAKKAM, CHENNAI-600 024, INDIA.</p> <p>PHONE : +91 44 2481 2420, E-MAIL : engineering@agnicontrols.com WEBSITE : www.balafire.com</p>	<p>ISO 9001 - 2015 BUREAU VERITAS CERTIFICATION</p>
--	--	---