

# fladet<sup>®</sup> SERIES...

<b>DATA SHEET</b>	<b>IR EMBER DETECTOR WITH INBUILT AIR PURGING UNIT</b>	PART NO : IH153ES-P-IB
-------------------	--	---------------------------

DOC. NO: DP-5.8/MT-580	DATE: JAN. 2025	REVISION : 04	SCALE : N.T.S	SHEET: 1 OF 2	APPD. BY : DBS
------------------------	-----------------	---------------	---------------	---------------	----------------

**INTRODUCTION :-**

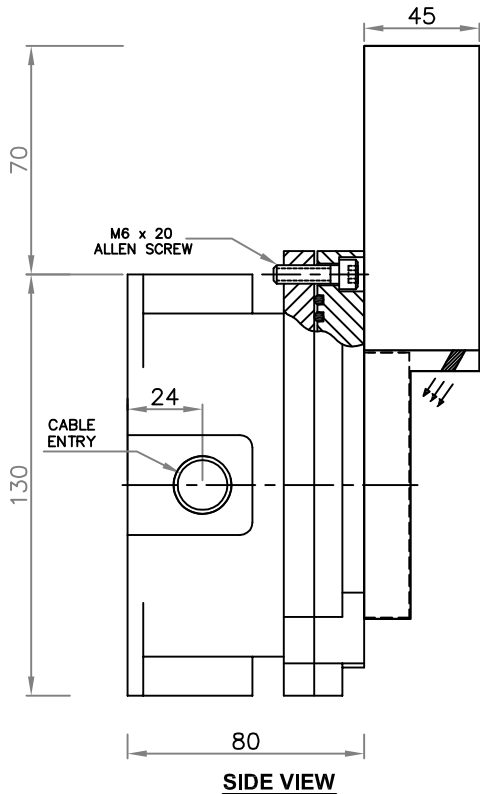
IR EMBER DETECTOR WITH IP 67 ENCLOSURE. THE DETECTOR CAN DETECT EMBER. WIDELY RECOMMENDED TO USE IN COAL CONVEYOR PROTECTION. THE DETECTOR CAN BE CONNECTED TO FIRE ALARM PANEL / ANNUNCIATION PANEL / PLC USING SUITABLE POTENTIAL FREE CONTACTS. THE DETECTOR IS PROVIDED WITH SENSITIVITY SELECTION SWITCH.

REV 03 : TECHNICAL SPECIFICATION IS UPDATED.

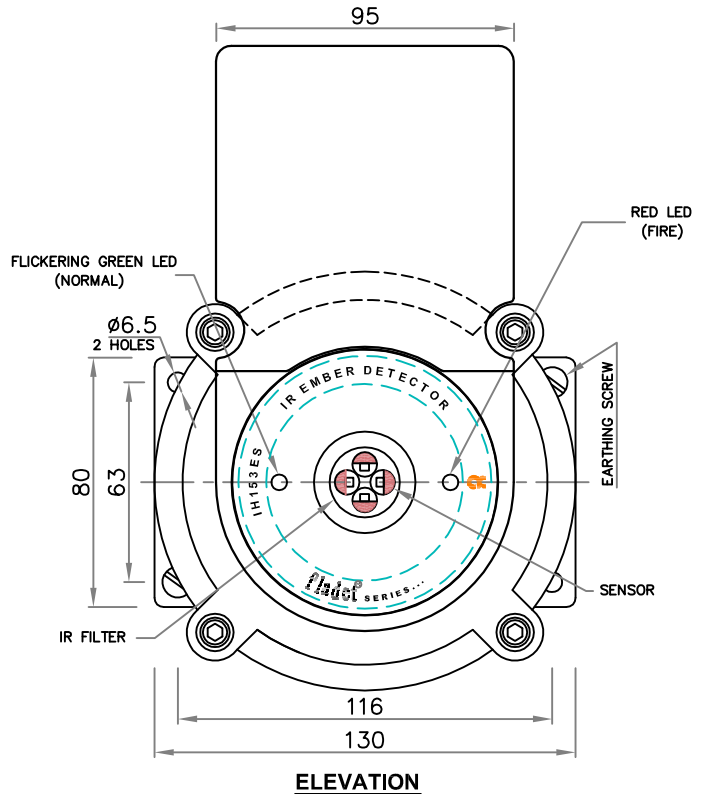
REV 04 : CE CERTIFICATE NO. UPDATED.

**NOTE:**

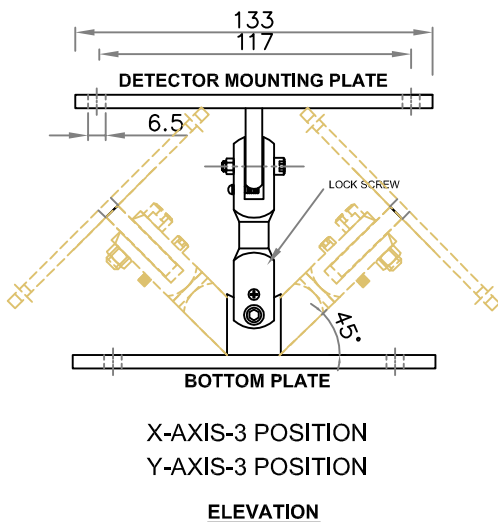
THIS DATASHEET CAN BE ALSO REFERRED AS DOC. NO : DP-5.8/CP-580



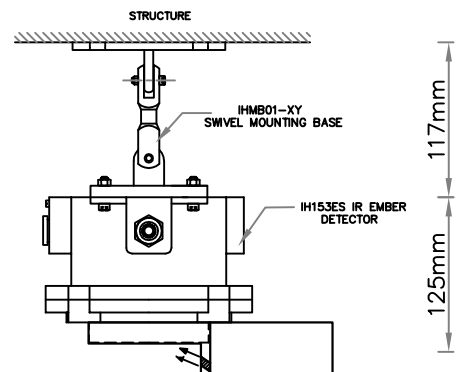
**PART NO : IHMB01-XY - SWIVEL MOUNTING BASE**



**RECOMMENDED MOUNTING ARRANGEMENTS OF DETECTOR & AIR PURGING UNIT**



X-AXIS-3 POSITION  
Y-AXIS-3 POSITION



**NOTE:**

1. ALL DIMENSIONS ARE IN "mm" UNLESS OTHERWISE SPECIFIED.
2. TOLERANCE ON DIMENSION  $\pm 3$  mm, UNLESS OTHERWISE SPECIFIED.
3. \* CERTIFICATE NUMBERS MAY BE UPDATED AS PER LATEST REPORTS. \* REPRESENTS CERTIFICATE ISSUE NUMBER.

**IMPORTANT:**

AGNI CONTROLS RESERVES THE RIGHT TO CHANGE OR MODIFY WITHOUT PREVIOUS NOTICE ANY DATA OR SPECIFICATION DUE TO CHANGES OR MODIFICATION IN ORDER TO IMPROVE THE PRODUCTS/SYSTEM PRESENTED.



NO.1, 6TH STREET, Dr.SUBBARAYAN NAGAR,  
KODAMBAKKAM, CHENNAI-600 024, INDIA.  
PHONE : +91 44 2481 2420  
E-MAIL : engineering@agnicontrols.com WEBSITE : www.balafire.com

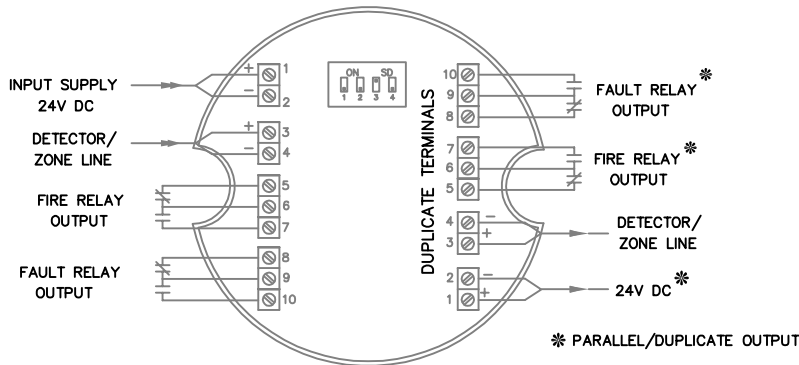
ISO 9001-2015  
CERTIFIED COMPANY

# fladet<sup>®</sup> SERIES...

<b>DATA SHEET</b>	<b>IR EMBER DETECTOR WITH INBUILT AIR PURGING UNIT</b>	PART NO : IH153ES-P-IB
DOC. NO:DP-5.8/MT-580	DATE: JAN. 2025	REVISION :04
	SCALE : N.T.S	SHEET: 2 OF 2
		APPD. BY : DBS

## WIRING CONNECTION DRAWING OF EMBER DETECTOR

TERMINAL ARRANGEMENT FOR IH153ES



## TECHNICAL SPECIFICATION

01.	MANUFACTURER	AGNI CONTROLS - CHENNAI		
02.	IR EMBER DETECTOR	PART NO : IH153ES-P-IB	2.15	SENSITIVITY SELECTION
2.1	MATERIAL	CAST ALUMINIUM LM6		4 RANGE OF SELECTIONS
2.2	FINISH	ENCLOSURE- HAMMER TONE GRAY		VERY HIGH SENSITIVITY - 1
2.3	CABLE ENTRY	M20X1.5 - 3NOS		HIGH SENSITIVITY - 2
2.4	PROTECTION CLASS	IP 67 (ONLY FOR DETECTOR)		NORMAL SENSITIVITY - 3 (DEFAULT SETTING)
2.5	SENSING ELEMENT	INFRA RED		LOW SENSITIVITY - 4
2.6	SPECTRAL FILTER	3000 - 14000 nm	2.16	RELAY CONTACT RATING
2.7	EXTERNAL EARTHING	2 Nos.-M6		1A AT 125V AC, 2A AT 30V DC
2.8	FASTENERS	SS 304	2.17	APPROVAL / CONFORMATION / CERTIFICATION
2.9	OPERATING TEMPERATURE	-20°C TO +60°C		1. CE CERTIFICATE NO. ET/EMC/2022/1335S*
2.10	SUPPLY	SUPPLY 24V DC ± 20%,		2. IP PROTECTION CERTIFIED BY ETC & FM3260
2.11	QUIESCENT CURRENT	< 110mA @ 24VDC (INCLUDING AIR PURGING UNIT IN OPERATION)		3. CONFORMING REQUIREMENT NFPA 72E.
				4. CONFORMING REQUIREMENT OF IS-2189.
2.12	ALARM CURRENT	< 160mA @ 24VDC	3.	AIR PURGING UNIT
2.13	DETECTOR SENSITIVITY	100 SQ.CM EMBER @ 1 TO 3 METER IN 90 DEG. CONE ANGLE & STRAIGHT LINE AT NORMAL SENSITIVITY..		INBUILT AIR PURGING UNIT (NO EXTERNAL POWER SUPPLY IS REQUIRED)
2.14	INDICATION	NORMAL - FLICKERING GREEN LED FIRE - RED LED	4.	MOUNTING ARRANGEMENT
				PART NO : IHMB01-XY MATERIAL OF CONSTRUCTION:M.S PLATE WITH POWDER COATING FASTNERS - SS304 TILTING POSITION X - (-45°)-0-(+45°) Y - (-45°)-0-(+45°)
2.15	OUTPUT	<u>IH153ES</u> 1. ONE SET OF NO-COM-NC CONTACT FOR FIRE PLUS ONE SET OF DUPLICATE NO-COM-NC CONTACT. 2. ONE SET OF NO-COM-NC CONTACT FOR FAULT PLUS ONE SET OF DUPLICATE NO-COM-NC CONTACT. 3. ZONE DETECTOR LINE TO CONNECT DIRECTLY STANDARD CONVENTIONAL FIRE ALARM PANEL.		

### IMPORTANT:

AGNI CONTROLS RESERVES THE RIGHT TO CHANGE OR MODIFY WITHOUT PREVIOUS NOTICE ANY DATA OR SPECIFICATION DUE TO CHANGES OR MODIFICATION IN ORDER TO IMPROVE THE PRODUCTS/SYSTEM PRESENTED.

**AGNI CONTROLS**  
**CHENNAI**

NO.1, 6TH STREET, Dr.SUBBARAYAN NAGAR,  
KODAMBAKKAM, CHENNAI-600 024, INDIA.  
PHONE : +91 44 2481 2420,  
E-MAIL : engineering@agnicontrols.com WEBSITE : www.balafire.com

ISO 9001-2015  
CERTIFIED COMPANY