

DATA SHEET

WINTERGREEN ODORIZERS

PART NO : IH324/*

DP-5.8/08-116

DATE : OCT-2009

REVISION : 00

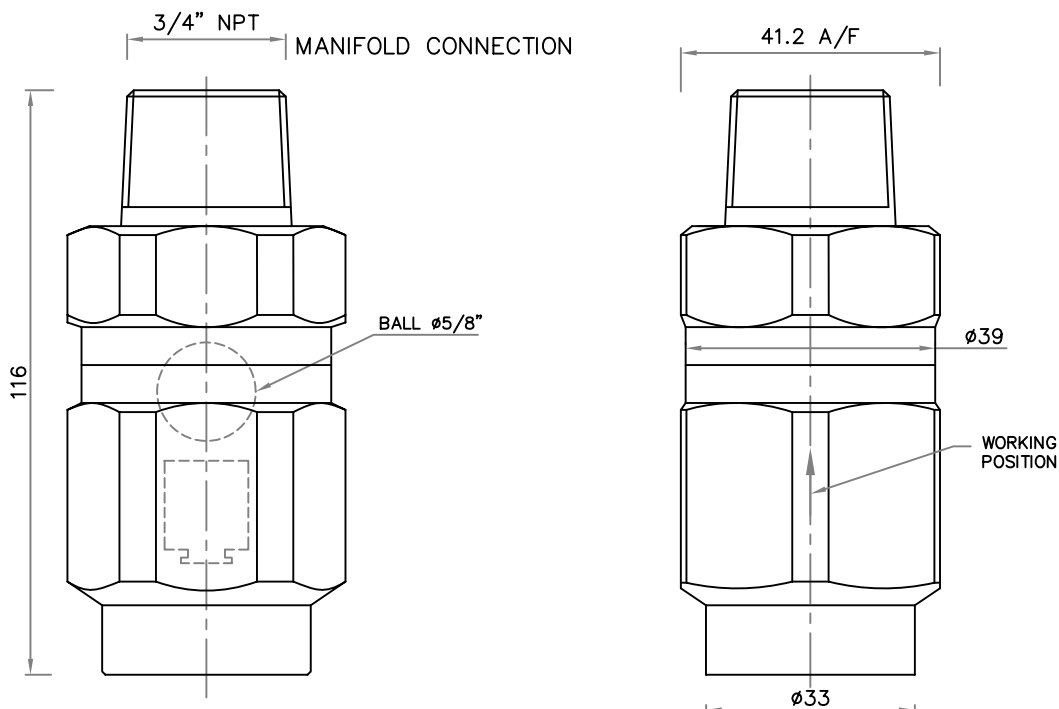
SCALE : N.T.S

SHEET : 1 OF 1

APPD. BY : D.B.

INTRODUCTION :-

WINTERGREEN ODORIZER IS TO BE INSTALLED IN THE DISTRIBUTION PIPE AFTER DIRECTIONAL VALVE TO PROVIDE ALERT SIGN FOR EVACUATION IN THE PROTECTED AREA.



ALL DIMENSIONS ARE IN "mm" UNLESS OTHERWISE SPECIFIED.

TECHNICAL SPECIFICATION

01.	MANUFACTURER	AGNI CONTROLS – CHENNAI	06.	ODORIZER	WINTERGREEN
02.	MATERIAL OF CONSTRUCTION	BRASS	07.	QUANTITY	10 ML
03.	INNER BALL	CS			
04.	TEST PRESSURE	75 BAR HYDRAULIC			
05.	WORKING PRESSURE	50 BAR.			

IMPORTANT:

AGNI CONTROLS RESERVES THE RIGHT TO CHANGE OR MODIFY WITHOUT PREVIOUS NOTICE ANY DATA OR SPECIFICATION DUE TO CHANGES OR MODIFICATION IN ORDER TO IMPROVE THE PRODUCTS / SYSTEM PRESENTED.



**AGNI CONTROLS
CHENNAI**

NO.1, 6TH STREET, Dr.SUBBARAYAN NAGAR,
KODAMBAKKAM, CHENNAI-600 024, INDIA.

PHONE : +91 44 2481 2420, FAX : +91 44 2481 2475,
E-MAIL : engineering@agnicontrols.com WEBSITE : www.balafire.com

**ISO 9001 - 2008
CERTIFIED BY
BUREAU VERITAS**