

**DATA SHEET**

## MANIFOLD NON RETURN VALVE

PART NO : B321/50

OLD REF NO : 339  
DP-5.8/08-033

DATE : OCT-2009

REVISION : 00

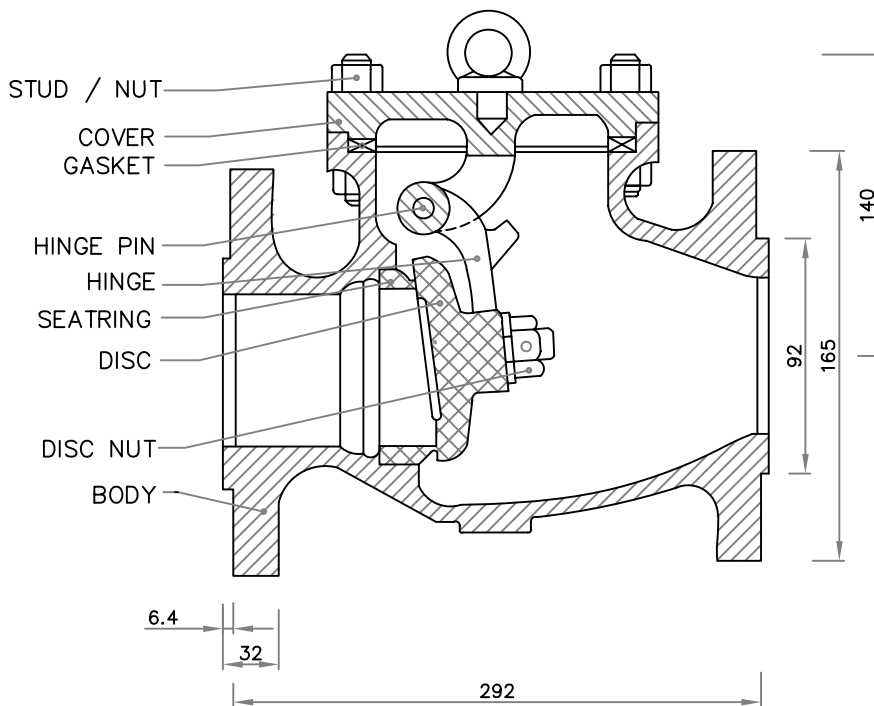
SCALE : N.T.S

SHEET : 1 OF 1

APPD. BY:DB

INTRODUCTION :-

NON RETURN VALVE TO BE USED IN CO2 BANK ASSEMBLY



PART NO. B321/50  
50NB – NON RETURN VALVE

ALL DIMENSIONS ARE IN "mm" UNLESS OTHERWISE SPECIFIED.

### TECHNICAL SPECIFICATION

01.	MANUFACTURER	BDK	08.	GASKET	SPW 304 + CAF FILLER
02.	WORKING PRESSURE	102 BAR AT 38 °C	09.	STUDS & NUTS	ASTM A 193 GR. B7/194 GR.2H
03.	TESTING PRESSURE	SHELL – 155 BAR SEAT – 113 BAR	10.	END CONCESSIONS	FLANGED TO ANSI STD
04.	BODY BONNET	CAST CARBON STEEL TO ASTM A216 GR. WCB	11.	VALVE RATING	CLASS 600#
05.	SEAT	AISI 410(13% CR) WITH PTFE SOFT SEATED	12.	VALVE STD/TESTING	BS :1868/BS :6755 (PART I)
06.	DISC	ASTM A276 TYPE 410(13%CR)	13.	DESIGN TESTING STD	API 598
07.	GUIDE	AISI 316	14.	DESIGN STD	API 600

IMPORTANT:

AGNI CONTROLS RESERVES THE RIGHT TO CHANGE OR MODIFY WITHOUT PREVIOUS NOTICE ANY DATA OR SPECIFICATION DUE TO CHANGES OR MODIFICATION IN ORDER TO IMPROVE THE PRODUCTS / SYSTEM PRESENTED.



**AGNI CONTROLS**  
**CHENNAI**  
NO.1, 6TH STREET, Dr.SUBBARAYAN NAGAR,  
KODAMBAKKAM, CHENNAI-600 024, INDIA.

PHONE : +91 44 2481 2420, FAX : +91 44 2481 2475,

E-MAIL : engineering@agnicontrols.com WEBSITE : www.balafire.com

**ISO 9001 - 2008**  
**CERTIFIED BY**  
**BUREAU VERITAS**