

DATA SHEET

**CO2 SLAVE VALVE WITH PNEUMATIC ACTUATOR
& MANUAL LEVER**

OLD PART NO:
BIH004/2

PART NO: BIH004/DIN

OLD REF NO : 331
DP-5.8/08-008

DATE : FEB 2012

REVISION : 01

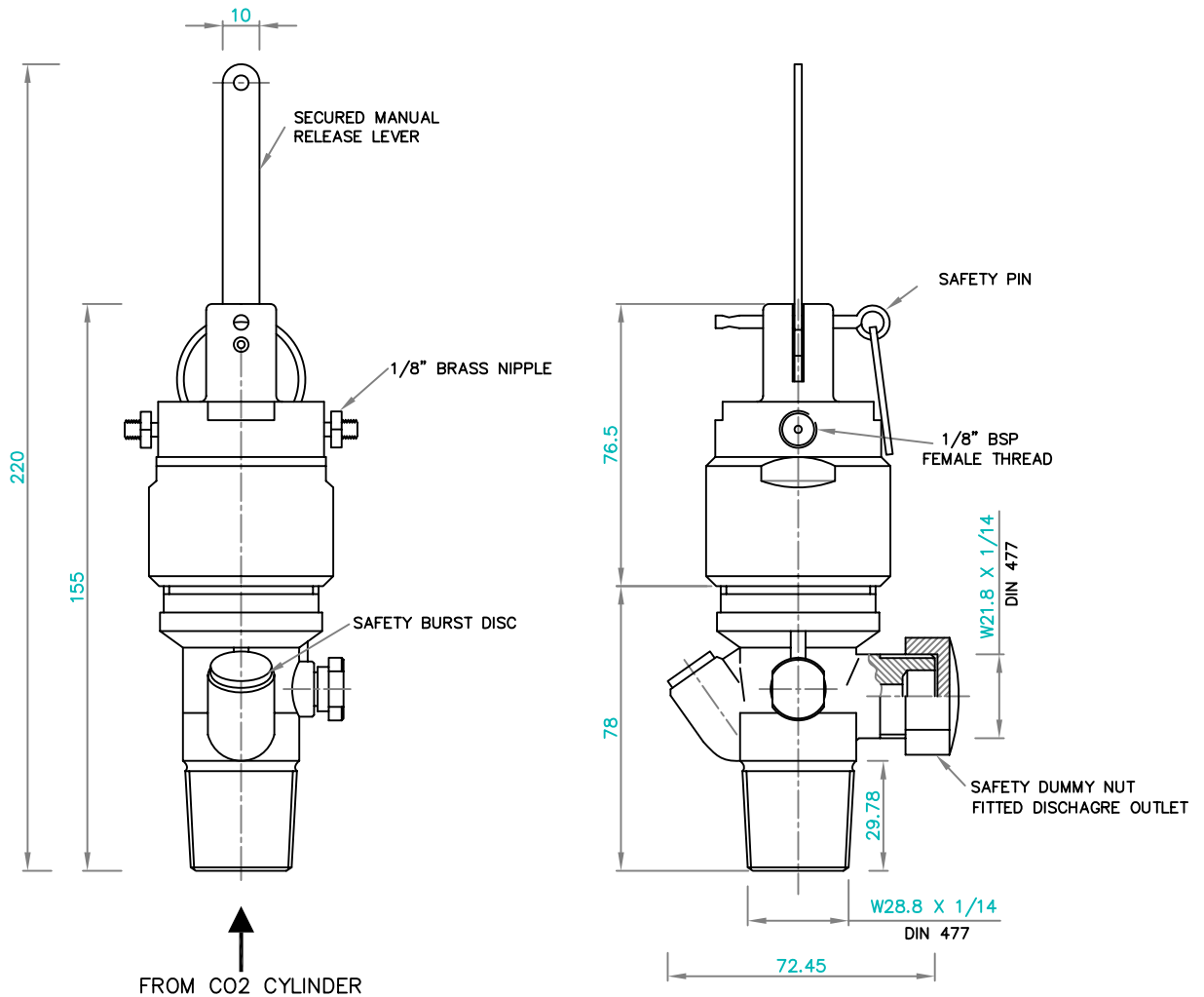
SCALE : N.T.S

SHEET : 1 OF 1

APPD. BY: DB

INTRODUCTION :-

CEODEUX SLAVE CYLINDER VALVE FITTED IN THE CO2 CYLINDER CAN BE OPERATED THROUGH PNEUMATIC PRESSURE HEAD WHICH IS AN INTEGRAL PART OF VALVE. ALSO VALVE CAN BE OPERATED BY USING MANUAL LEVER.
REV.01: PART NO. CHANGED.



ALL DIMENSIONS ARE IN "mm" UNLESS OTHERWISE SPECIFIED.

TECHNICAL SPECIFICATION

01.	MANUFACTURER	CEODEUX (EU)	06.	MATERIAL OF COMPONENT	BRASS & SS
02.	MAX. WORKING PRESSURE	250 BAR	07.	CO2 DISCHARGE RATE	45 KG/MIN.
03.	FUNCTIONAL PRESSURE	60 BAR	08.	DIP TUBE CONNECTION	M16 X 1
04.	WORKING TEMPERATURE	-20°C TO 60°C	09.	WEIGHT	1.25KG.
05.	SAFETY DISC	190 BAR ± 5%	10.	APPROVAL	LPCB / VDS / CE

IMPORTANT:

AGNI CONTROLS RESERVES THE RIGHT TO CHANGE OR MODIFY WITHOUT PREVIOUS NOTICE ANY DATA OR SPECIFICATION DUE TO CHANGES OR MODIFICATION IN ORDER TO IMPROVE THE PRODUCTS / SYSTEM PRESENTED.



NO.1, 6TH STREET, Dr.SUBBARAYAN NAGAR,
KODAMBAKKAM, CHENNAI-600 024, INDIA.

PHONE : +91 44 2481 2420, FAX : +91 44 2481 2475,
E-MAIL : engineering@agnicontrols.com WEBSITE : www.balafire.com

**ISO 9001 - 2008
CERTIFIED BY
BUREAU VERITAS**