

PART NO:
BIH001/4-NET-PG

DATA SHEET

INERT CYLINDER VALVE WITH SOLENOID

DP-5.8/11-371

DATE : FEB 2010

REVISION : 00

SCALE : N.T.S

SHEET : 1 OF 1

APPD. BY : DB

INTRODUCTION :-

INERT CYLINDER VALVE WITH SOLENOID VALVE B0439 FOR CO2 SYSTEM AS PILOT CYLINDER VALVE.

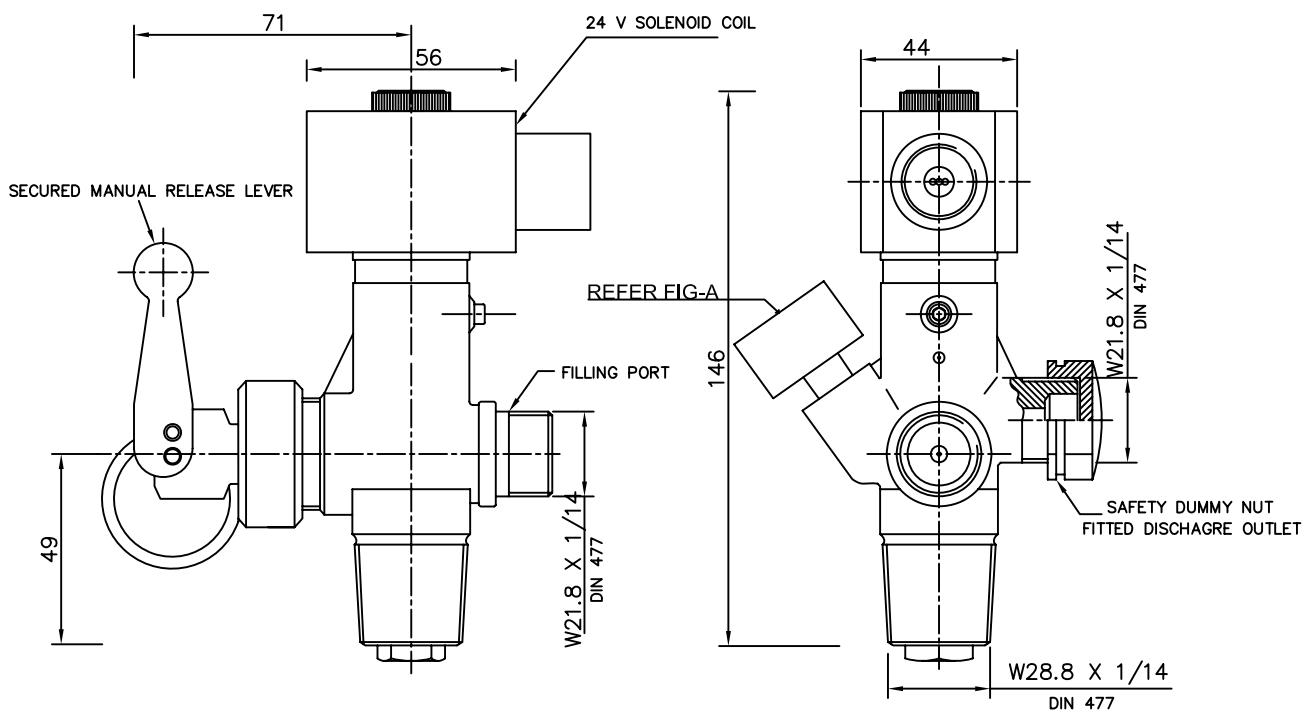
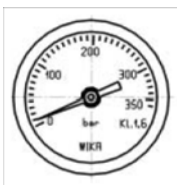


FIG-A - PRESSURE GAUGE



ALL DIMENSIONS ARE IN "mm" UNLESS OTHERWISE SPECIFIED.

TECHNICAL SPECIFICATION – MASTER VALVE

01.	MANUFACTURER	CEODEUX (EU)
02.	MAX. WORKING PRESSURE	250 BAR
03.	OPERATING	TOTAL DISCHARGE
04.	WORKING TEMPERATURE	-20°C TO 60°C
05.	MATERIAL OF COMPONENT	BRASS & SS
06.	SOLENOID OPERATOR	24 V DC, 10 WATT
07.	APPROVAL	CE

IMPORTANT:

AGNI CONTROLS RESERVES THE RIGHT TO CHANGE OR MODIFY WITHOUT PREVIOUS NOTICE ANY DATA OR SPECIFICATION DUE TO CHANGES OR MODIFICATION IN ORDER TO IMPROVE THE PRODUCTS / SYSTEM PRESENTED.



NO.1, 6TH STREET, Dr.SUBBARAYAN NAGAR,
KODAMBAKKAM, CHENNAI-600 024, INDIA.

PHONE : +91 44 2481 2420, FAX : +91 44 2481 2475,
E-MAIL : engineering@agnicontrols.com WEBSITE : www.balafire.com

ISO 9001 - 2008
CERTIFIED BY
BUREAU VERITAS