

**DATA SHEET**

**INERT CYLINDER VALVE WITH SOLENOID**

PART NO:  
BIH001/4-NET-PS

DP-5.8/08-156

DATE : AUG 2011

REVISION : 00

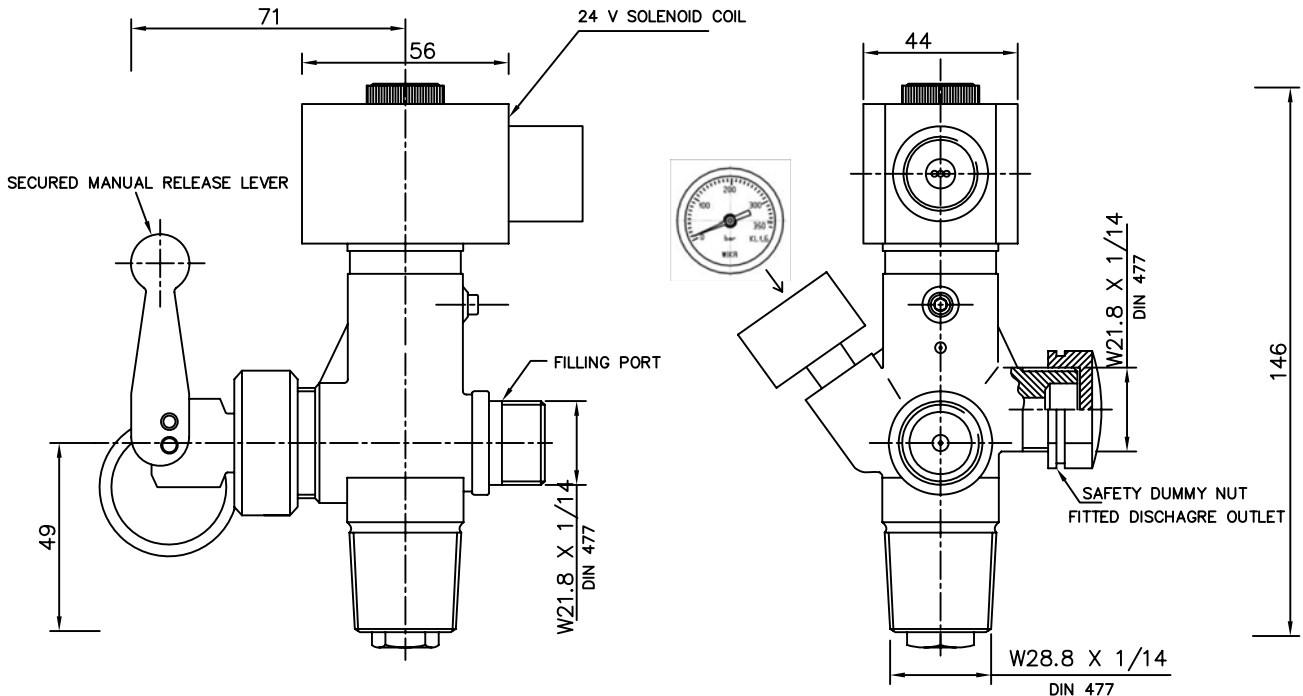
SCALE : N.T.S

SHEET : 1 OF 1

APPD. BY : DB

INTRODUCTION :-

INERT CYLINDER VALVE WITH SOLENOID VALVE B0439 FOR CO2 SYSTEM AS PILOT CYLINDER VALVE.



ALL DIMENSIONS ARE IN "mm" UNLESS OTHERWISE SPECIFIED.

**TECHNICAL SPECIFICATION – MASTER VALVE**

01. MANUFACTURER	CEODEUX (EU)	08. PRESSURE SWITCH RANGE	
02. MAX. WORKING PRESSURE	250 BAR	PS 150	DIAL RANGE (0-315) BAR 'NC' CONTACT BECOME 'NO' CONTACT AT 148 BAR ± 8 BAR PRESSURE RANGE.
03. OPERATING	TOTAL DISCHARGE	PS 300	DIAL RANGE (0-360) BAR 'NC' CONTACT BECOME 'NO' CONTACT AT 180 BAR ± 10 BAR PRESSURE RANGE.
04. WORKING TEMPERATURE	-20°C TO 60°C		
05. MATERIAL OF COMPONENT	BRASS & SS		
06. SOLENOID OPERATOR	24 V DC, 10 WATT		
07. APPROVAL	CE		

IMPORTANT:

AGNI CONTROLS RESERVES THE RIGHT TO CHANGE OR MODIFY WITHOUT PREVIOUS NOTICE ANY DATA OR SPECIFICATION DUE TO CHANGES OR MODIFICATION IN ORDER TO IMPROVE THE PRODUCTS / SYSTEM PRESENTED.



NO.1, 6TH STREET, Dr.SUBBARAYAN NAGAR,  
KODAMBAKKAM, CHENNAI-600 024, INDIA.

PHONE : +91 44 2481 2420, FAX : +91 44 2481 2475,

E-MAIL : engineering@agnicontrols.com WEBSITE : www.balafire.com

**ISO 9001 - 2008  
CERTIFIED BY  
BUREAU VERITAS**