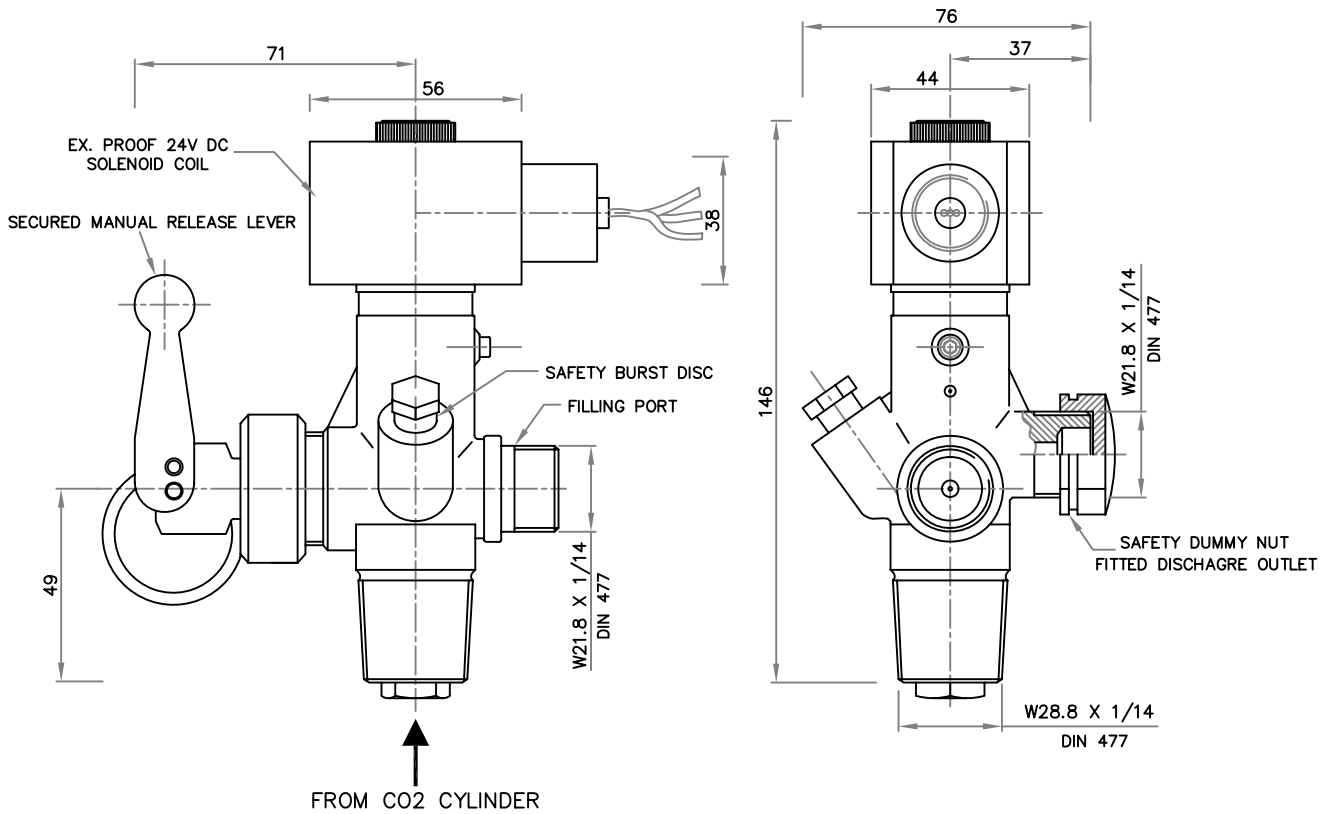


<b>DATA SHEET</b>	<b>CO2 MASTER VALVE WITH EXPLOSION PROOF SOLENOID &amp; MANUAL RELEASE LEVER</b>				OLD PART NO: B001/4E
					B001/DIN/EX
OLD REF NO : 341	DATE : OCT-2009	REVISION : 00	SCALE : N.T.S	SHEET : 1 OF 1	APPD. BY: DB05
DP-5.8/08-006					

**INTRODUCTION :-**

CEODEUX MASTER VALVE MODEL NO. B04390034 IS DESIGNED TO USE CENTRALIZED CO2 SYSTEM AS A ELECTROMAGNETIC AND MANUAL ACTUATION VALVE



ALL DIMENSIONS ARE IN "mm" UNLESS OTHERWISE SPECIFIED.

TECHNICAL SPECIFICATION – MASTER VALVE			TECHNICAL SPECIFICATION – SOLENOID VALVE	
01.	MANUFACTURER	CEODEUX (EU)	01.	OPERATING VOLTAGE
02.	MAX. WORKING PRESSURE	250 BAR	02.	HAZARDOUS AREA
03.	FUNCTIONAL PRESSURE	60 BAR	03.	APPROVAL
04.	WORKING TEMPERATURE	-20°C TO 60°C		
05.	SAFETY DISC	220 BAR ± 5%	(UL RECOGNIZED COMPONENT)	
06.	MATERIAL OF COMPONENT	BRASS & SS		
07.	CO2 DISCHARGE RATE	45 KG/MIN.		
08.	DIP TUBE CONNECTION	M10 X 0.75		
09.	WEIGHT	1.5KG.		
10.	APPROVAL	CE		

**IMPORTANT:**

AGNI CONTROLS RESERVES THE RIGHT TO CHANGE OR MODIFY WITHOUT PREVIOUS NOTICE ANY DATA OR SPECIFICATION DUE TO CHANGES OR MODIFICATION IN ORDER TO IMPROVE THE PRODUCTS / SYSTEM PRESENTED.



NO.1, 6TH STREET, Dr.SUBBARAYAN NAGAR, KODAMBAKKAM, CHENNAI-600 024, INDIA.

PHONE : +91 44 2481 2420, FAX : +91 44 2481 2475, E-MAIL : engineering@agnicontrols.com WEBSITE : www.balafire.com

**ISO 9001 - 2008  
CERTIFIED BY  
BUREAU VERITAS**