

bala fire safety

SCHEMATIC DIAGRAM FOR WATER MIST SYSTEM

DWG NO : 003

DATE : 28-05-03

REVISION : 0

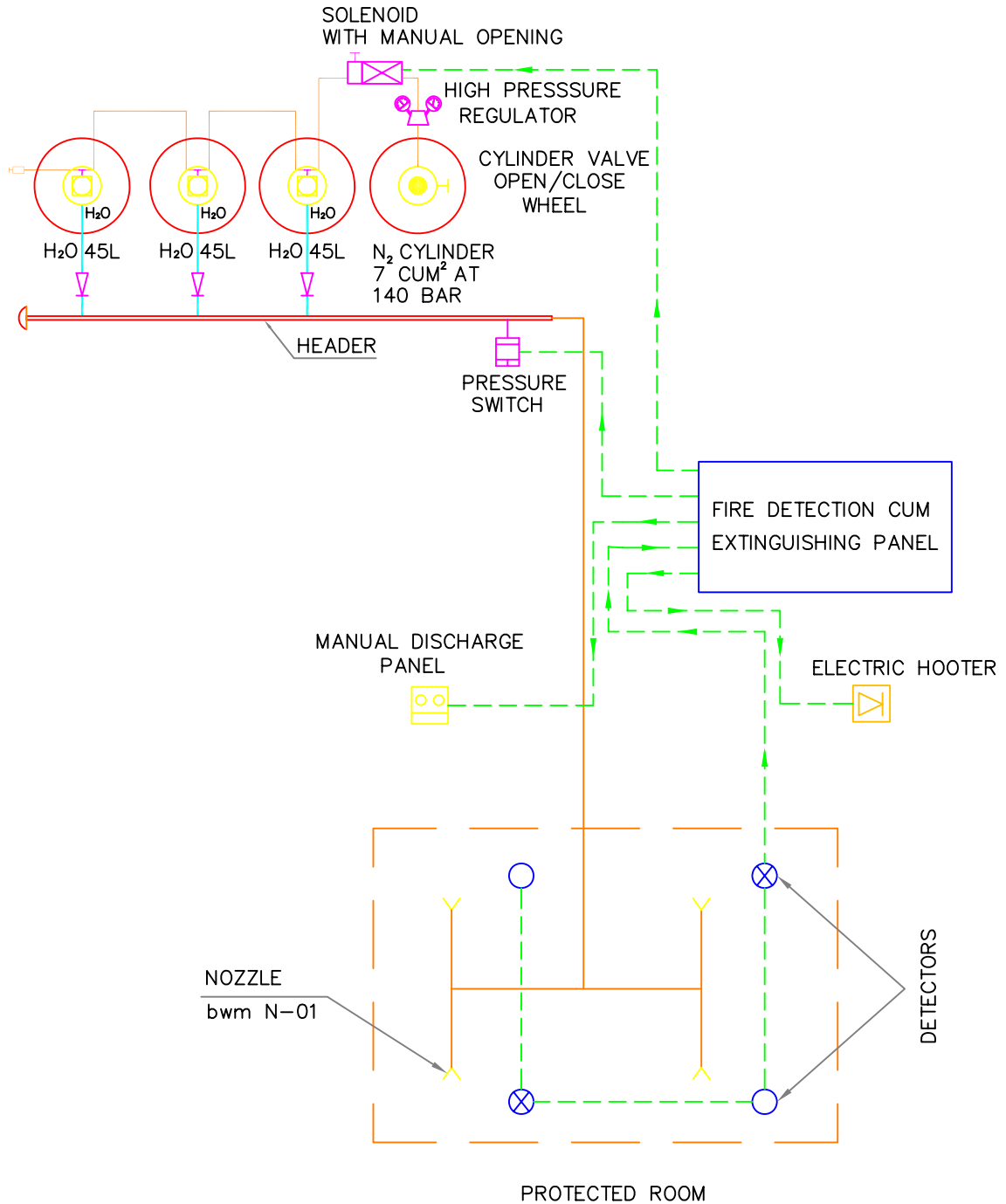
SCALE : N.T.S

DESIGN BY :

APPD. BY :

INTRODUCTION :

SCHEME DESCRIBES THE bala-wa-mist HIGH PRESSURE WATER MIST SYSTEM – 40 BAR TO COVER COMPUTER/DATA PROCESSING FACILITIES TO THE SIZE UP TO 100 CUM.



NOTES:

THIS IS NOT ERECTION DRAWING.

IMPORTANT:

AGNI CONTROLS RESERVES THE RIGHT TO CHANGE OR MODIFY WITHOUT PREVIOUS NOTICE ANY DATA OR SPECIFICATION DUE TO CHANGES OR MODIFICATION IN ORDER TO IMPROVE THE PRODUCTS / SYTEM PRESENTED.

NO.1, 6TH STREET,
Dr.SUBBARAYAN NAGAR, KODAMBAKKAM,
CHENNAI-600 024.
PHONE : 044-24812420, FAX : 044 -24812475
E-MAIL : balafiresafety@vsnl.net WEB : www.balafire.com

D:/AGNICONTROLS/bala fire safety/schematic diagram for water mist system.dwg