

fladet[®] SERIES...

DATA SHEET

**FLAME PROOF IR EMBER DETECTOR WITH
AIR PURGING PROVISION**

**PART NO :
IH8153ES**

DWG. NO: DP-5.8/MT-508

DATE: NOV. 2023

REVISION :02

SCALE : N.T.S

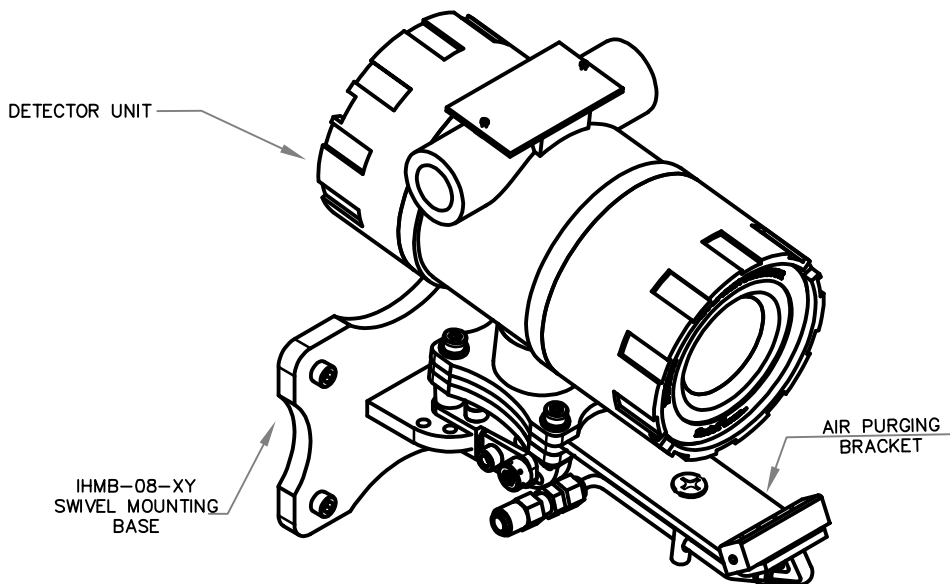
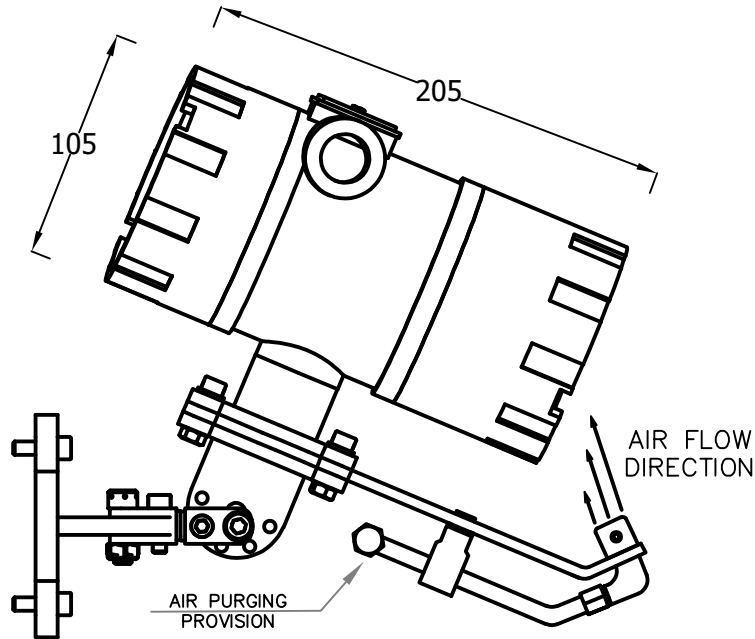
SHEET:1 OF 3

APPD. BY : DBS

INTRODUCTION :-

IR EMBER DETECTOR WITH SUITABLE FLAME PROOF ENCLOSURE TO DETECT EMBER. THE DETECTOR HAS PROVISION TO CONNECT ANY STANDARD FIRE ALARM PANEL OR TO CONNECT WITH ADDRESSABLE FIRE ALARM PANEL OR ANNUNCIATOR OR PLC USING POTENTIAL FREE 'NO' CONTACTS. IT IS WIDELY USED IN COAL CONVEYOR AND COAL BUNKER.

REV - 02 : CERTIFICATION DETAILS UPDATED.



NOTE

1. ALL DIMENSIONS ARE IN "mm" UNLESS OTHERWISE SPECIFIED.
2. TOLERANCE ON DIMENSION ± 3 mm, UNLESS OTHERWISE SPECIFIED.

IMPORTANT:

AGNI CONTROLS RESERVES THE RIGHT TO CHANGE OR MODIFY WITHOUT PREVIOUS NOTICE ANY DATA OR SPECIFICATION DUE TO CHANGES OR MODIFICATION IN ORDER TO IMPROVE THE PRODUCTS / SYSTEM PRESENTED.

AGNI CONTROLS

**ISO 9001 - 2015
CERTIFIED COMPANY**

NO.1, 6TH STREET, Dr.SUBBARAYAN NAGAR,
KODAMBAKKAM, CHENNAI-600 024, INDIA.

PHONE : +91 44 2481 2420,

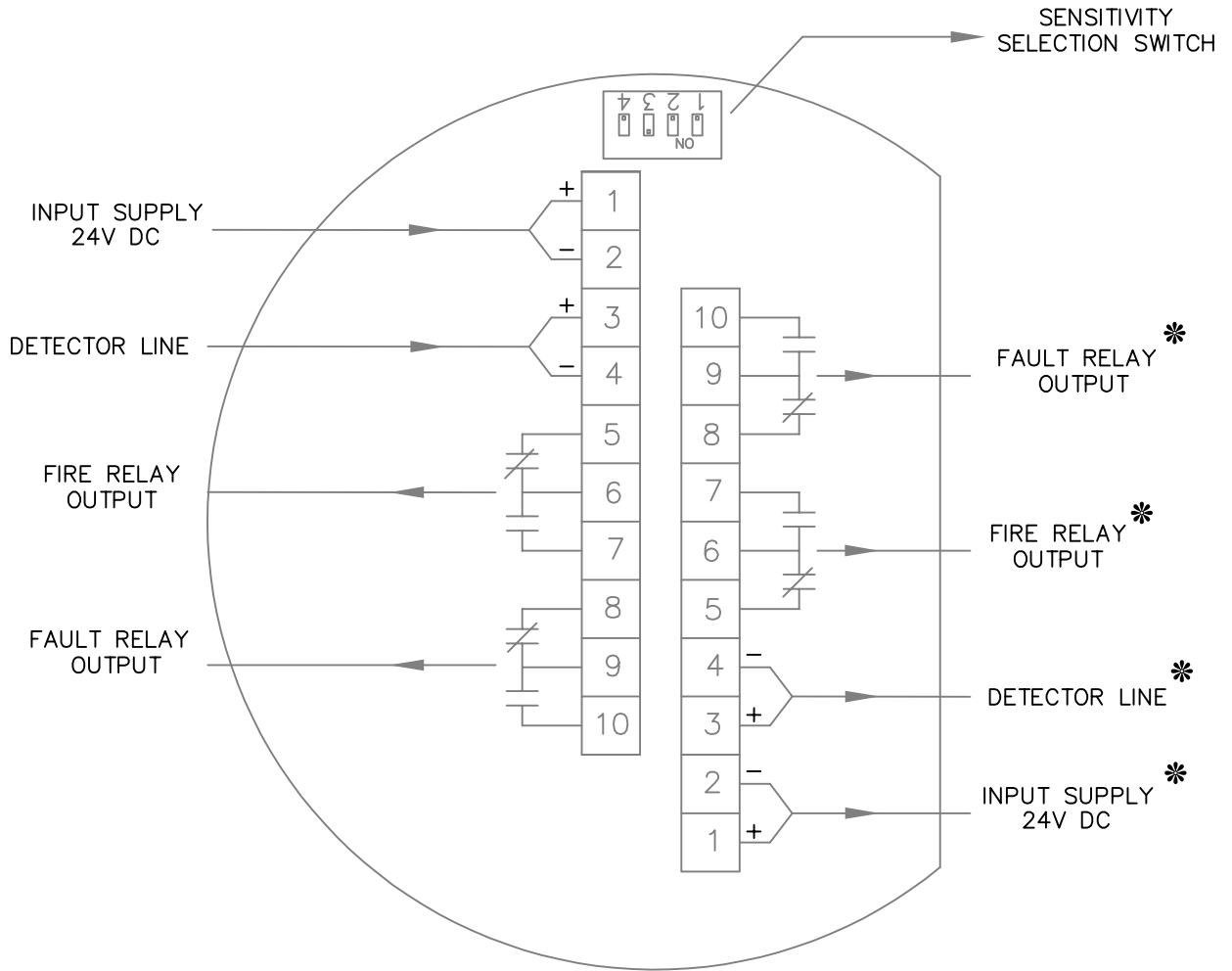
E-MAIL : engineering@agnicontrols.com WEBSITE : www.balafire.com

fladet[®] SERIES...

DATA SHEET	FLAME PROOF IR EMBER DETECTOR WITH AIR PURGING PROVISION	PART NO : IH8153ES
-------------------	---	---------------------------

DWG. NO: DP-5.8/MT-508	DATE: NOV. 2023	REVISION :02	SCALE : N.T.S	SHEET:2 OF 3	APPD. BY : DBS
------------------------	-----------------	--------------	---------------	--------------	----------------

TERMINAL BLOCK DETAILS



* PARALLEL/DUPLICATE OUTPUT

NOTE

FOR SENSITIVITY SELECTION & INSTALLATION GUIDELINES, REFER USER MANUAL DOC. NO: DP-5.8/MTCP-508/A7.

IMPORTANT:

AGNI CONTROLS RESERVES THE RIGHT TO CHANGE OR MODIFY WITHOUT PREVIOUS NOTICE ANY DATA OR SPECIFICATION DUE TO CHANGES OR MODIFICATION IN ORDER TO IMPROVE THE PRODUCTS / SYSTEM PRESENTED.

AGNI CONTROLS

NO.1, 6TH STREET, Dr.SUBBARAYAN NAGAR,
KODAMBAKKAM, CHENNAI-600 024, INDIA.

PHONE : +91 44 2481 2420,

E-MAIL : engineering@agnicontrols.com WEBSITE : www.balafire.com

**ISO 9001 - 2015
CERTIFIED COMPANY**

fladet[®] SERIES...

DATA SHEET

**FLAME PROOF IR EMBER DETECTOR WITH
AIR PURGING PROVISION**

**PART NO :
IH8153ES**

DWG. NO: DP-5.8/MT-508

DATE: NOV. 2023



REVISION :02

SCALE : N.T.S

SHEET: 3 OF 3

APPD. BY : DBS

TECHNICAL SPECIFICATION FOR PART NO.: IH8153ES

01.	MANUFACTURER	fladet ^{SERIES...} AGNI CONTROLS – CHENNAI	13.	ENCLOSURE	LIMATHERM (SPECIALLY DESIGNED FOR fladet series.. DETECTORS)
02.	SUPPLY	24V DC ± 20%, (RESETTABLE)	14.	MATERIAL	CAST ALUMINIUM LM6
03.	QUIESCENT CURRENT	<40mA	15.	FASTENERS	SS 304
04.	ALARM CURRENT	<120mA	16.	AIR PURGING PROVISION	8mm PNEUMATIC HOSE INLET SUITABLE TO CONNECT TO ONE TOUCH FITTING
05.	RELAY CONTACT RATING	5A AT 30V DC, 1A AT 250V AC	17.	EQUIPMENT RATING	EXPLOSION PROOF FOR CLASS I, DIVISION1, GROUPS A,B,C AND D: AND DUST – IGNITION PROOF FOR CLASS II/III, DIVISION 1, GROUPS E,F & G: HAZARDOUS (CLASIFIED) LOCATIONS, INDOOR/OUTDOOR (NEMA TYPE 4X).
06.	CABLE ENTRY	M25X1.5 – 2 Nos.			1026 Ex II 2G Ex db IIC Gb 1026 Ex II 2D Ex tb IIIC Db
07.	SENSING ELEMENT	INFRA RED	18.	CERTIFICATION FOR ENCLOSURE	 FM APPROVAL FOR ENCLOSURE. XD-IDAC, REPORT NO.3047332  ATEX APPROVAL FOR ENCLOSURE. CERTIFICATE NUMBER: FTZU 04 ATEX 0332U
08.	SPECTRAL FILTER	3000 – 14000 nm			PESO APPROVAL FOR ENCLOSURE. CCEs IDENTIFICATION NUMBER: P505939/1
09.	INDICATION	NORMAL – FLICKERING GREEN LED FIRE – RED LED	19.	APPROVAL / CONFIRMATION / CERTIFICATION	1. CONFIRMING REQUIREMENT NFPA 72E. 2. CONFIRMING REQUIREMENT OF FM STANDARDS. CLASS NO.3260
10.	OPERATING TEMPERATURE	-40°C TO +60°C			
11.	SENSITIVITY SELECTION	4 RANGE OF SELECTIONS VERY HIGH SENSITIVITY – 1 HIGH SENSITIVITY – 2 NORMAL SENSITIVITY – 3 (DEFAULT SETTING) LOW SENSITIVITY – 4			
12.	OUTPUT	IH8153ES 1. ONE SET OF NO-COM-NC CONTACT FOR FIRE PLUS ONE SET OF DUPLICATE NO-COM-NC CONTACT. 2. ONE SET OF NO-COM-NC CONTACT FOR FAULT PLUS ONE SET OF DUPLICATE NO-COM-NC CONTACT. 3. ZONE DETECTOR LINE TO CONNECT DIRECTLY STANDARD CONVENTIONAL FIRE ALARM PANEL.			

INSTALLATION CONSIDERATION :

Detector must be installed such that no obstruction is on the way of sight of the detector. Device is solar blind, not affected by day light. However direct sun rays will affect the performance. External canopy as per site requirement can be used.

MAINTENANCE & INSPECTION:

To assure maximum detector sensitivity, keep the surface of the optical filter free from dirt or other contaminants at all times (External clean air to be connected to the air purging bracket). The unit is ready for detection after 10 sec or second pulse of green LED, whenever input supply is switch ON or reset.

PACKING SIZE : 305(L) x 220(B) x 210(H) (all in mm)

PACKING WEIGHT : 4 kg.Max

IMPORTANT:

AGNI CONTROLS RESERVES THE RIGHT TO CHANGE OR MODIFY WITHOUT PREVIOUS NOTICE ANY DATA OR SPECIFICATION DUE TO CHANGES OR MODIFICATION IN ORDER TO IMPROVE THE PRODUCTS / SYSTEM PRESENTED.

AGNI CONTROLS

**ISO 9001 - 2015
CERTIFIED COMPANY**

NO.1, 6TH STREET, Dr.SUBBARAYAN NAGAR,
KODAMBAKKAM, CHENNAI-600 024, INDIA.
PHONE : +91 44 2481 2420,
E-MAIL : engineering@agnicontrols.com WEBSITE : www.balafire.com