

# fladet<sup>®</sup> SERIES...

## DATA SHEET

### SS PROBE TYPE HEAT DETECTOR WITH EXPLOSION PROOF JUNCTION BOX (110-140)°C

PART: IH042-M-SS-  
\*(110-140)°C-JAX

DOC.NO: DP-5.8/MT-746

DATE: JUNE. 2024

REVISION : 00

SCALE : N.T.S

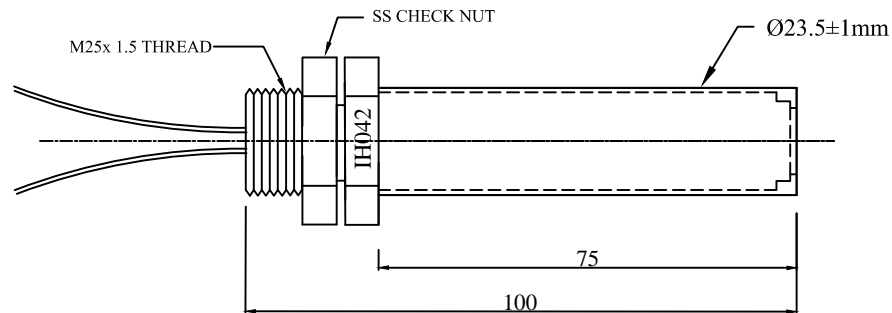
SHEET: 1 OF 2

APPD. BY :DB

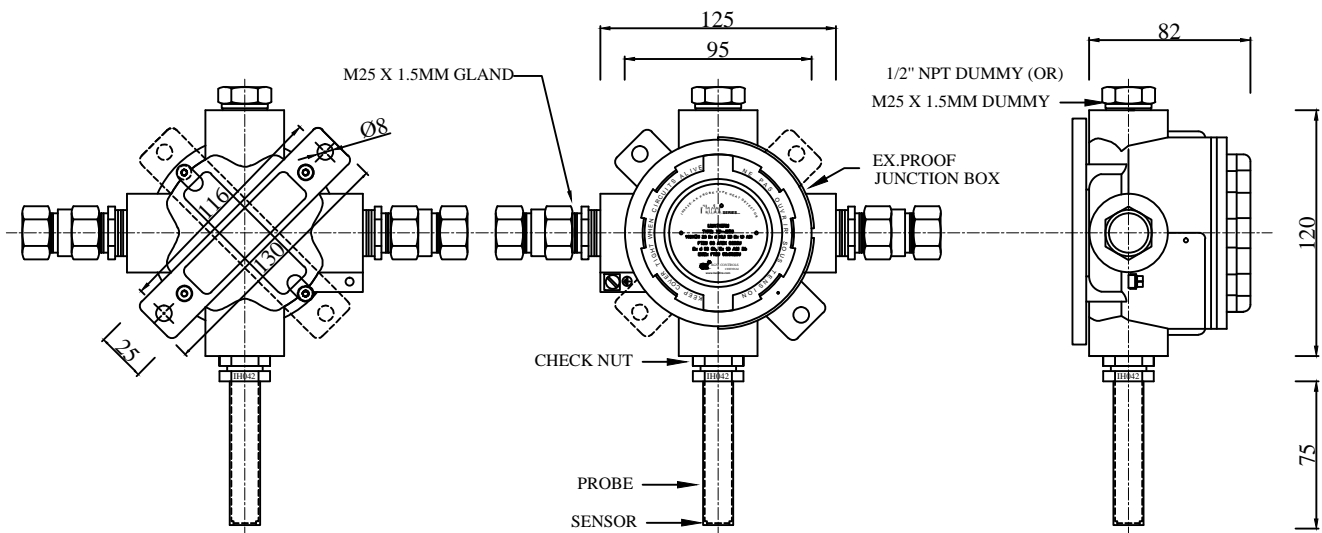
#### INTRODUCTION :-

PROBE TYPE FIXED TEMPERATURE HEAT DETECTOR IS USED IN SPECIAL APPLICATIONS. EXPLOSION PROOF JUNCTION BOX IS USED WHEREVER APPLICABLE.

NOTE A:- THIS DATA SHEET CAN BE ALSO REFERRED AS DOC. NO.:DP-5.8/CP-746



#### FIXING ARRANGEMENT:



**BACK VIEW**

**FRONT VIEW**

**SIDE VIEW**

#### NOTE B:

1. ALL DIMENSIONS ARE IN "mm" UNLESS OTHERWISE SPECIFIED.
2. TOLERANCE ON DIMENSION  $\pm 3$  mm, UNLESS OTHERWISE SPECIFIED.
3. THIS MODEL TO BE USED ONLY FOR OUTDOOR APPLICATIONS.
4. \* : TEMPERATURE SET POINT TO BE CONFIRMED DURING ORDER PLACEMENT

#### IMPORTANT:

AGNI CONTROLS RESERVES THE RIGHT TO CHANGE OR MODIFY WITHOUT PREVIOUS NOTICE ANY DATA OR SPECIFICATION DUE TO CHANGES OR MODIFICATION IN ORDER TO IMPROVE THE PRODUCTS / SYSTEM PRESENTED.

**AGNI CONTROLS**

ISO 9001 - 2015  
CERTIFIED COMPANY

NO.1, 6TH STREET, Dr.SUBBARAYAN NAGAR,  
KODAMBAKKAM, CHENNAI-600 024, INDIA.

PHONE : +91 44 2481 2420,

E-MAIL :engineering@agnicontrols.com WEBSITE : www.balafire.com

# fladet<sup>®</sup> SERIES...

## DATA SHEET

## SS PROBE TYPE HEAT DETECTOR WITH EXPLOSION PROOF JUNCTION BOX (110-140)°C

PART: IH042-M-SS-  
\*(110-140)°C-JAX

DOC.NO: DP-5.8/MT-746

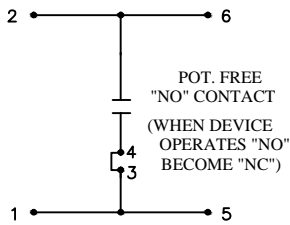
DATE: JUNE. 2024

REVISION : 00

SCALE : N.T.S

SHEET: 2 OF 2

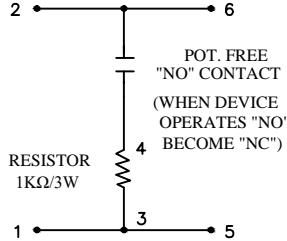
APPD. BY : DB



**TYPE - I**

**EQUIVALENT CIRCUIT**

**FIG. 1**

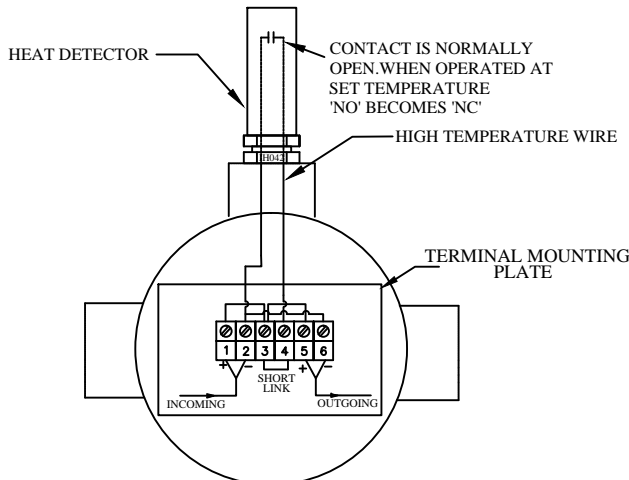


**TYPE - II**

**EQUIVALENT CIRCUIT FOR  
2 WIRE CONVENTIONAL SYSTEM**

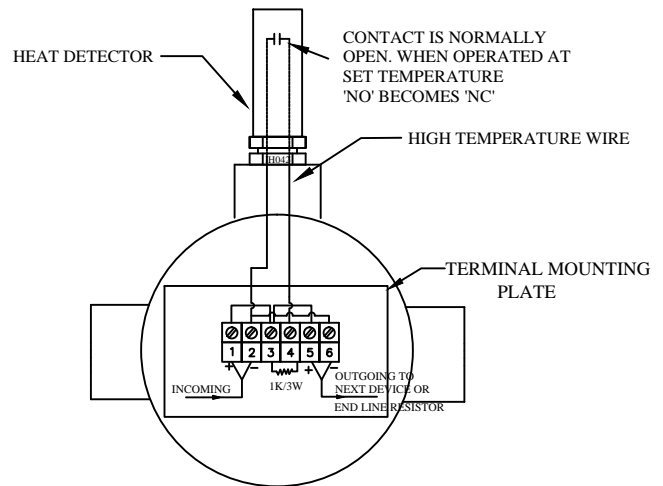
**FIG. 2**

S.NO	PART NO*	DESCRIPTION
01.	IH042-M-SS-110-JAX-NO	110°C, NORMALLY OPEN
02.	IH042-M-SS-120-JAX-NO	120°C, NORMALLY OPEN
03.	IH042-M-SS-130-JAX-NO	130°C, NORMALLY OPEN
04.	IH042-M-SS-140-JAX-NO	140°C, NORMALLY OPEN



**FIG. 3**

**TYPE - I FOR  
ADDRESSABLE FIRE ALARM SYSTEM**



**FIG. 4**

**TYPE - II FOR  
CONVENTIONAL 2 WIRE FIRE ALARM SYSTEM**

**NOTE C:**

- HEAT DETECTOR IS CONNECTED WITH SHORT LINK.
- ONE SHORT LINK AND ONE RESISTOR LINK ARE PROVIDED AS SPARE / ACCESSORIES.
- USE ANY ONE LINK AS PER REQUIREMENT.

### TECHNICAL SPECIFICATION

**HEAT DETECTOR PART NO: IH042-M-SS-\*(110-140)°C-JAX-P1**

**JUNCTION BOX PART NO: IH042-M-SS-\*(110-140)°C-JAX-P2**

01.	MAKE	AGNI CONTROLS	01.	ENCLOSURE MAKE	LIMATHERM EU
02.	TEMPERATURE SETTING	110°/120°/130°/140°C (FIXED TEMPERATURE ANY ONE SETTING ONLY)	02.	ENCLOSURE MODEL NO	XD-JB85
03.	TYPE OF SENSING ELEMENT	BI-METAL FIXED TEMPERATURE AUTO RESET TYPE	03.	AREA CLASSIFICATION	ZONE 1, 2, 21 & 22
04.	PROBE BODY	SS 316	04.	HAZARDOUS AREA PROTECTION DETAILS	⊕ II 2G Ex db IIC Gb ⊕ II 2D Ex tb IIIC Db
05.	TOLERANCE	± 7%	05.	CERTIFICATION FOR ENCLOSURE	⊕ ATEX APPROVAL FOR ENCLOSURE. CERTIFICATION NUMBER: FTZU 05 ATEX 0262U
06.	CURRENT RATING	230V AC - 2A, 110V AC - 5A, 125V DC - 0.5A, 48V DC - 1A, 24V DC - 2A	06.	CABLE ENTRY	M25 X 1.5MM
07.	MATERIAL	MACHINED/CASTING ALUMINIUM PART	07.	TYPE	TO USE HAZARDOUS AREA.
08.	PROTECTION	IP 67 (PROBE ASSEMBLY ONLY)			

**IMPORTANT:**

AGNI CONTROLS RESERVES THE RIGHT TO CHANGE OR MODIFY WITHOUT PREVIOUS NOTICE ANY DATA OR SPECIFICATION DUE TO CHANGES OR MODIFICATION IN ORDER TO IMPROVE THE PRODUCTS / SYSTEM PRESENTED.

**AGNI CONTROLS**

ISO 9001 - 2015  
CERTIFIED COMPANY

NO.1, 6TH STREET, Dr.SUBBARAYAN NAGAR,  
KODAMBAKKAM, CHENNAI-600 024, INDIA.

PHONE : +91 44 2481 2420,

E-MAIL : engineering@agnicontrols.com WEBSITE : www.balafire.com