

fladet[®] SERIES...

DATA SHEET

**PROBE TYPE HEAT DETECTOR
WITH FLAME PROOF JUNCTION BOX (110-140)°C**

**PART NO: IH042-M
-*(110-140)°C-JE**

DOC.NO: DP-5.8/MT-749

DATE: JUNE 2024

REVISION : 00

SCALE : N.T.S

SHEET: 1 OF 2

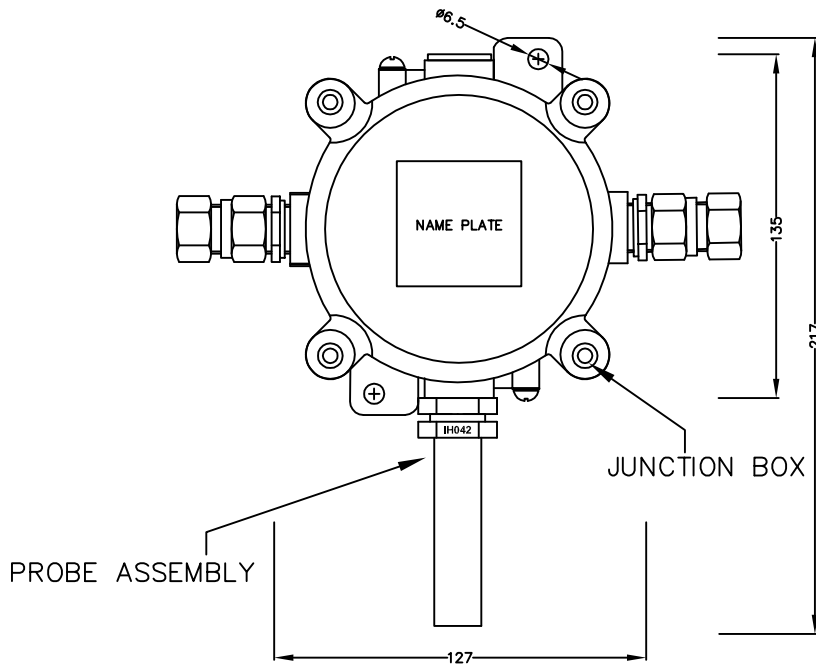
APPD.BY: DB

INTRODUCTION :-

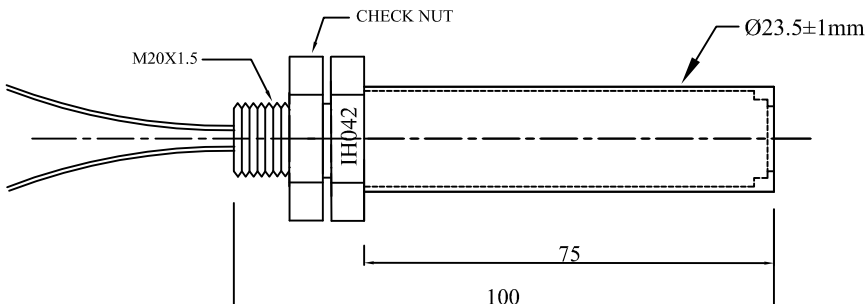
FIXED TEMPERATURE PROBE TYPE HEAT DETECTOR IS USED IN SPECIAL APPLICATIONS WHERE ELECTRONIC TYPE DETECTORS ARE NOT SUITABLE. IH042E SERIES MODEL IS SUITABLE FOR FLAME PROOF ENVIRONMENT AS PER TECHNICAL SPECIFICATIONS.

NOTE A:- THIS DATASHEET CAN BE ALSO REFERRED AS DOC. NO.: DP-5.8/CP-749

S.NO	PART NO**	DESCRIPTION
01.	IH042-M-110-JE-NO	110°C, NORMALLY OPEN
02.	IH042-M-120-JE-NO	120°C, NORMALLY OPEN
03.	IH042-M-130-JE-NO	130°C, NORMALLY OPEN
04.	IH042-M-140-JE-NO	140°C, NORMALLY OPEN



PROBE ASSEMBLY



NOTE B:

1. ALL DIMENSIONS ARE IN "mm" UNLESS OTHERWISE SPECIFIED.
2. TOLERANCE ON DIMENSION ± 3 mm, UNLESS OTHERWISE SPECIFIED.
3. FOR IP & Exd ENVIRONMENT, USE SUITABLE CABLE GLAND AS PER RISK AREA.
4. * : TEMPERATURE SET POINT TO BE CONFIRMED DURING ORDER PLACEMENT.

IMPORTANT:

AGNI CONTROLS RESERVES THE RIGHT TO CHANGE OR MODIFY WITHOUT PREVIOUS NOTICE ANY DATA OR SPECIFICATION DUE TO CHANGES OR MODIFICATION IN ORDER TO IMPROVE THE PRODUCTS / SYSTEM PRESENTED.

AGNI CONTROLS

**ISO 9001 - 2015
CERTIFIED COMPANY**

NO.1, 6TH STREET, Dr.SUBBARAYAN NAGAR,
KODAMBAKKAM, CHENNAI-600 024, INDIA.

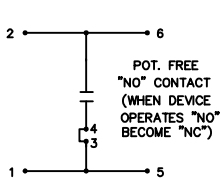
PHONE : +91 44 2481 2420,

E-MAIL : engineering@agnicontrols.com WEBSITE : www.balafire.com

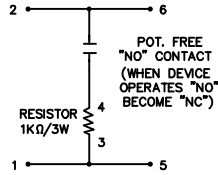
fladet[®] SERIES...

DATA SHEET	PROBE TYPE HEAT DETECTOR WITH FLAME PROOF JUNCTION BOX (110-140)°C	PART NO: IH042-M -*(110-140)°C-JE
-------------------	---	--

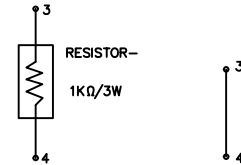
DOC.NO: DP-5.8/MT-749	DATE: JUNE 2024	REVISION : 00	SCALE : N.T.S	SHEET: 2 OF 2	APPD.BY. DB
-----------------------	-----------------	---------------	---------------	---------------	-------------



**TYPE - I
EQUIVALENT CIRCUIT
FIG. 1**



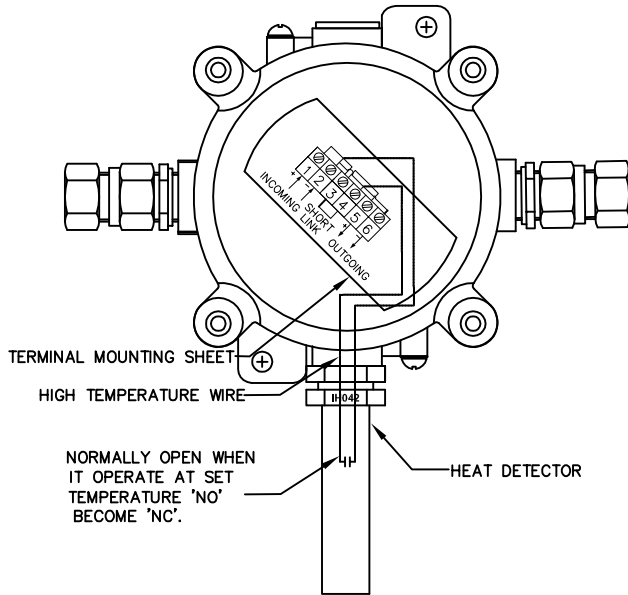
**TYPE - II
EQUIVALENT CIRCUIT FOR
2 WIRE CONVENTIONAL SYSTEM
FIG. 2**



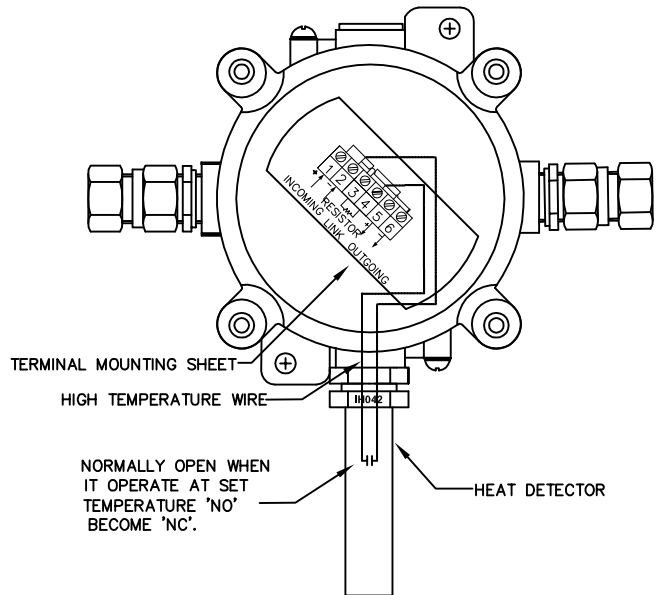
**RESISTOR LINK
FIG. 3**



**SHORT LINK
FIG. 4**



**WIRING WITHOUT RESISTOR
FIG. 5**



**WIRING WITH RESISTOR
FIG. 6**

NOTE C:

1. HEAT DETECTOR IS CONNECTED WITH SHORT LINK.
2. ONE SHORT LINK AND ONE RESISTOR LINK ARE PROVIDED AS SPARE / ACCESSORIES.
3. USE ANY ONE LINK AS PER REQUIREMENT.

TECHNICAL SPECIFICATION

HEAT DETECTOR PART NO: IH042-M-*(110-140)°C-JE-P1			JUNCTION BOX PART NO: IH042-M-*(110-140)°C-JE-P2		
01.	MAKE	AGNI CONTROLS - CHENNAI	01.	ENCLOSURE MAKE	BALIGA
02.	TEMPERATURE SETTING	110°/120°/130°/140°C (FIXED TEMPERATURE ANY ONE SETTING ONLY)	02.	ENCLOSURE MODEL NO	FPJ - 404
03.	TYPE OF SENSING ELEMENT	BI-METAL FIXED TEMPERATURE AUTO RESET TYPE	03.	AREA CLASSIFICATION	ZONE 1 & 2
04.	PROBE BODY	ALUMINIUM	04.	HAZARDOUS AREA PROTECTION DETAILS	Ex db IIB T6 Gb Ex tb IIIC T85°C Db IP65
05.	TOLERANCE	± 7%	05.	CERTIFICATION FOR ENCLOSURE	PESO / CIMFR
06.	CURRENT RATING	230V AC - 2A, 110V AC - 5A, 125V DC - 0.5A, 48V DC - 1A, 24V DC - 2A	06.	CABLE ENTRY	2 Nos. of M20X1.5

IMPORTANT:

AGNI CONTROLS RESERVES THE RIGHT TO CHANGE OR MODIFY WITHOUT PREVIOUS NOTICE ANY DATA OR SPECIFICATION DUE TO CHANGES OR MODIFICATION IN ORDER TO IMPROVE THE PRODUCTS / SYSTEM PRESENTED.



NO.1, 6TH STREET, Dr.SUBBARAYAN NAGAR,
KODAMBAKKAM, CHENNAI-600 024, INDIA.
PHONE : +91 44 2481 2420,
E-MAIL : engineering@agnicontrols.com WEBSITE : www.balafire.com

**ISO 9001 - 2015
CERTIFIED COMPANY**