

fladet[®] SERIES...

DATA SHEET	PROBE TYPE HEAT DETECTOR WITH EXPLOSION PROOF JUNCTION BOX (85-100)°C	PART: IH042-L- *(85-100)°C-JAX			
DOC.NO: DP-5.8/MT-027	DATE: JUNE. 2024	REVISION :13	SCALE : N.T.S	SHEET: 1 OF 2	APPD. BY :DB

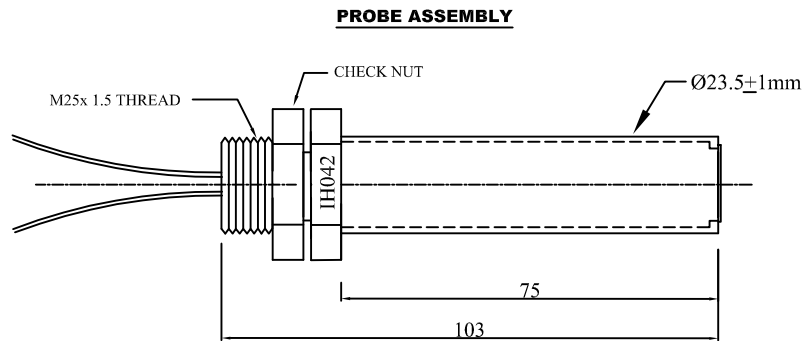
INTRODUCTION :-

PROBE TYPE FIXED TEMPERATURE HEAT DETECTOR IS USED IN SPECIAL APPLICATIONS. EXPLOSION PROOF JUNCTION BOX IS USED WHEREVER APPLICABLE.

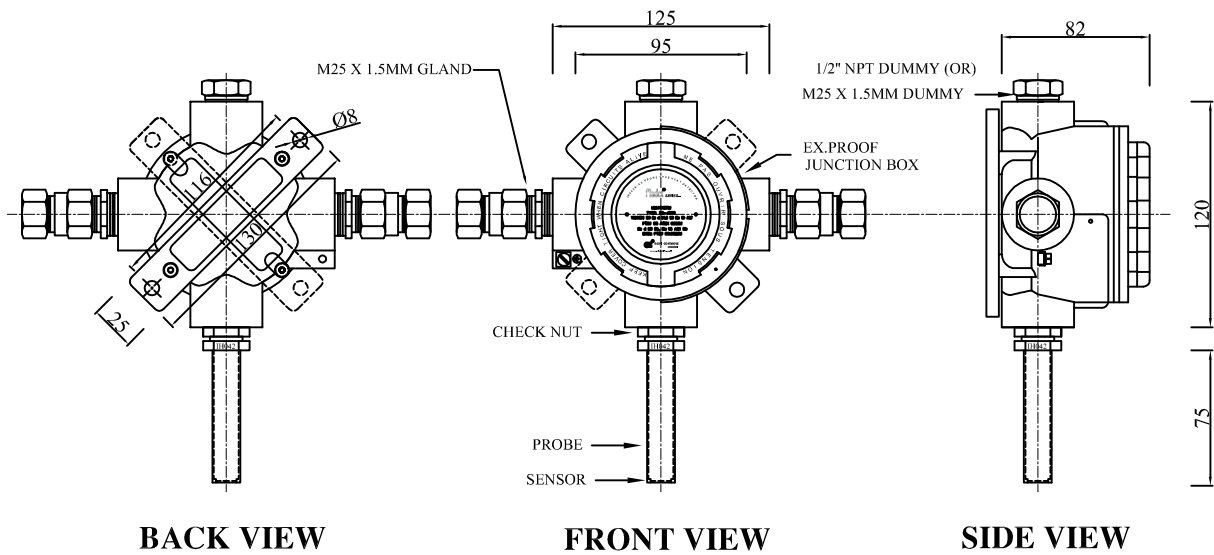
NOTE A:- THIS DATA SHEET CAN BE ALSO REFERRED AS DOC. NO.:DP-5.8/CP-027

REV-12: DATASHEET UPDATED FOR HIGHER TEMPERATURE SETTING

REV-13: TEMPERATURE RANGES UPDATED.



FIXING ARRANGEMENT:



NOTE B:

1. ALL DIMENSIONS ARE IN "mm" UNLESS OTHERWISE SPECIFIED.
2. TOLERANCE ON DIMENSION ± 3 mm, UNLESS OTHERWISE SPECIFIED.
3. THIS MODEL TO BE USED ONLY FOR OUTDOOR APPLICATIONS.
4. * : TEMPERATURE SET POINT TO BE CONFIRMED DURING ORDER PLACEMENT

IMPORTANT:

AGNI CONTROLS RESERVES THE RIGHT TO CHANGE OR MODIFY WITHOUT PREVIOUS NOTICE ANY DATA OR SPECIFICATION DUE TO CHANGES OR MODIFICATION IN ORDER TO IMPROVE THE PRODUCTS / SYSTEM PRESENTED.

AGNI CONTROLS

ISO 9001 - 2015
CERTIFIED COMPANY

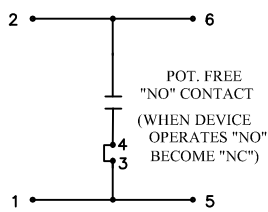
NO.1, 6TH STREET, Dr.SUBBARAYAN NAGAR,
KODAMBAKKAM, CHENNAI-600 024, INDIA.

PHONE : +91 44 2481 2420,

E-MAIL : engineering@agnicontrols.com WEBSITE : www.balafire.com

fladet[®] SERIES...

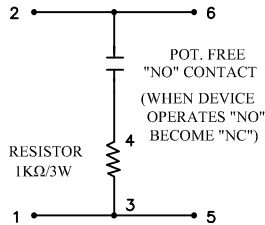
DATA SHEET	PROBE TYPE HEAT DETECTOR WITH EXPLOSION PROOF JUNCTION BOX (85-100)°C	PART: IH042-L- *(85-100)°C-JAX			
DOC.NO: DP-5.8/MT-027	DATE: JUNE. 2024	REVISION : 13	SCALE : N.T.S	SHEET: 2 OF 2	APPD. BY : DB



TYPE - I

EQUIVALENT CIRCUIT

FIG. 1



TYPE - II

**EQUIVALENT CIRCUIT FOR
2 WIRE CONVENTIONAL SYSTEM**

FIG. 2

S.NO	PART NO*	DESCRIPTION
01.	IH042-L- 85°C-JAX-NO	85°C, NORMALLY OPEN
02.	IH042-L- 90°C-JAX-NO	90°C, NORMALLY OPEN
03.	IH042-L- 95°C-JAX-NO	95°C, NORMALLY OPEN
04.	IH042-L- 100°C-JAX-NO	100°C, NORMALLY OPEN

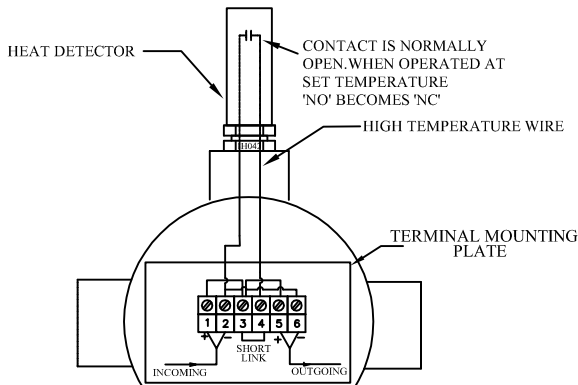


FIG. 3

TYPE - I FOR

ADDRESSABLE FIRE ALARM SYSTEM

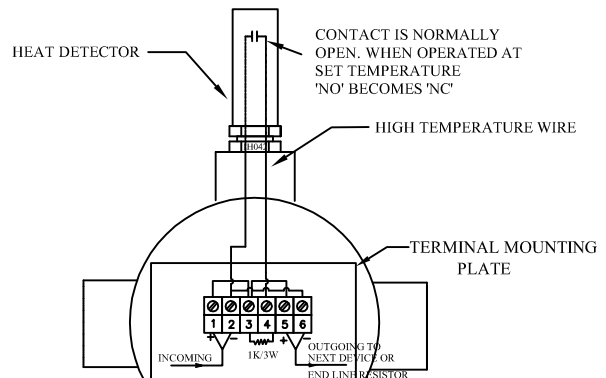


FIG. 4

TYPE - II FOR

CONVENTIONAL 2 WIRE FIRE ALARM SYSTEM

NOTE C:

1. HEAT DETECTOR IS CONNECTED WITH SHORT LINK.
2. ONE SHORT LINK AND ONE RESISTOR LINK ARE PROVIDED AS SPARE / ACCESSORIES.
3. USE ANY ONE LINK AS PER REQUIREMENT.

TECHNICAL SPECIFICATION

HEAT DETECTOR PART NO: IH042-L- *(85-100°C)-JAX-P1			JUNCTION BOX PART NO: IH042-L- *(85-100°C)-JAX-P2		
01.	MAKE	AGNI CONTROLS	01.	ENCLOSURE MAKE	LIMATHERM EU
02.	TEMPERATURE SETTING	85°/90°/95°/100°C (FIXED TEMPERATURE ANY ONE SETTING ONLY)	02.	ENCLOSURE MODEL NO	XD-JB85
03.	TYPE OF SENSING ELEMENT	BI-METAL FIXED TEMPERATURE AUTO RESET TYPE	03.	AREA CLASSIFICATION	ZONE 1, 2, 21 & 22
04.	PROBE BODY	ALUMINIUM	04.	HAZARDOUS AREA PROTECTION DETAILS	Ⓢ II 2G Ex db IIC Gb Ⓢ II 2D Ex tb IIIC Db
05.	TOLERANCE	± 5% UPTO 90°C AND ± 7% FOR HIGHER TEMPERATURES	05.	CERTIFICATION FOR ENCLOSURE	Ⓢ ATEX APPROVAL FOR ENCLOSURE. CERTIFICATION NUMBER: FTZU 05 ATEX 0262U Ⓢ FM APPROVAL FOR ENCLOSURE. ORIGINAL PROJECT ID:3042541.
06.	CURRENT RATING	230V AC - 2A, 110V AC - 5A, 125V DC - 0.5A, 48V DC - 1A, 24V DC - 2A	06.	CABLE ENTRY	M25 X 1.5MM
07.	MATERIAL	MACHINED/CASTING ALUMINIUM PART	07.	TYPE	TO USE HAZARDOUS AREA.
08.	PROTECTION	IP 67 (PROBE ASSEMBLY ONLY)			

IMPORTANT:

AGNI CONTROLS RESERVES THE RIGHT TO CHANGE OR MODIFY WITHOUT PREVIOUS NOTICE ANY DATA OR SPECIFICATION DUE TO CHANGES OR MODIFICATION IN ORDER TO IMPROVE THE PRODUCTS / SYSTEM PRESENTED.



**ISO 9001 - 2015
CERTIFIED COMPANY**

**NO.1, 6TH STREET, Dr.SUBBARAYAN NAGAR,
KODAMBAKKAM, CHENNAI-600 024, INDIA.**

PHONE : +91 44 2481 2420,

E-MAIL : engineering@agnicontrols.com WEBSITE : www.balaffre.com