

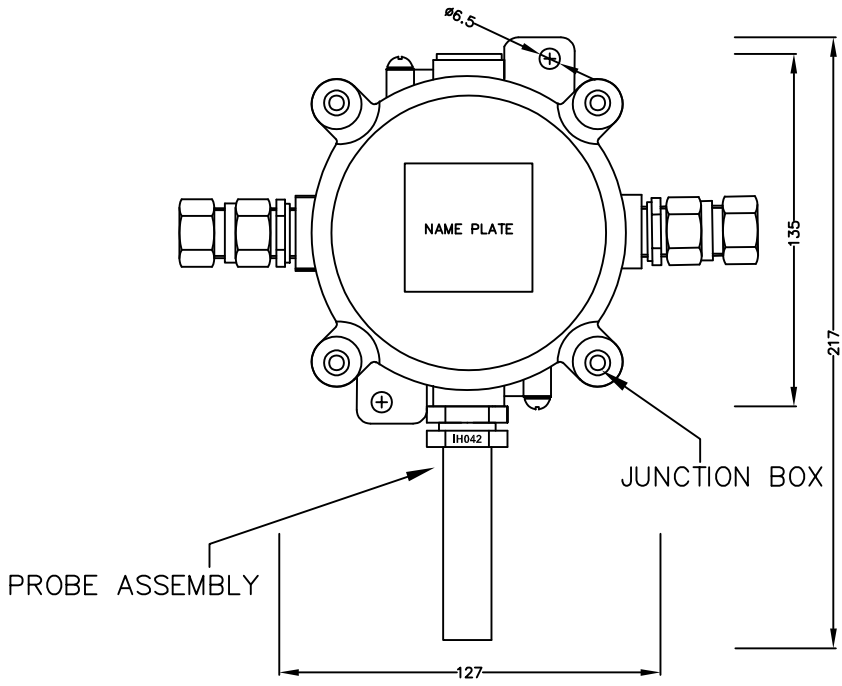
fladet[®] SERIES...

DATA SHEET	SS PROBE TYPE HEAT DETECTOR WITH FLAME PROOF JUNCTION BOX (150-230)°C	PART NO: IH042-H-SS-*(150-230)°C-JE
-------------------	--	--

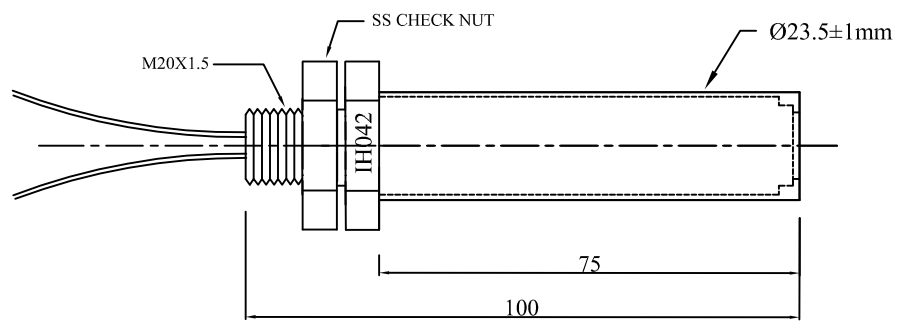
DOC.NO: DP-5.8/MT-753	DATE: JUNE 2024	REVISION : 00	SCALE : N.T.S	SHEET: 1 OF 2	APPD. BY : DB
-----------------------	-----------------	---------------	---------------	---------------	---------------

INTRODUCTION :-
 FIXED TEMPERATURE PROBE TYPE HEAT DETECTOR IS USED IN SPECIAL APPLICATIONS WHERE ELECTRONIC TYPE DETECTORS ARE NOT SUITABLE. IH042E SERIES MODEL IS SUITABLE FOR FLAME PROOF ENVIRONMENT AS PER TECHNICAL SPECIFICATIONS.
NOTE A:- THIS DATASHEET CAN BE ALSO REFERRED AS DOC. NO.: DP-5.8/CP-753

S.NO	PART NO**	DESCRIPTION
01.	IH042-H-SS-150-JE-NO	150°C, NORMALLY OPEN
02.	IH042-H-SS-160-JE-NO	160°C, NORMALLY OPEN
03.	IH042-H-SS-170-JE-NO	170°C, NORMALLY OPEN
04.	IH042-H-SS-180-JE-NO	180°C, NORMALLY OPEN
05.	IH042-H-SS-190-JE-NO	190°C, NORMALLY OPEN
06.	IH042-H-SS-200-JE-NO	200°C, NORMALLY OPEN
07.	IH042-H-SS-210-JE-NO	210°C, NORMALLY OPEN
08.	IH042-H-SS-220-JE-NO	220°C, NORMALLY OPEN
09.	IH042-H-SS-230-JE-NO	230°C, NORMALLY OPEN



PROBE ASSEMBLY



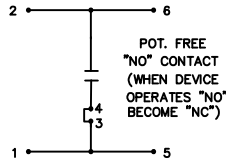
- NOTE B:**
1. ALL DIMENSIONS ARE IN "mm" UNLESS OTHERWISE SPECIFIED.
 2. TOLERANCE ON DIMENSION ± 3 mm, UNLESS OTHERWISE SPECIFIED.
 3. FOR IP & Exd ENVIRONMENT, USE SUITABLE CABLE GLAND AS PER RISK AREA.
 4. * : TEMPERATURE SET POINT TO BE CONFIRMED DURING ORDER PLACEMENT.

<p>IMPORTANT:</p> <p>AGNI CONTROLS RESERVES THE RIGHT TO CHANGE OR MODIFY WITHOUT PREVIOUS NOTICE ANY DATA OR SPECIFICATION DUE TO CHANGES OR MODIFICATION IN ORDER TO IMPROVE THE PRODUCTS / SYSTEM PRESENTED.</p>	<p>AGNI CONTROLS[®]</p> <p>ISO 9001 - 2015 CERTIFIED COMPANY</p> <p>NO.1, 6TH STREET, Dr.SUBBARAYAN NAGAR, KODAMBAKKAM, CHENNAI-600 024, INDIA. PHONE : +91 44 2481 2420, E-MAIL : engineering@agnicontrols.com WEBSITE : www.balafire.com</p>
--	--

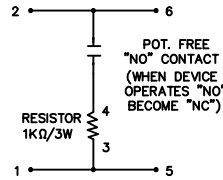
fladet[®] SERIES...

DATA SHEET	SS PROBE TYPE HEAT DETECTOR WITH FLAME PROOF JUNCTION BOX (150-230)°C	PART NO: IH042-H-SS-*(150-230)°C-JE
-------------------	--	--

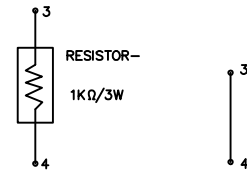
DOC.NO: DP-5.8/MT-753	DATE: JUNE 2024	REVISION : 00	SCALE : N.T.S	SHEET: 2 OF 2	APPD. BY : DB
-----------------------	-----------------	---------------	---------------	---------------	---------------



**TYPE - I
EQUIVALENT CIRCUIT
FIG. 1**



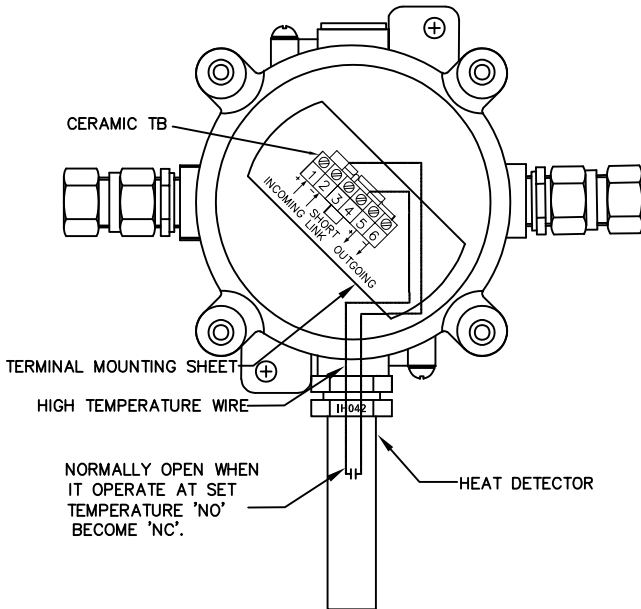
**TYPE - II
EQUIVALENT CIRCUIT FOR
2 WIRE CONVENTIONAL SYSTEM
FIG. 2**



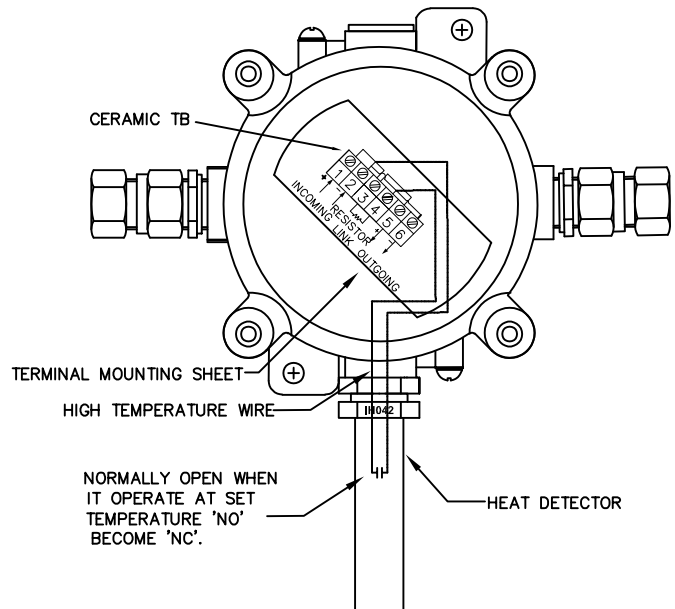
**RESISTOR LINK
FIG. 3**



**SHORT LINK
FIG. 4**



**WIRING WITHOUT RESISTOR
FIG. 5**



**WIRING WITH RESISTOR
FIG. 6**

NOTE C:

1. HEAT DETECTOR IS CONNECTED WITH SHORT LINK.
2. ONE SHORT LINK AND ONE RESISTOR LINK ARE PROVIDED AS SPARE / ACCESSORIES.
3. USE ANY ONE LINK AS PER REQUIREMENT.

TECHNICAL SPECIFICATION

HEAT DETECTOR PART NO: IH042-H-SS-*(150-230)°C-JE-P1		JUNCTION BOX PART NO: IH042-H-SS-*(150-230)°C-JE-P2	
01.	MAKE	AGNI CONTROLS	BALIGA
02.	TEMPERATURE SETTING	150°/160°/170°/180°/190°/200°/210° 220°/230°C (FIXED TEMPERATURE ANY ONE SETTING ONLY)	FPJ - 404
03.	TYPE OF SENSING ELEMENT	BI-METAL FIXED TEMPERATURE AUTO RESET TYPE	ZONE 1 & 2
04.	PROBE BODY	SS 316	Ex db IIB T6 Gb Ex tb IIIC T85°C Db IP65
05.	TOLERANCE	±7%	PESO / CIMFR
06.	CURRENT RATING	230V AC - 2A, 110V AC - 5A, 125V DC - 0.5A, 48V DC - 1A, 24V DC - 2A	2 Nos. of M20X1.5

IMPORTANT:

AGNI CONTROLS RESERVES THE RIGHT TO CHANGE OR MODIFY WITHOUT PREVIOUS NOTICE ANY DATA OR SPECIFICATION DUE TO CHANGES OR MODIFICATION IN ORDER TO IMPROVE THE PRODUCTS / SYSTEM PRESENTED.



NO.1, 6TH STREET, Dr.SUBBARAYAN NAGAR,
KODAMBAKKAM, CHENNAI-600 024, INDIA.

PHONE : +91 44 2481 2420,

E-MAIL : engineering@agnicontrols.com WEBSITE : www.balafire.com

**ISO 9001 - 2015
CERTIFIED COMPANY**