

**DATA SHEET**

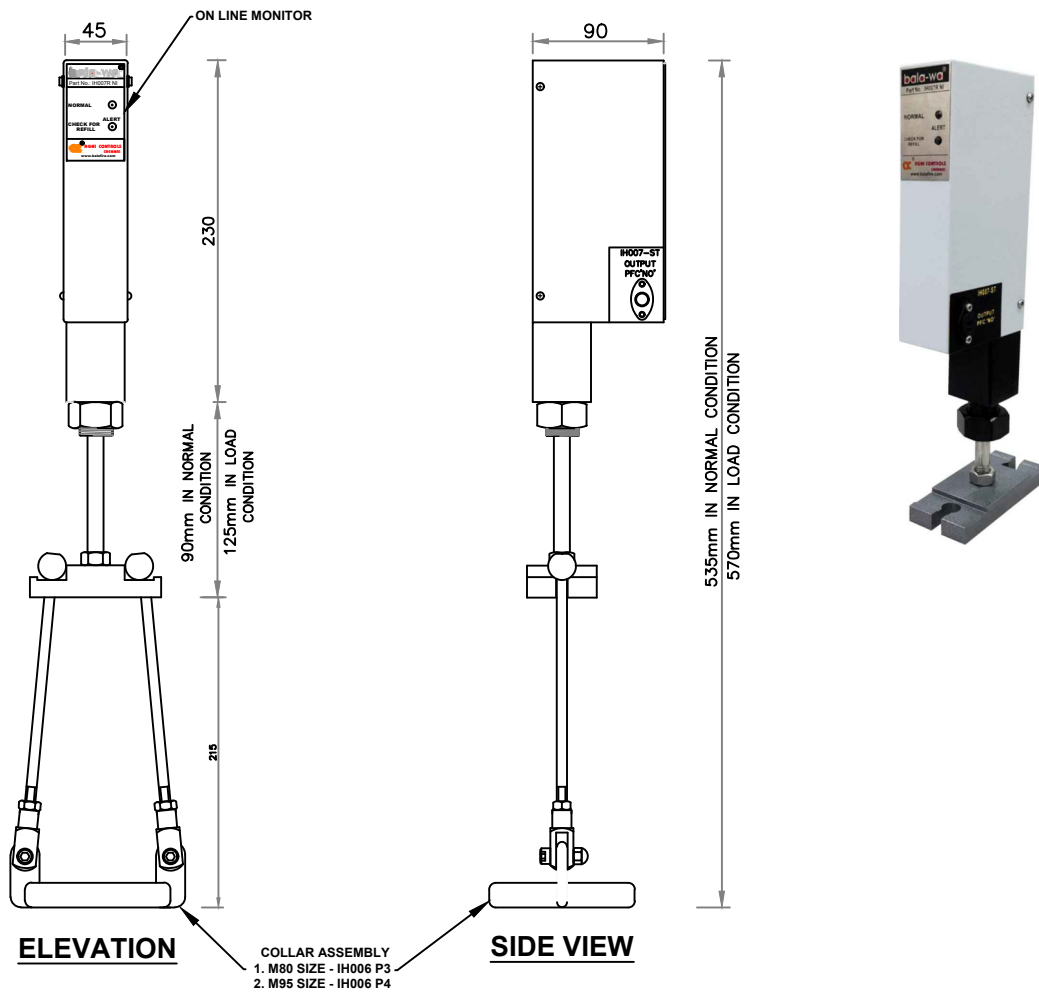
**ON LINE MONITOR ANALOG TYPE  
WITH NORMAL INDICATION (Stand Alone)**

PART NO :  
IH007-ST

DOC.NO.:DP-5.8/MT-552      DATE : SEP.2020      REVISION : 00      SCALE : N.T.S      SHEET : 1 OF 3      APPD. BY :D.B

INTRODUCTION :-

ONLINE MONITOR IS USED IN GAS BASED FIRE EXTINGUISHING SYSTEM LIKE CO2 TO PROVIDE ALERT INDICATION TO CHECK REFILL AS PER BUREAU OF INDIAN STANDARDS REQUIREMENT. NORMAL CONDITION WILL BE INDICATED BY GREEN LED (FLASHING). ALERT WILL BE INDICATED BY YELLOW LED. IH007-ST ONLINE MONITOR ALALOG TYPE IS STAND ALONE MODEL. THIS IS SPECIALLY DESIGNED TO USE MONITOR ONE CYLINDER ONLY. INPUT WILL BE 24V DC AND OUTPUT WILL BE POTENTIAL FREE 'NO' CONTACT. NOTE: THIS DEVICE IS NOT WEIGHING UNIT. THIS UNIT WILL ONLY PROVIDE ALERT INDICATION TO CHECK THE CYLINDER AND DO REFILL AS PER REQUIREMENT.



- NOTE :**
1. ALL DIMENSIONS ARE IN "mm" UNLESS OTHERWISE SPECIFIED.
  2. TOLERANCE ON DIMENSION ± 5 mm, UNLESS OTHERWISE SPECIFIED.

**TECHNICAL SPECIFICATION**

01. MAKE	AGNI CONTROLS - CHENNAI	06. OVERALL DIMENSION WITHOUT COLLAR	325LX50WX130D
02. INDICATION	NORMAL - GREEN LED(FLASHING) ALERT - YELLOW LED	07. COLLAR ASSEMBLY	1. M80 SIZE - IH006R P3 2. M95 SIZE - IH006R P4
03. INPUT SUPPLY	24V DC	7.1 COLLAR MATERIAL	ALUMINIUM
04. QUIESCENT CURRENT	300µA MAX.	7.2 HANGER ROD MATERIAL	SS 304
05. ALARM CURRENT MAX	35mA AT 24V DC		

IMPORTANT:

AGNI CONTROLS RESERVES THE RIGHT TO CHANGE OR MODIFY WITHOUT PREVIOUS NOTICE ANY DATA OR SPECIFICATION DUE TO CHANGES OR MODIFICATION IN ORDER TO IMPROVE THE PRODUCTS / SYSTEM PRESENTED.



NO.1, 6TH STREET, Dr.SUBBARAYAN NAGAR,  
KODAMBAKKAM, CHENNAI-600 024, INDIA.  
PHONE : +91 44 2481 2420  
E-MAIL : engineering@agnicontrols.com WEBSITE : www.balafire.com

**ISO 9001 - 2015  
BUREAU VERITAS  
CERTIFICATION**

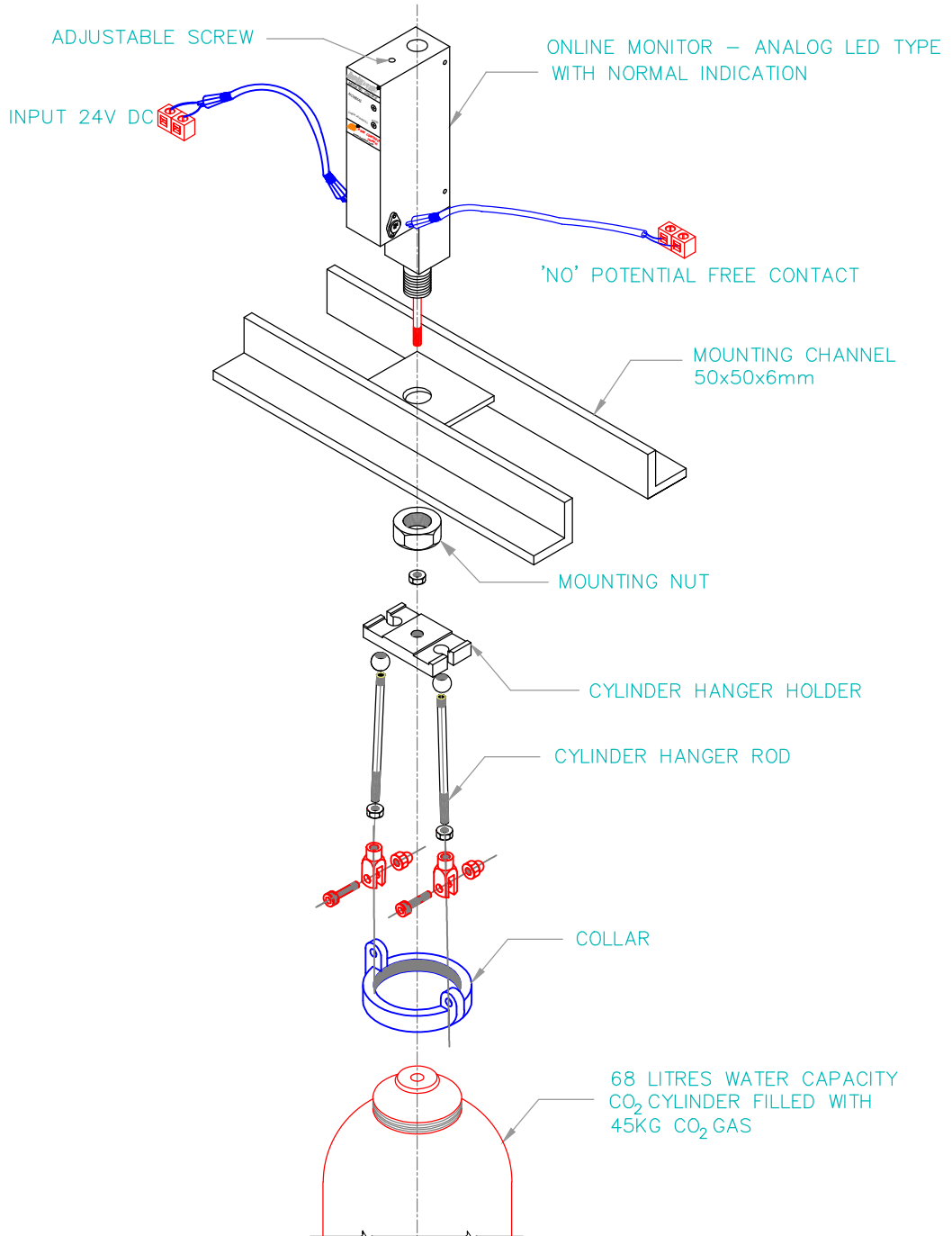


FIGURE-1.

**IMPORTANT:**

AGNI CONTROLS RESERVES THE RIGHT TO CHANGE OR MODIFY WITHOUT PREVIOUS NOTICE ANY DATA OR SPECIFICATION DUE TO CHANGES OR MODIFICATION IN ORDER TO IMPROVE THE PRODUCTS / SYSTEM PRESENTED.



NO.1, 6TH STREET, Dr.SUBBARAYAN NAGAR,  
KODAMBAKKAM, CHENNAI-600 024, INDIA.

PHONE : +91 44 2481 2420

E-MAIL : [engineering@agnicontrols.com](mailto:engineering@agnicontrols.com) WEBSITE : [www.balafire.com](http://www.balafire.com)

**ISO 9001 - 2015  
BUREAU VERITAS  
CERTIFICATION**

<b>DATA SHEET</b>	<b>ON LINE MONITOR ANALOG TYPE WITH NORMAL INDICATION (Stand Alone)</b>			PART NO : IH007-ST
	DOC.NO.:DP-5.8/MT-552	DATE : SEP.2020	REVISION : 00	SCALE : N.T.S SHEET : 3 OF 3

<b>ADDITIONAL INFORMATION TO SELECT MODEL NO.</b>		
SL.NO	PART NO	DESCRIPTION
01	IH007R NI	ON LINE MONITOR - ANALOG TYPE WITH NORMAL INDICATION
02	IH006R P3	COLLAR ASSEMBLY-Ø80mm WITH 190mm LENGTH HANGING ROD
03	IH006R P3 WOR	COLLAR ASSEMBLY-Ø80mm WITHOUT HANGING ROD
04	IH006R P3/SP	SPLIT COLLAR ASSEMBLY-Ø80mm WITH 190mm LENGTH HANGING ROD
05	IH006R P3/SP WOR	SPLIT COLLAR ASSEMBLY-Ø80mm WITHOUT HANGING ROD
06	IH006R P4	COLLAR ASSEMBLY-Ø95mm WITH 190mm LENGTH HANGING ROD
07	IH006R P4 WOR	COLLAR ASSEMBLY-Ø95mm WITHOUT HANGING ROD
08	IH006R P4/SP	SPLIT COLLAR ASSEMBLY-Ø95mm WITH 190mm LENGTH HANGING ROD
09	IH006R P4/SP WOR	SPLIT COLLAR ASSEMBLY-Ø95mm WITHOUT HANGING ROD
10	IH006R P6 WOR	M.S FLANGE TYPE COLLAR-Ø95mm WITHOUT HANGER ROD
11	IH006R P6/SP WOR	M.S SPLIT FLANGE TYPE COLLAR-Ø95mm WITHOUT HANGER ROD
12	IH006R P6	M.S FLANGE TYPE LARGER DIA COLLAR - Ø95mm
13	IH006R P7 WOR	M.S FLANGE TYPE COLLAR - Ø80mm WITHOUT HANGING ROD
14	IH006R P7/SP WOR	M.S SPLIT FLANGE TYPE COLLAR - Ø80mm WITHOUT HANGING ROD
15	IH006R P7	M.S FLANGE TYPE LARGER DIA COLLAR - Ø80mm
16	IH006R P3 HROD*	1 PAIR HANGER ROD (* -190,270,325)
16.1	IH006R P3 HROD-190	1 PAIR HANGER ROD -190
16.2	IH006R P3 HROD-270	1 PAIR HANGER ROD 270
16.3	IH006R P3 HROD-325	1 PAIR HANGER ROD 325
17	IH006R P3 HROD-CS *	1 PAIR HANGER ROD - CS * mm LENGTH (CUSTOMER SPECIFICATION)*
18	IH006R P3-FG HROD*	1 PAIR HANGER ROD SUITABLE FOR FLANGE TYPE COLLAR (* - 190,270,325)
18.1	IH006R P3 -FG HROD-190	1 PAIR HANGER ROD SUITABLE FOR FLANGE TYPE COLLAR - 190
18.2	IH006R P3 -FG HROD-270	1 PAIR HANGER ROD SUITABLE FOR FLANGE TYPE COLLAR - 270
18.3	IH006R P3-FG HROD-325	1 PAIR HANGER ROD SUITABLE FOR FLANGE TYPE COLLAR - 325
19	IH006R P3-FG HROD-CS *	1 PAIR HANGER ROD SUITABLE FOR FLANGE TYPE COLLAR CS - *mm LENGTH
20	IH006 P5-1-CC/400	CONNECTING CABLE TO CONNECT TO NEXT ONLINE MONITOR (400 mm)
21	IH006 P5-1-5000	CONNECTING PLUG TO ONLINE MONITOR CONTROL PANEL (5000 mm)

**IMPORTANT:**

AGNI CONTROLS RESERVES THE RIGHT TO CHANGE OR MODIFY WITHOUT PREVIOUS NOTICE ANY DATA OR SPECIFICATION DUE TO CHANGES OR MODIFICATION IN ORDER TO IMPROVE THE PRODUCTS / SYSTEM PRESENTED.



NO.1, 6TH STREET, Dr.SUBBARAYAN NAGAR,  
KODAMBAKKAM, CHENNAI-600 024, INDIA.

PHONE : +91 44 2481 2420

E-MAIL : engineering@agnicontrols.com WEBSITE : www.balafire.com

ISO 9001 - 2015  
BUREAU VERITAS  
CERTIFICATION