

INTRODUCTION:

fladet series.. IH-166 is Ultra Violet Flame Detector. The detector makes use of Ultra Violet sensitive photocathode for detection of flame. It has a narrow spectral sensitivity of 185 to 260 nm, being completely insensitive to visible light.

The UV Flame Detector has wide angular sensitivity(directivity) and can reliably and quickly detect weak Ultra Violet radiations emitted from flame. The detector can detect the flame of a cigarette lighter at the distance of 5mtrs.

Detectors works on 2 wire system can be connected to any standard conventional Fire Alarm Panel in any zone separately or along with other Smoke and Heat Detectors. In built RED LED is also provided for visible indication in case of actuation.

APPLICATIONS:

UV Flame Detectors are very effective for the following application as per Standard NFPA-72E, IS2189

- Indoor Application - High Ceiling areas
- Clean Room
- Indoor Ware-House
- Control Room
- Environment that are unsuitable for other type of detectors



IH 166 UV FLAME DETECTOR

ADVANTAGES:

- Rugged model suitable to use in any type of indoor and semiconductor application.
- Easy to Install, operate and maintain
- High speed Response
- Visual Indication for Alarm condition
- Readily used along with other types of detectors for early warning.

DETECTOR SENSITIVITY:

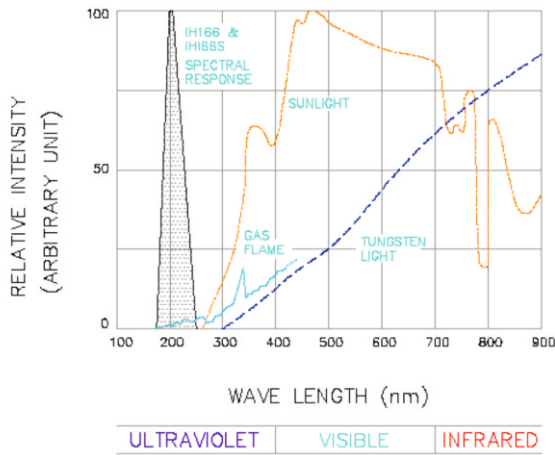
The response time of the detector depends on the size of the fire, fuel type, and the distance from the detector to the fire. Smaller fires and greater distances normally require greater response times. The detector can sense a flame of cigarette lighter at the distance of 5 meters. It can detect a fire of 1 Sq.ft. at 30 meters.

INDOOR WARE-HOUSE

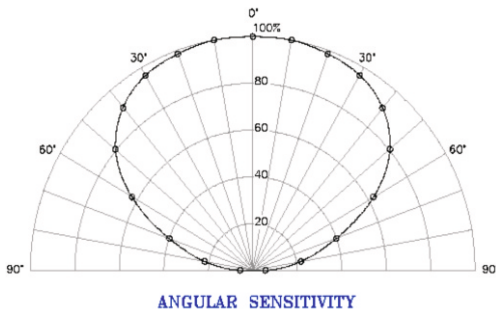
CONTROL ROOMS

CLEAN ROOMS

HIGH CEILING AREAS
-INDOOR APPLICATION



IH-166 - SPECTRAL RESPONSE AND VARIOUS LIGHT SOURCES



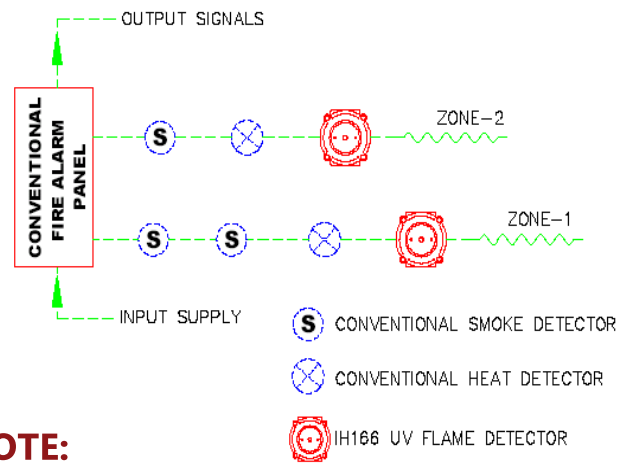
TECHNICAL SPECIFICATION - PART NO : IH166

01. BRAND NAME	fladet series..
02. MANUFACTURER	AGNI CONTROLS, CHENNAI
03. QUIESCENT CURRENT	LESS THAN 100 µA
04. ALARM CURRENT	60mA MAXIMUM
05. RELAY CONTACT RATING	1A at 24VDC, 0.5A AT 120V AC
06. CABLE ENTRY	3/4" ET / M20x1.5 - 3 Nos.
07. SENSING ELEMENT	UV
08. RANGE	185-260nm
09. INDICATION	FIRE - RED LED
10. OPERATING TEMPERATURE	0 Deg.C to +60Deg.C
11. SUPPLY	2 WIRE SYSTEM, DETECTOR LINE 15V TO 26V DC
12. FINISHING	Enclosure - Hammer Tone Gray
13. MATERIAL	CAST ALUMINIUM LM6
14. FASTENERS	SS 304
15. OUTPUT	1. ONE SET OF 'NO-COM-NC' CONTACT FOR FIRE 2. Response LED Indicator. connect one 3mm / 5mm LED. (NO EXTERNAL RESISTOR IS REQUIRED)
16. APPLICATION	INDOOR / SEMI OUTDOOR
17. APPROVAL/ CONFIRMATION/ CERTIFICATION	1. CONFIRMING REQUIREMENT OF NFPA 72E 2. CONFIRMING REQUIREMENT OF IS-2189 3. CONFIRMING REQUIREMENT OF FM STANDARDS CLASS NO. 3260

Important :
This document is not intended to be used for installation purposes. Specifications are subject to change without prior notice.

DOC.NO: I-MK-3.6-013, REV-01

REVISED AS ON SEP 2022



NOTE:

1. Fladet IH-166 UV Flame Detector can be connected directly to any Standard Conventional Fire Alarm Panel along with other Smoke or Heat Detector.
2. Use Addressable zone module when fladet IH-166 UV Flame Detector is used in Addressable Fire Alarm Panel.
3. It is recommended to use Separate Zone or Addressable zone module to connect UV Flame Detector for quick identification.

MAINTENANCE & INSPECTION:

To assure maximum detector sensitivity, keep the surface of the sensor tube free from dirt or other contaminants at all times. Periodically test the sensitivity of the detector using a controlled flame or lighter flame / UV Lamp.

INSTALLATION & COMMISSIONING:

Fladet IH-166 must be installed such that no obstruction is on the way of sight of the detector. Existence of UV radiations sources like halogen lamps, direct sunlight, mercury lamps and welding arcs may affect the performance of the detector. For application in the above environment, ask for manufacturer guidance.

ORDERING INFO:

Part No : fladet IH-166 : UV Flame Detector 2 wire System.

AVAILABLE MODEL: IH 166

ACCESSORIES:

1.Swivel Mounting Base - IH-MB-01 XY

Packing Size : 300 (L) X 250 (B) X 165 (H) (all in mm)

Packing Weight: 3.0 Kg. Max.



M/s. Agni Controls

No :1, 6th street, Dr.Subbarayan Nagar, Kodambakkam, Chennai - 600024, India
 PH : +91-44-32518235
 Mob: 74489 14999
 Website : www.balafire.com
 E-mail : marketing@agnicontrols.com

