

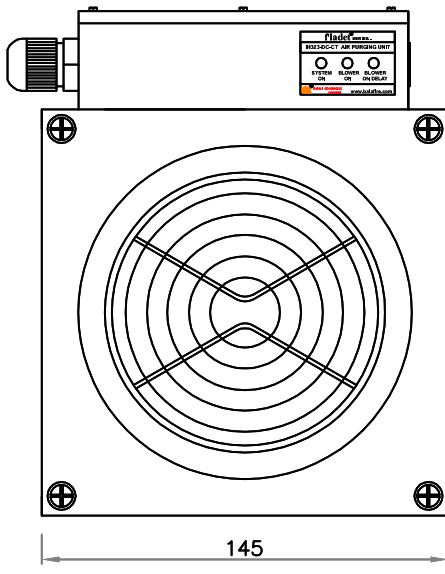
fladet[®] SERIES...

DATA SHEET	AIR PURGING UNIT WITH SEQUENTIAL TIMER	PART NO : IH323 DC CT
-------------------	---	--------------------------

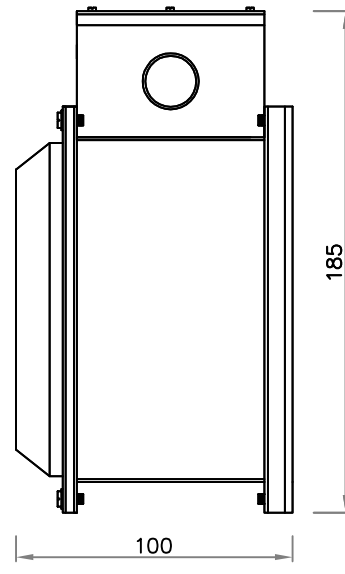
FIRST ISSUE DOC.NO.:DP-5.8/MT-303	DATE:10th SEP.2013	REV:00	SCALE:N.T.S	SHEET:1 OF 2	APPD. BY:D.B
LATEST ISSUE DOC.NO.:DP-5.8/MT-303	DATE:13th.AUG.2020	REV:02			

INTRODUCTION :-

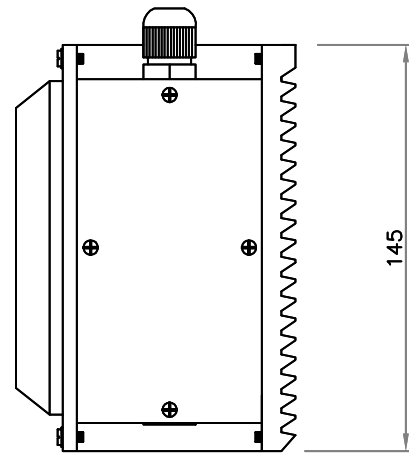
AIR BLOWER IS USED FOR AIR PURGING APPLICATION TO EMBER DETECTOR. THE UNIT WORKS ON 24V DC
NOTE: THIS DATASHEET CAN BE ALSO REFERRED AS DOC.NO: DP-5.8/CP-303



FRONT VIEW



SIDE VIEW



TOP VIEW

NOTE:

1. ALL DIMENSIONS ARE IN "mm" UNLESS OTHERWISE SPECIFIED.
2. TOLERANCE ON DIMENSION ± 3 mm, UNLESS OTHERWISE SPECIFIED.
3. TO BE FIXED PERMANENTLY.
4. TO BE PROTECTED FROM RAIN AND WIND.
5. FILTER IS TO BE CLEANED PERIODICALLY AS PER SITE REQUIREMENT.

TECHNICAL SPECIFICATION

<p>01. MANUFACTURER 02. CONSTRUCTION (ENCLOSURE) 03. PAINT SHADE 04. OVER ALL DIMENSION 05. AIR PRESSURE 06. AIR FLOW 07. VOLTAGE 08. CURRENT</p>	<p>AGNI CONTROLS – CHENNAI 1mm CR SHEET L GREY 145(L) X 100(W) X 185(H) 6.8 mm H2O $\pm 5\%$ 98 CFM $\pm 5\%$ 24V DC $\pm 15\%$ 350mA MAX. AT 24V DC</p>	<p>09. OPERATION</p>	<p>SELECTIONS : 1. CONTINUOUS ON 2. SEQUENTIAL ON</p> <p>SEQUENTIAL OPERATION : ON TIME – 1 MIN. TOLERANCE ± 10 SEC. OFF TIME – 60 MIN. TOLERANCE ± 8 MIN.</p>
---	---	----------------------	--

IMPORTANT:

AGNI CONTROLS RESERVES THE RIGHT TO CHANGE OR MODIFY WITHOUT PREVIOUS NOTICE ANY DATA OR SPECIFICATION DUE TO CHANGES OR MODIFICATION IN ORDER TO IMPROVE THE PRODUCTS/SYSTEM PRESENTED.



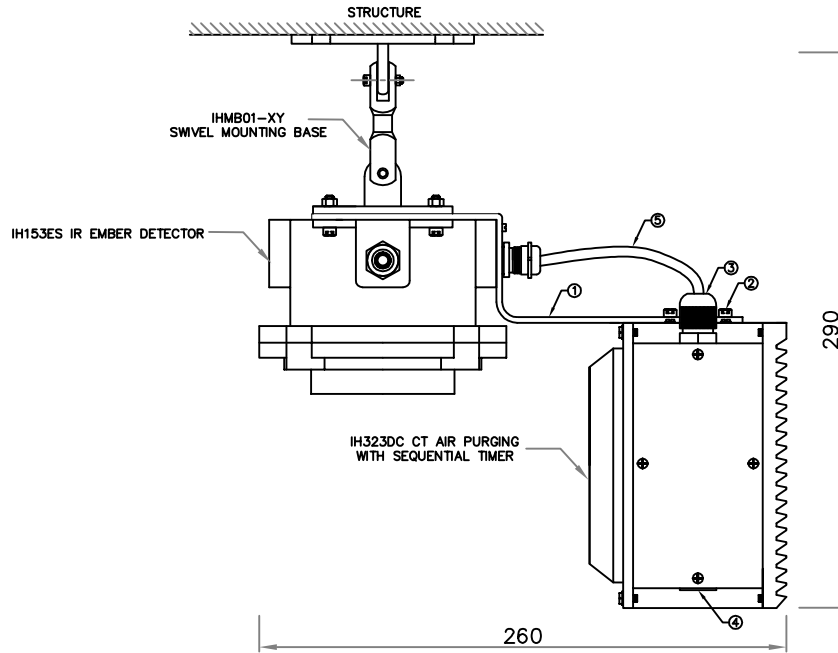
NO.1, 6TH STREET, Dr.SUBBARAYAN NAGAR,
KODAMBAKKAM, CHENNAI-600 024, INDIA.
PHONE : +91 44 2481 2420
E-MAIL : engineering@agnicontrols.com WEBSITE : www.balofire.com

**ISO 9001 - 2015
CERTIFIED COMPANY**

fladet[®] SERIES...

DATA SHEET	AIR PURGING UNIT WITH SEQUENTIAL TIMER	PART NO : IH323 DC CT
FIRST ISSUE DOC.NO.:DP-5.8/MT-303	DATE:10th SEP.2013	REV:00
LATEST ISSUE DOC.NO.:DP-5.8/MT-303	DATE:13th.AUG.2020	REV:02
SCALE:N.T.S		SHEET: 2 OF 2
APPD. BY:D.B		

RECOMMENDED MOUNTING ARRANGEMENTS OF DETECTOR & AIR PURGING UNIT



LIST OF ACCESSORIES

SI.NO:	CODE NO	DESCRIPTION	QUANTITY
01.	M26 001	'L' BRACKET	1 NO.
02.	EMS05 017	M6 X 12mm ALIGN KEY SCREW	2 NOS.
03.	ES04 036	PVC GLAND PG-11	1 NO.
04.	EM04 017	GROMMET (3/4")	1 NO.
05.	IH323 DC CT P2-1-420	CONNECTING CABLE 420mm (LENGTH)	1 NO.
06.	ES04 041	DUMMY PLUG	1 NO.

IMPORTANT:

AGNI CONTROLS RESERVES THE RIGHT TO CHANGE OR MODIFY WITHOUT PREVIOUS NOTICE ANY DATA OR SPECIFICATION DUE TO CHANGES OR MODIFICATION IN ORDER TO IMPROVE THE PRODUCTS/SYSTEM PRESENTED.



AGNI CONTROLS CHENNAI
 NO.1, 6TH STREET, Dr.SUBBARAYAN NAGAR,
 KODAMBAKKAM, CHENNAI-600 024, INDIA.
 PHONE : +91 44 2481 2420
 E-MAIL : engineering@agnicontrols.com WEBSITE : www.balafire.com

**ISO 9001 - 2015
 CERTIFIED COMPANY**