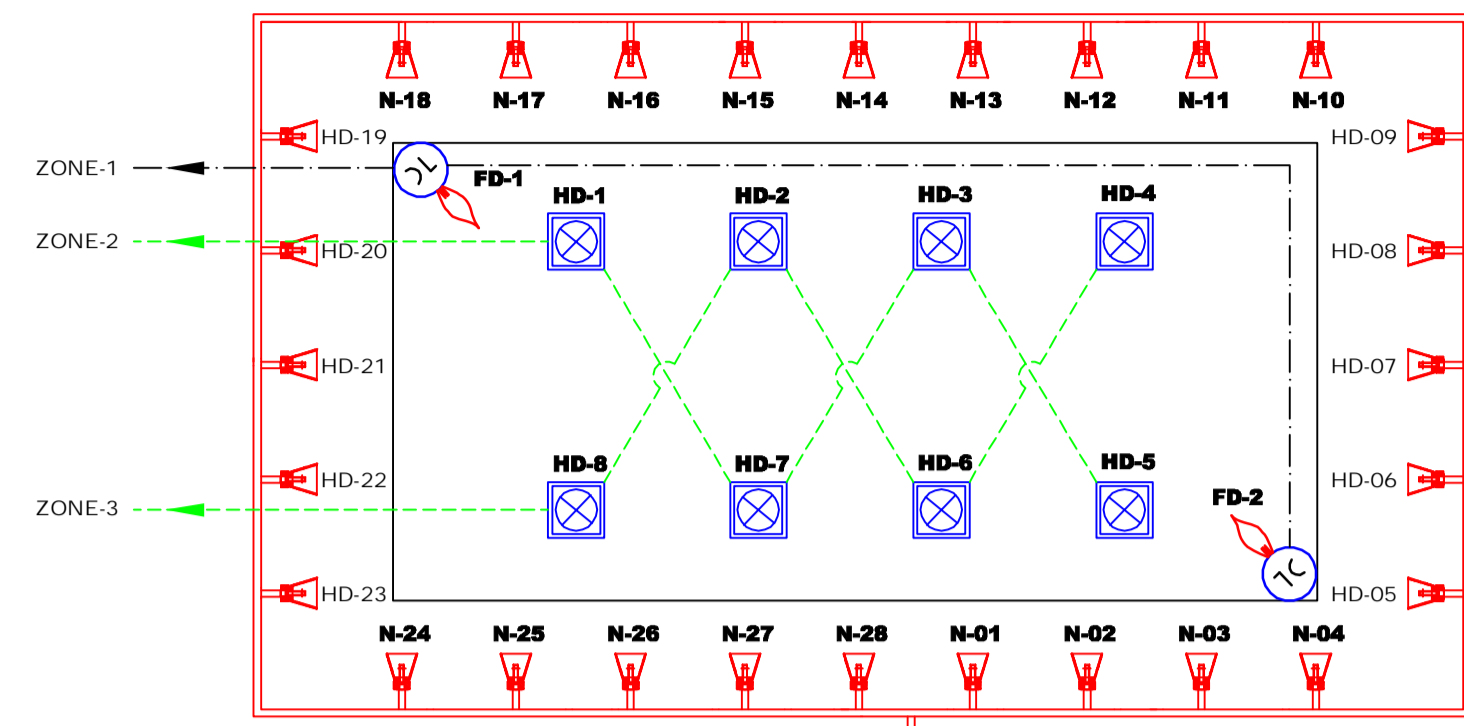
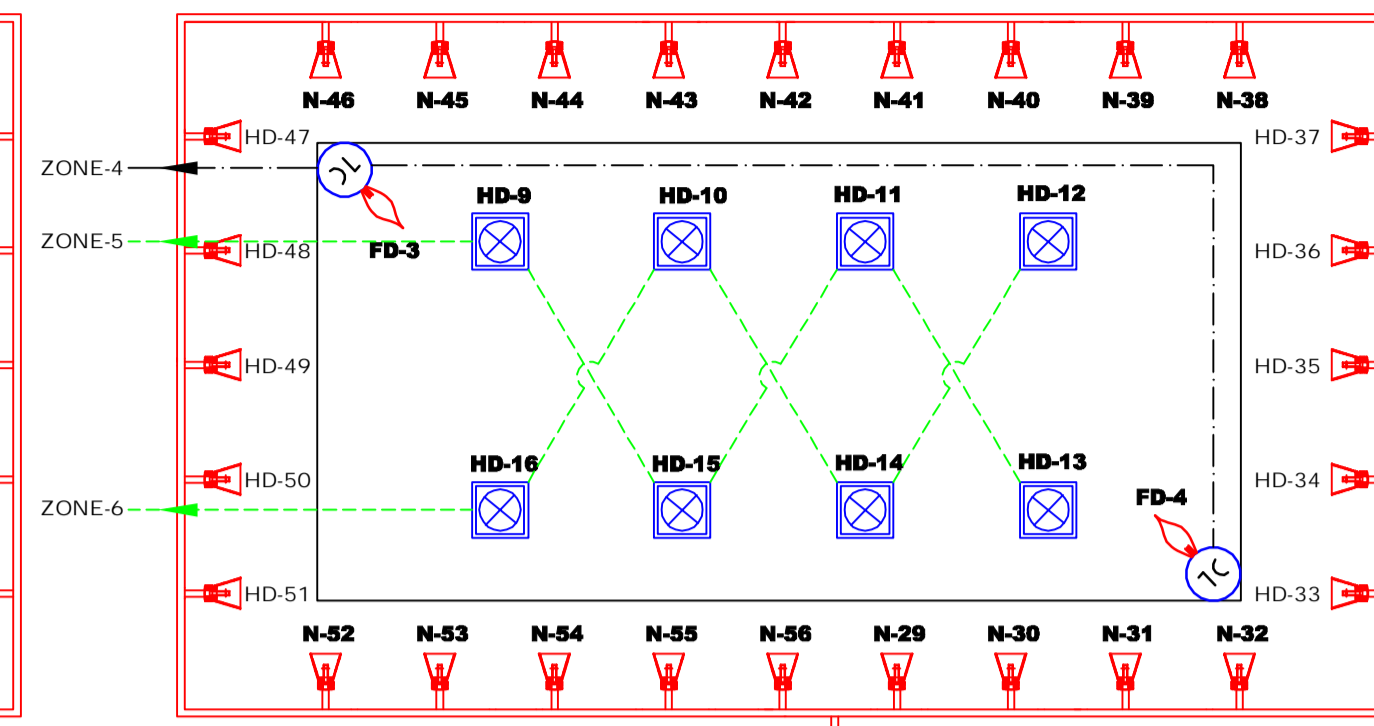


TYPICAL SCHEMATIC DIAGRAM FOR CO2 FIRE SUPPRESSION SYSTEM USING CONVENTIONAL FIRE ALARM PANEL

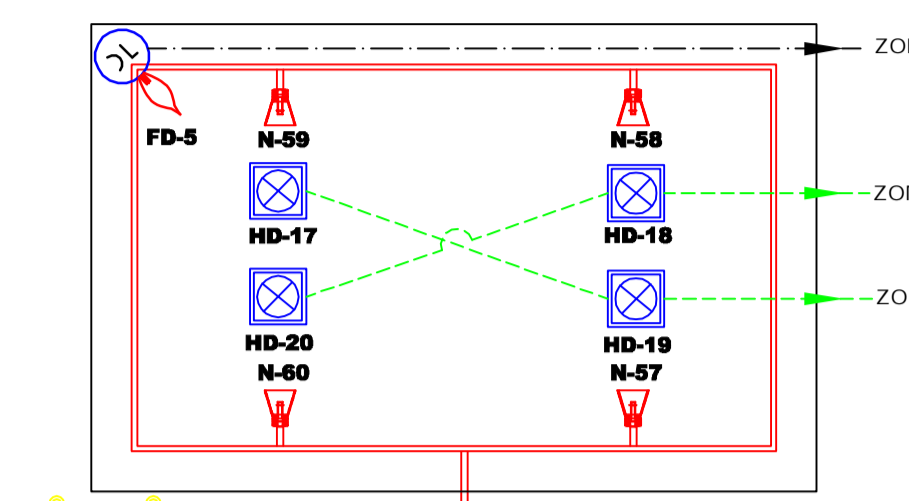
MILL MAIN HOUSING -1



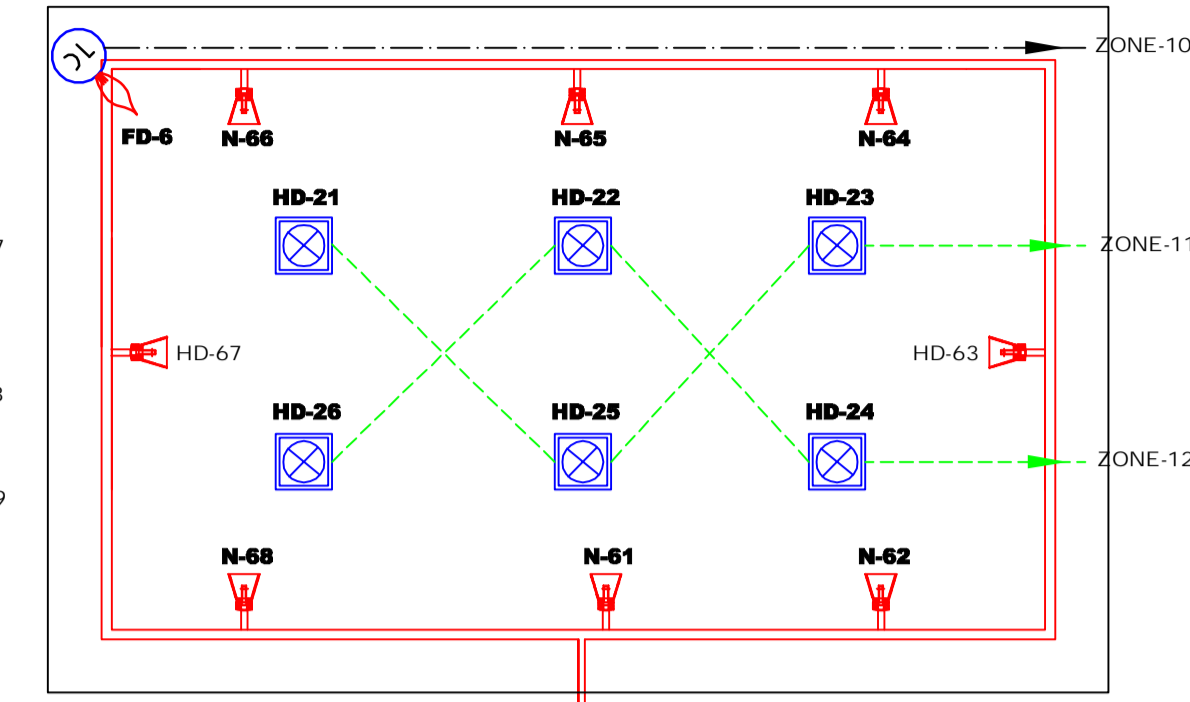
MILL MAIN HOUSING -2



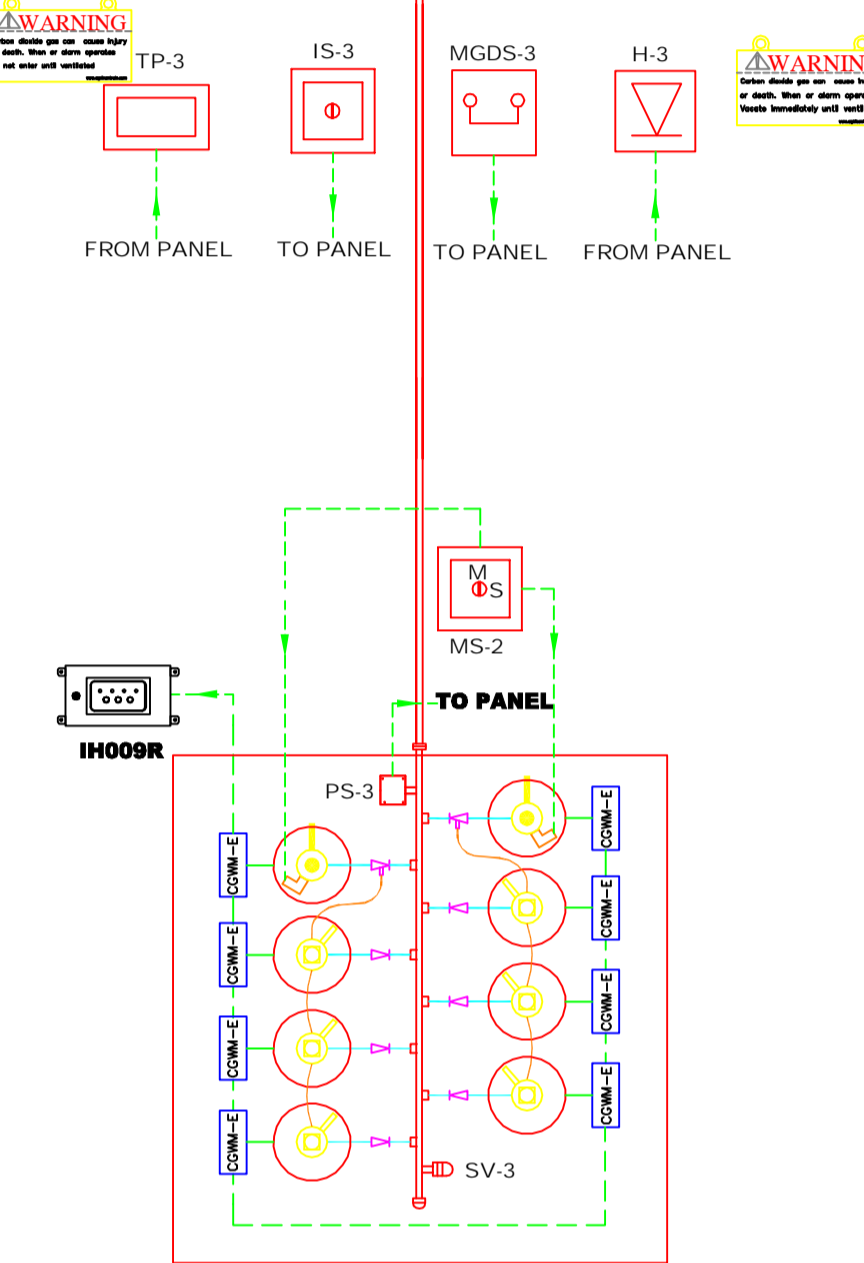
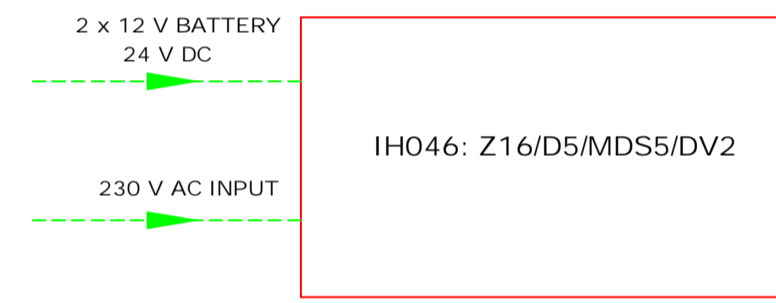
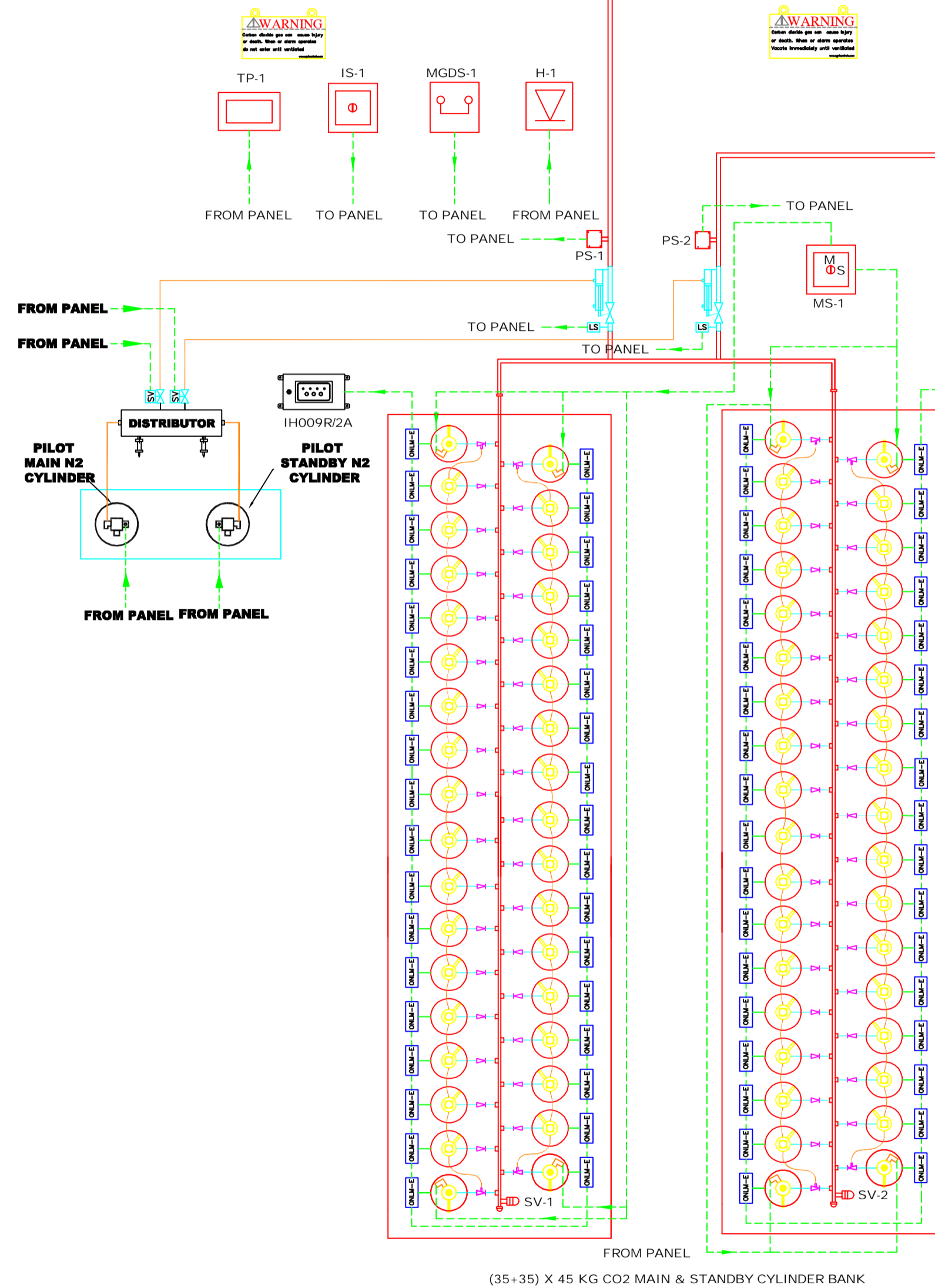
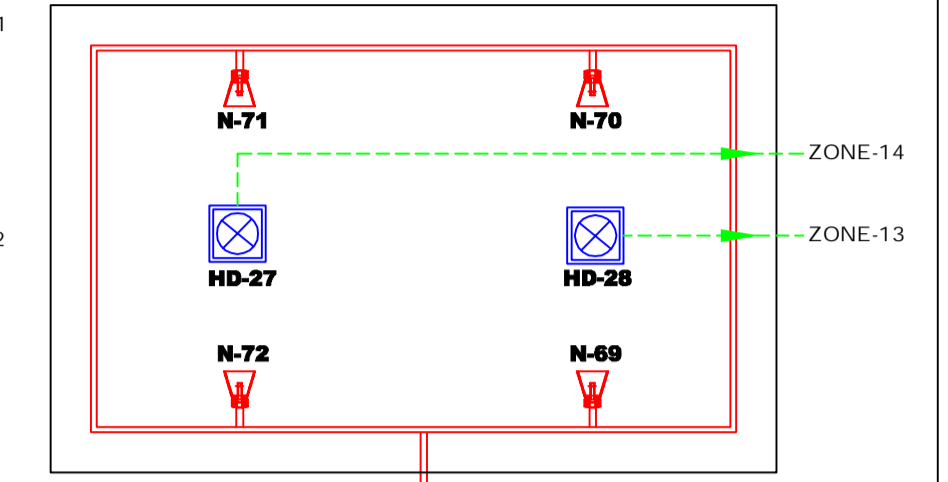
MILL EX ROOM



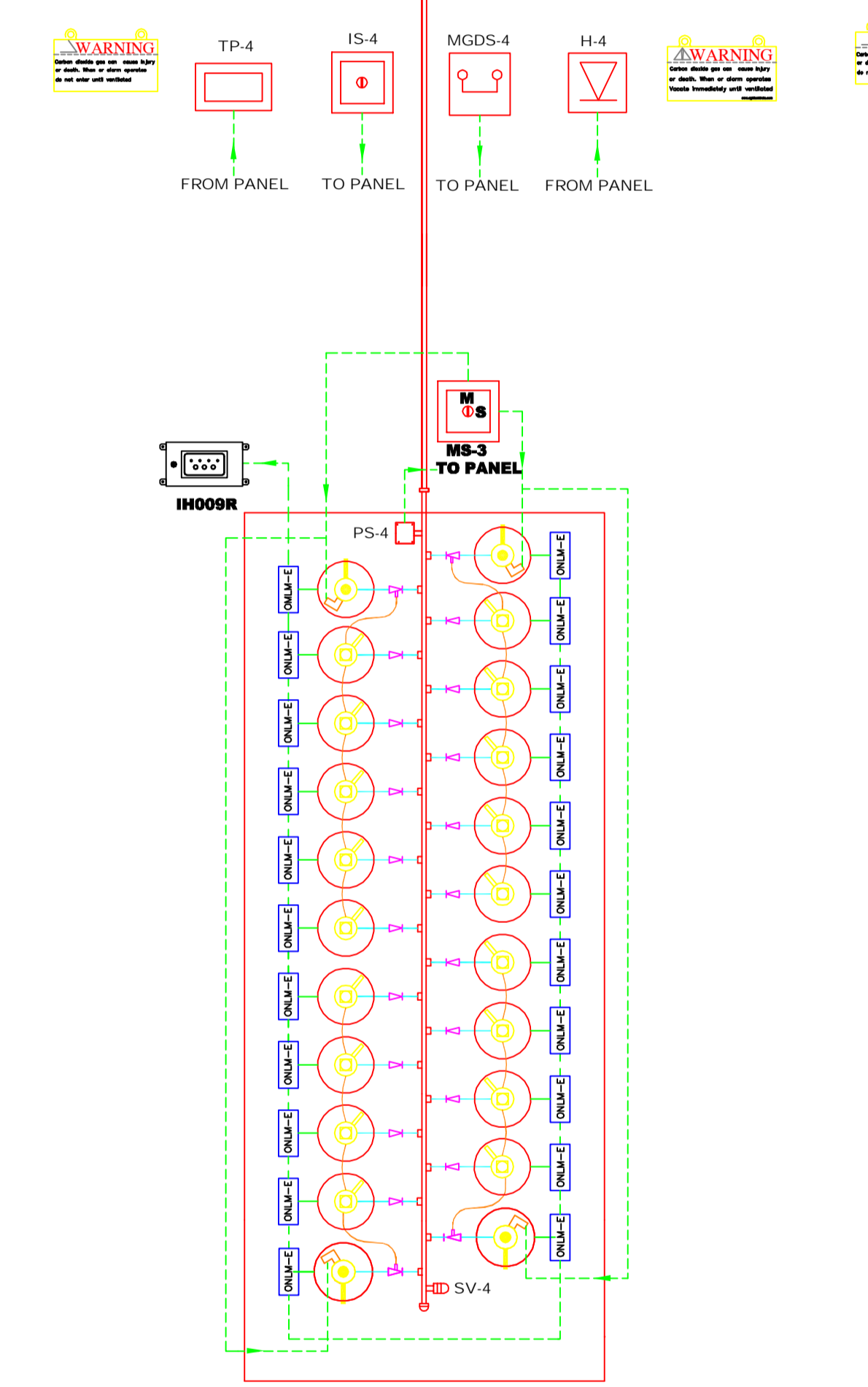
COOLANT FILTER ROOM



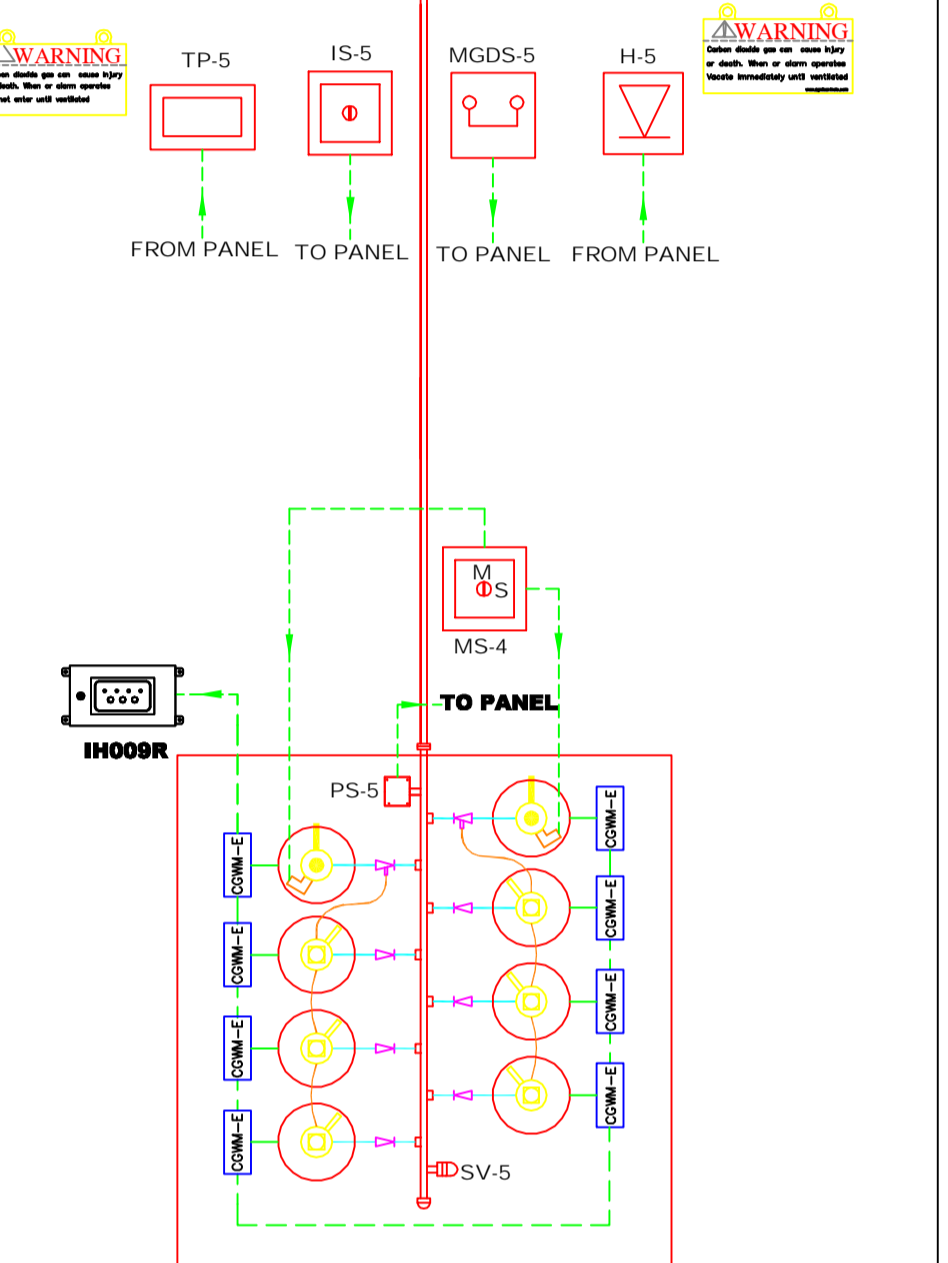
DUCT



(4x4) X 45 KG CO2 MAIN & STANDBY CYLINDER BANK



(11x11) X 45 KG CO2 MAIN & STANDBY CYLINDER BANK



(4x4) X 45 KG CO2 MAIN & STANDBY CYLINDER BANK

Sl. NO.	NUMBERING & SYMBOL	PART NO.	DESCRIPTION	QTY.
01.		BIH001/MV-4868	CO2 CYLINDER MASTER ASSEMBLY	16 NOS.
02.		BIH004/SV-4868	CO2 CYLINDER SLAVE ASSEMBLY	92 NOS.
03.		BIH143-2	WEATHER PROOF PRESSURE SWITCH	5 NOS.
04.		IH138	MANIFOLD SAFETY VALVE	5 NOS.
05.		IH012 & IH014	CO2 NOZZLE WITH CONE HORN AND WITH ADAPTOR	72 NOS.
06.		BIH020	HIGH PRESSURE DISCHARGE HOSE - 400mm	16 NOS.
07.		BIH021	HIGH PRESSURE DISCHARGE HOSE - 350mm	92 NOS.
08.		IH018	NON-RETURN VALVE SUITABLE FOR CO2 MASTER CYLINDER	16 NOS.
09.		IH019	NON-RETURN VALVE SUITABLE FOR CO2 SLAVE CYLINDER	92 NOS.
10.		BIH023	HIGH PRESSURE ACTUATION HOSE - 300mm	76 NOS.
11.		BIH022	HIGH PRESSURE ACTUATION HOSE - 550mm	16 NOS.
12.		BIH381	HIGH PRESSURE ACTUATION HOSE - 1000mm	2 NOS.
13.		BIH454	HIGH PRESSURE ACTUATION HOSE - 2000mm	2 NOS.
14.		IH007R/NI	ONLINE MONITOR ANALOGUE LED TYPE WITH NORMAL INDICATION	108 NOS.
15.		IH009R/2A	ONLINE MONITOR CONTROL PANEL-2 AREA APPLICATION	2 NOS.
16.		IH009R	ONLINE MONITOR CONTROL PANEL	3 NOS.
17.		IH388	SAFETY SIGN BOARD - VACATE IMMEDIATELY	5 NOS.
18.		IH388/1	SAFETY SIGN BOARD -DO NOT ENTER	5 NOS.
19.		IH015-50	50NB DIRECTIONAL VALVE WITH SUPERVISORY LIMIT SWITCH	2 NOS.
20.		IH024/1-2SV	DISTRIBUTOR ASSEMBLY WITH SOLENOID COIL	1 SET.

Sl. NO.	NUMBERING & SYMBOL	PART NO.	DESCRIPTION	QTY.
21.		IH046:Z16/D5/MDS5/ZDV	16 ZONE CONVENTIONAL MODULAR TYPE FIRE ALARM PANEL WITH 5 GAS DISCHARGE MODULE & 5 MANUAL GAS DISCHARGE INDICATION, 2DIRECTIONAL VALVE INDICATION	1 NO.
22.		IH029	MANUAL GAS DISCHARGE STATION	5 NOS.
23.		IH028	INHIBIT SWITCH / ABORT SWITCH	5 NOS.
24.		IH140-ETP	ELECTRICAL TRIP PANEL	5 NOS.
25.		IH147/2	ELECTRONIC DUAL TONE HOOTER WITH FLASHING LAMP FOR INDOOR APPLICATION	5 NOS.
26.		IH042E-60	PROBE TYPE HEAT DETECTOR 60 DEG.C TEMPERATURE	28 NOS.
27.		IH225R	TRIPLE SENSOR FLAME DETECTOR	6 NOS.
28.		IH357	MAIN & STANDBY SELECTOR SWITCH	4 NOS.
29.		BIH217*	C.S SEAMLESS SCH.80 PIPES AS PER ASTM-A-106 GR.B WITH FITTINGS OF SUITABLE *NB SIZES	1LOT.
30.		ES04 049	2CX1.5 SQ.MM CU.ARM'D FRLS CABLE	1LOT.
		ES04 054	4CX1.5 SQ.MM CU.ARM'D FRLS CABLE	1LOT.
31.		BIH302-N2	PILOT N2 CYLINDER 6.8 LITRES WATER CAPACITY	2 NOS.

CLIENT	M/s. VARIA ALUMINUM PVT LTD.,						
PROJECT	CO2 FLOODING SYSTEM FOR VARIA MILL.						
TITLE	TYPICAL SCHEMATIC DIAGRAM FOR CO2 FIRE SUPPRESSION SYSTEM USING CONVENTIONAL FIRE ALARM PANEL						
DRAWING NO:	REV	DESIGNED BY	DESIGN TEAM	11-09-13	SCALE	SHEET NO.	JOB.NO
DP-5.43/13-769	00	APPROVED BY	A.K	11-09-13	N.T.S	2 OF 2	-
ISO 9001 - 2000 CERTIFIED BY BUREAU VERITAS							